

# High Performance & Simplified Data Protection



## DVR Storage Unit

# SVS-5R



The SVS-5R is a high-capacity external storage device, to compliment Samsung Techwin's DVR range. The SVS-5R supports multiple RAID configurations, which offers enhanced data protection, as well as improved availability of data by distribution optimally across the disk array.

- High data transfer rate, up to 3.0 Gbps (SATA II)
- Install up to 4 SATA Hard Disks
- Choose from multiple RAID configurations
- Hot-swappable Disk Drive Bays
- Front LCD for RAID status display
- USB port for RAID configuration

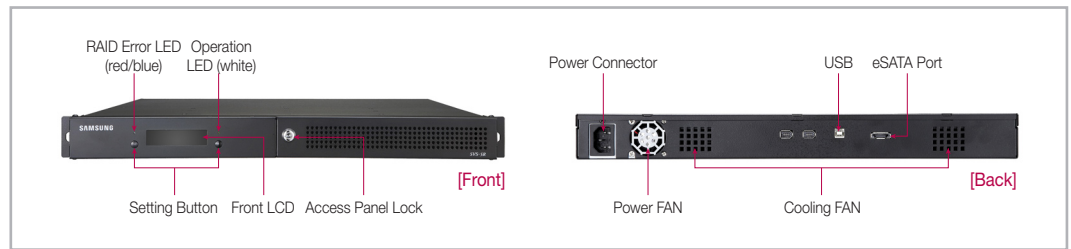
# DVR Storage Unit

# SVS-5R

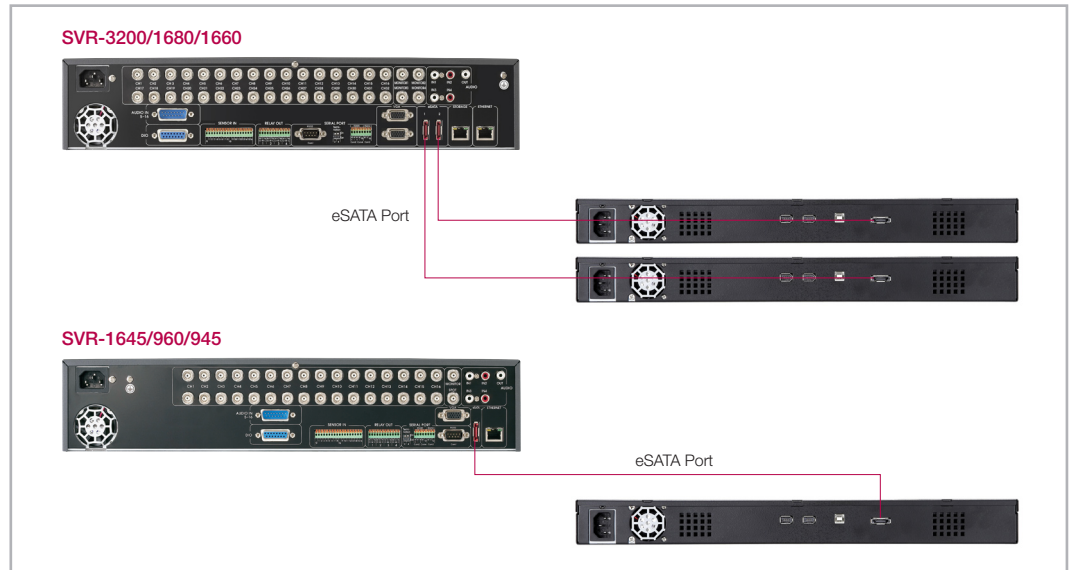
## Specifications

	SVS-5R
Transmission Speed	Up to 3.0Gbps (SATA II)
Maximum Capacity	Up to 4TB
Internal HDD	Up to 4 SATA HDDs (Support Hot-Swap Function)
RAID	RAID 0, 1, 0+1, 5
eSATA	1 External SATA ports for DVR connection
USB	USB 2.0, RAID configuration only
Operating Temperature	+5°C ~ +45°C (+41°F ~ +113°F)
Operating Humidity	20%RH ~ 70%RH
Input Voltage	115 ~ 230V AC ±10%, 50/60 Hz, Autoranging
Dimensions (WxHxD)	482 x 44 x 433mm (18.97" x 1.73" x 17.04")
Weight (4X hard disks)	Approx. 6.4Kg (14.1 lb)
Rack Mount Kit	For mounting one unit in an EIA 19-inch rack
Supported Devices	SVR-3200/1680/1660/1645/960/945
Certifications	FCC (Class A), UL/cUL listed, CE (Class A)

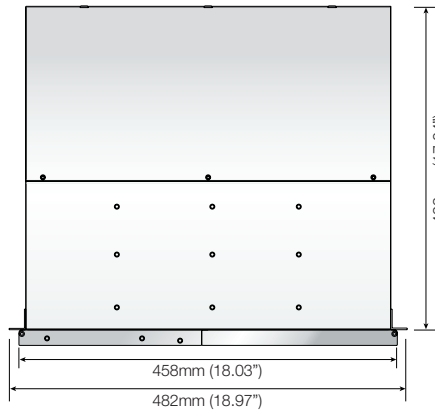
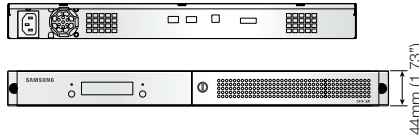
## Component Names



## DVR Connection



## Dimensions Unit: mm (inch)



## \*RAID (Redundant Array of Independent Disks)

RAID technology employs storing redundant data across multiple disk drives to ensure storage reliability against possible data loss. A redundant array of two or more physical disk drives comprises a functional disk drive, the exact setup of which categorizes it into one of the several levels of RAID configurations. RAID 5 is the most common implementation of RAID schemes; it offers a balance of robust data protection and storage capacity by ensuring data integrity against the failure of one physical disk drive.

- **RAID 0:** Distributed data storage for increased access speed and larger storage capacity.
- **RAID 1:** Each physical disk has its own twin, providing high degree of reliability and increased storage capacity.
- **RAID 0+1:** A combination of RAID 0 and RAID 1 configurations.
- **RAID 5:** Data is distributed across three or more disk drives; data recovery is ensured in the event of one disk failure.



Design and specifications are subject to change without notice.



**SAMSUNG TECHWIN CO., LTD.**  
145-3, Sangdaewon 1-dong, Jungwon-gu, Seongnam-si, Gyeonggi-do, KOREA 462-703  
Tel : +82-31-740-8151-8 / Fax : +82-31-740-8145  
www.samsungcctv.com

**SAMSUNG TECHWIN AMERICA INC.**  
1480 Charles Willard St, Carson, CA 90745, UNITED STATES  
Tel Free : +1-877-213-1222 / Fax : +1-310-632-2195  
www.samsungcctvusa.com

**SAMSUNG TECHWIN EUROPE CO., LTD.**  
Samsung House, 1000 Hillswood Drive, Hillswood Business Park  
Chertsey, Surrey, UNITED KINGDOM KT16 0PS  
Tel : +44-1932-45-5300 / Fax : +44-1932-45-5325

**TIANJIN SAMSUNG TECHWIN OPTO-ELECTRONICS CO., LTD.**  
No.11 Wei 6 Street, Micro-Electronic Industrial Park  
Jingang Road, Tianjin, P.R. CHINA 300385  
Tel: +86-22-23887788 / Fax : +86-22-23887788

■ DISTRIBUTED BY