



Instant Capture

12x Optical Zoom
0.2Lux Ultra-Low Light Sensitivity



SCP-2120

12x High Resolution PTZ Dome Camera

- 12x optical zoom (3.9 ~ 46mm), 0.2Lux ultra-low light sensitivity
- Features samsung's W-V DSP chipset
- 1/4" 600TV lines high resolution & coax communication
- 360° continuous rotation, high-speed pan & tilt at 650°/sec



Captured Before You Know It

650° Per Second High-Speed Pan & Tilt for Fast, Accurate Monitoring

SCP-2120

650°/sec

650°/sec High-Speed Pan & Tilt



With high-speed pan and tilt operations at 650° per second, the SCP-2120 captures broad areas quickly and accurately.

Why Choose the SCP-2120



12x Optical Zoom



Equipped with a 12x auto-focus zoom (3.9 ~ 46mm) and a 16x digital zoom, the SCP-2120 achieves a maximum of 192x combined zoom for fast and accurate monitoring.



Normal



Optical 12x Zoom

600TV Lines High Resolution



Samsung's proprietary W-V chipset allows this camera to capture 600TV lines resolution color images or 700TV lines resolution B/W images with superior clarity.



Conventional Camera

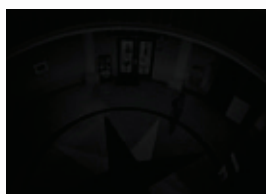


SCP-2120

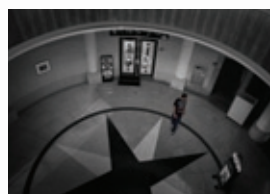
0.2Lux Ultra-Low Light Levels



With ultra-low light levels of 0.2Lux, the SCP-2120 clearly captures objects in very dark conditions down to 0.2Lux.



Conventional Camera



SCP-2120

Discreet Design



Encased in a flush-type chassis and colored simple white, the SCP-2120 can be ceiling-mounted to perfectly blend in with any interior design for discreet monitoring.



255 Presets

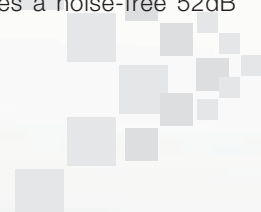


The SCP-2120 is capable of storing up to 255 preset positions.

COAX Communications System & SSNR III



The camera OSD can be accessed remotely via coaxial control, while Samsung's super noise reduction technology (SSNR III) achieves a noise-free 52dB S/N ratio.



12x High Resolution PTZ Dome Camera

SCP-2120

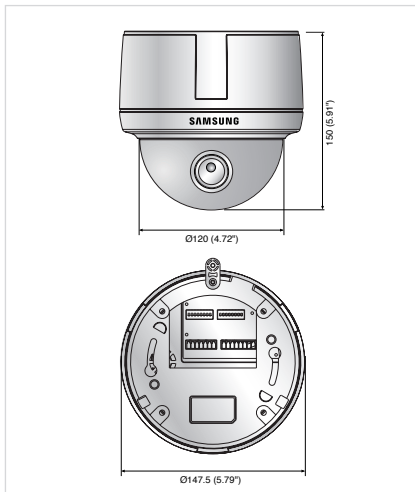


Specifications

| | SCP-2120N (NTSC) | SCP-2120P (PAL) |
|----------------------------------|--|-----------------------------|
| ELECTRICAL | | |
| Input Voltage | 24V AC ±10% | |
| Power Consumption | Max. 12W | |
| VIDEO | | |
| Imaging Device | 1/4" Super HAD CCD | |
| Total Pixels | 811(H) x 508(V) | 795(H) x 596(V) |
| Effective Pixels | 768(H) x 494(V) | 752(H) x 582(V) |
| Scanning System | 2 : 1 Interlace | |
| Synchronization | Internal / AC line lock | |
| Frequency | H : 15.734KHz / V : 59.94Hz | H : 15.625KHz / V : 50Hz |
| Horizontal Resolution | Color : 600TV lines (Min.) / B/W : 700TV lines (Min.) | |
| Min. Illumination | Color : 0.2Lux (50 IRE@F1.67), 0.0004Lux (Sens-up, 512X) / B/W : 0.004Lux (50 IRE@F1.67) | |
| S / N (Y signal) | 52dB | |
| Video Output | CVBS : 1.0Vp-p / 75 composite | |
| LENS | | |
| Zoom Ratio | 12x (Optical), 16x (Digital) | |
| Focal Length | 3.9 ~ 46mm (F1.65 ~ 1.88) | |
| Max. Aperture Ratio | 1 : 1.65(Wide) ~ 1.88(Tele) | |
| Min. Object Distance | 1.8m (5.91ft) | |
| Angular Field of View | H : 51.54°(Wide) ~ 4.49°(Tele) / V : 39.28°(Wide) ~ 3.39°(Tele) | |
| Focus | Auto / Manual / One-push | |
| Zoom Movement Speed | 1.9sec | |
| Iris Control | Auto / Manual | |
| PAN / TILT | | |
| Pan Range | 360° Endless | |
| Pan Speed | Preset : 650°/sec / Manual : 0.024°/sec ~ 120°/sec (Proportional zoom ratio) | |
| Tilt Range | -5° ~ 185° | |
| Tilt Speed | Preset : 650°/sec / Manual : 0.024°/sec ~ 120°/sec (Proportional zoom ratio) | |
| Preset Positions | 255 | |
| Preset Accuracy | ±0.1° | |
| PTZ Mode | Preset, Swing, Group, Tour | |
| OPERATIONAL | | |
| On Screen Display | English, French, German, Spanish, Italian, Chinese, Portuguese, Korean | |
| Camera Title | On / Off (Displayed 15 characters) | |
| Day & Night | Auto (ICR) / Color / B/W | |
| SSDR | On / Off (Level adjustable) | |
| Backlight Compensation | BLC / HLC / Off | |
| Motion Detection | On / Off (8 Programmable zones) | |
| Digital Image Stabilization | On / Off | |
| Privacy Masking | On / Off (12 Programmable zones) | |
| 2D+3D Noise Filter (SSNR III) | On / Off (Level adjustable) | |
| Sens-up (Frame Integration) | Auto / Off (Selectable 2x ~ 512x) | |
| Gain Control | Low / High / Off | |
| White Balance | ATW (In) / ATW (Out) / Manual / AWC | |
| Electronic Shutter Speed | Auto (NTSC : 1/60 ~ 1/120,000sec, PAL : 1/50 ~ 1/120,000) / Manual / A.FLK | |
| Communication | RS-485, Coaxial control | |
| Protocol | Samsung-T, Samsung-E, Pelco-D, Pelco-P, Bosch, Honeywell, Vicon, Panasonic | |
| Alarm | 2 In, 2 Out | |
| Auto Digital Flip | On / Off | |
| ENVIRONMENTAL | | |
| Operating Temperature / Humidity | -10°C ~ +50°C (+14°F ~ +122°F) / 20% ~ 80% RH | |
| MECHANICAL | | |
| Dimension (WxH) | Ø147.5 x 150mm (Ø5.79" x 5.91") | |
| Weight | 1.065Kg (2.35 lb) | |
| Certifications | FCC (Class A), UL/cUL listed | CE (Class A), UL/cUL listed |

Dimensions

Unit : mm (inch)



Controller (Option)



The Eco mark represents Samsung Techwin's will to create environment-friendly products, and indicates that the product satisfies the EU RoHS Directive.

Design and specifications are subject to change without notice.



SAMSUNG TECHWIN CO., LTD.

701, Sampyeong-dong, Bundang-gu, Seongnam-si, Gyeonggi-do Korea 463-400
Tel : +82-70-7147-8741 ~ 8749, 8752-8760 Fax : +82-31-8018-3745
www.samsungsecurity.com www.samsungcctv.com

SAMSUNG TECHWIN AMERICA INC.
1480 Charles Willard St, Carson, CA 90746, UNITED STATES
Tel Free : +1-877-213-1222 Fax : +1-310-632-2195
www.samsungcctvusa.com

SAMSUNG TECHWIN EUROPE LTD.
Samsung House, 1000 Hillwood Drive, Hillwood Business Park
Chertsey, Surrey, UNITED KINGDOM KT16 0PS
Tel : +44-1932-45-5300 Fax : +44-1932-45-5325

TIANJIN SAMSUNG TECHWIN OPTO-ELECTRONICS CO., LTD.
No.11 Wei 6 Street, Micro-Electronic Industrial Park
Jingang Road, Tianjin, P.R. CHINA 300385
Tel : +86-22-23887788 Fax : +86-22-23887788

■ DISTRIBUTED BY

