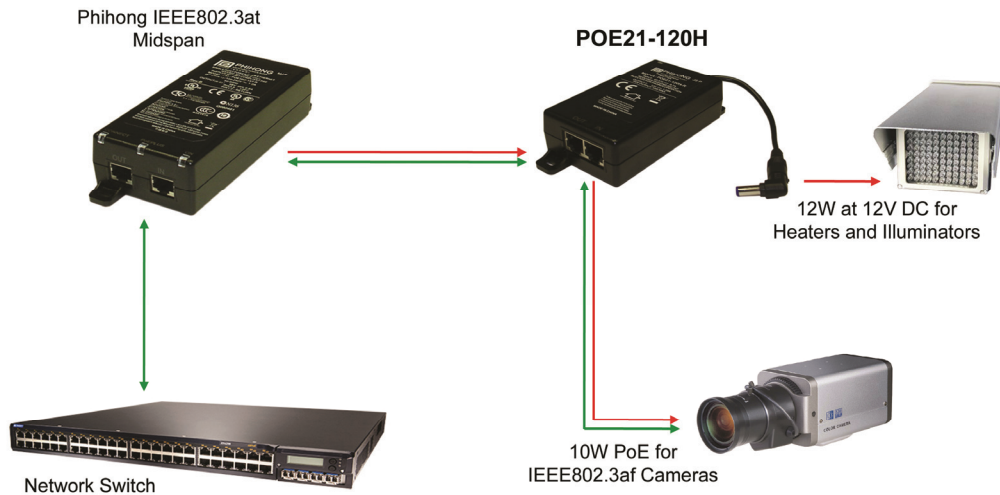




DC-DC Power over Ethernet Splitter 10W for POE Cameras and 12VDC for Heaters, Illuminators



Features

- Connection and DC disconnection per device attached to Data Out
- DC Good LED
- Non-Vented Case
- End device must be IEEE802.3af compatible
- 1 Year Warranty
- Power IEEE802.3af Camera
- DC Power and PoE/Data Output
- Requires Pihong PoE Plus for full functionality
- Gigabit Compatible
- 10W PoE output and 12W DC output at 12VDC

Applications

- IP Cameras Heaters and Illuminators
- Access Controls

Safety Approvals

- CE

Mechanical Characteristics

- Length: 100mm (3.937in)
- Width: 56mm (2.205in)
- Height: 28mm (1.098in)
- Weight: 0.142Kg (0.313lb)

Output Specifications

Model	Output Power		PoE Load		DC Load	
	PoE	DC	Min	Max	Min	Max
POE21-120H-R*	10W	12W at 12V DC	175mA at 57V DC	225mA at 44V DC	0.0A	1A

*Model will not operate without Pihong's IEEE802.3at power injector and can only power an IEEE802.3af compatible end device.

Pihong is not responsible for any error, and reserves the right to make changes without notice. Please visit our website at www.phihong.com for the most up-to-date specifications and contact information.

INPUT:

Unit receives power from Pihong PoE Plus Midspans only using Cat 5e or Cat 6 wiring up to 100 meters per IEEE802.3. For information on PoE Plus Midspans please go to www.midspans.com

DC Input Current

0.7A (DC) and 45VDC at maximum load

DC Input Voltage Rating

45 – 57VDC for 12V

DC OUTPUT:

Regulation

Line and Load ±2%

Ripple

120mV maximum at 25°C

Efficiency

75% minimum at maximum load, 48V input

O/P Voltage Protection

In case of output over voltage overload, crowbar will short. The output can be shorted permanently without damage.

ENVIRONMENTAL:

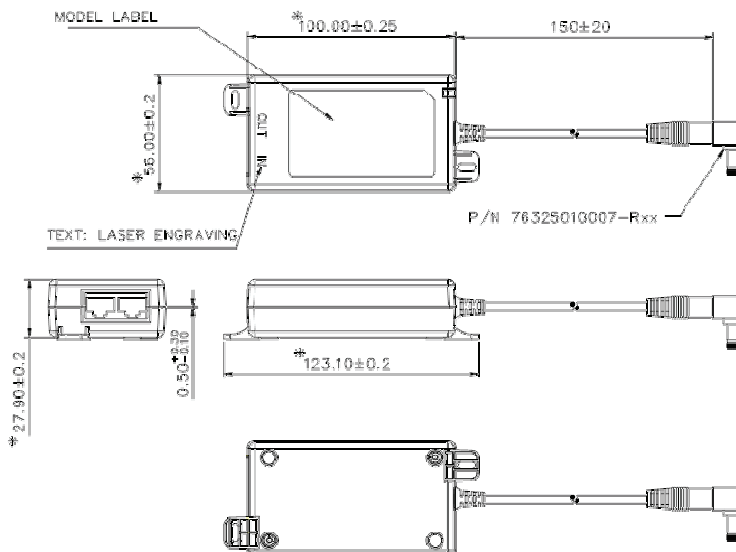
Temperature

Operation 0 to +40°C
 Non-operation -20 to +65°C

Humidity

Operation 5 to 90%

Dimension Diagram Unit: mm



Immunity

ESD: EN61000-4-2. Level 3
 RS: EN61000-4-3. Level 2

Note: RS and ESD tested with POE36U-1AT

EMC

EN55022 Class A
 FCC Part 15, Class A

Dielectric withstand (HI-POT) Test

Primary to secondary: 2121VDC for 1 minute, 10mA

Insulation Resistance

Primary to Secondary: >10M Ohm 500V DC

Indicators

GREEN LED – Output power “ON”

Input and Output Data Connector

RJ45

Output Connector

POE and data RJ45 Jack

DC Output

Center Positive Barrel 12mm x 2.1mm ID x 5.5mm OD
 Tip is user changeable for other sizes

-
-
-

