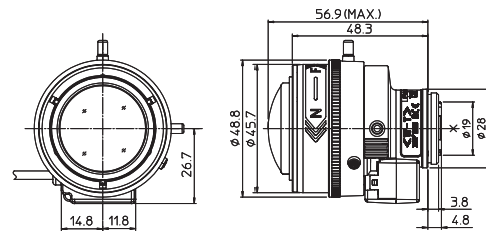


# HD Vari-Focal (2.2-6mm)

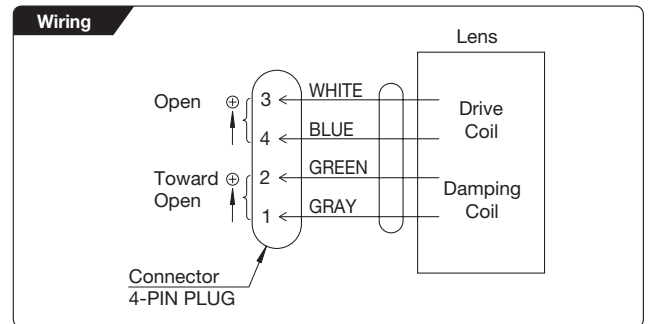
## YV2.7x2.2SR4A-SA2

2.7x Applicable camera (model) 1 2/3 1/2 1/2.7 1/3 1/4 For Security



Unit : mm

YV2.7x2.2SR4A-SA2			
Focal Length (mm)		2.2 - 6 (2.7x)	
Iris Range		F1.3 - T360	
Operation	Zoom	Manual	
	Focus	Manual	
	Iris	Auto (DC type) <sup>*1</sup>	
Angle Of View (HxV)	1/2.7"	WIDE	132°51' × 100°22'
		TELE	50°26' × 37°56'
	1/3"	WIDE	121°4' × 91°20'
		TELE	45°51' × 34°28'
	1/4"	WIDE	91°20' × 68°43'
		TELE	34°28' × 25°53'
Angle Of View (HxV) Aspect Ratio 16 : 9	1/2.7"	WIDE	144°17' × 82°13'
		TELE	54°53' × 31°1'
	1/3"	WIDE	131°34' × 74°46'
		TELE	49°55' × 28°11'
	1/4"	WIDE	99°19' × 56°19'
		TELE	37°31' × 21°12'
Focusing Range (From Front Of The Lens) (m)		∞ - 0.3	
Object Dimensions at M.O.D. (HxV) (mm)	1/2.7"	WIDE	1398 × 731
		TELE	299 × 218
	1/3"	WIDE	1080 × 625
		TELE	269 × 197
	1/4"	WIDE	625 × 417
		TELE	197 × 146
Object Dimensions at M.O.D.(HxV) (mm) Aspect Ratio 16 : 9	1/2.7"	WIDE	1896 × 532
		TELE	329 × 176
	1/3"	WIDE	1358 × 466
		TELE	296 × 159
	1/4"	WIDE	718 × 327
		TELE	216 × 119
Back Focal Distance (in air) (mm)		8.33	
Exit Pupil Position (From Image Plane) (mm)		116	
Filter Thread (mm)		-	
Mount		CS	
Mass (g)		80	
Coil Resistance		Drive Coil	190Ω
		Damping Coil	500Ω
Current Consumption		23mA(Max.) at DC 4V	
Remarks		<ul style="list-style-type: none"> <li>•With Metal Mount</li> <li>(*1) When power is turned off, iris will automatically close.</li> <li>YV2.7x2.2SR4A-SA2L : Long Cable Type (230mm)</li> </ul>	



[Lens Image]



2.2mm



6mm