

STC-N63/P63

In a very compact housing, the STC-N63/P63 cameras employ a high resolution, 1/3" color CCD that produces 480 TV Lines of horizontal resolution. The STC-N63/P63 series cameras are available in cased (with the option of four back panels - BJ, BT, CJ, or CT) and board level.



STC-N63/P63
Image shown not actual size

Features

- 1/3" CCD
- Color
- CS Lens Mount
- 10 Bit DSP
- NTSC & PAL Formats
- Electronic Shutter
- Available in 4 Different Configurations

Specifications >>

Image Sensor:	Color 1/3" (NTSC) 768 (H) x 494 (V) IT CCD (ICX408AK) (PAL) 752 (H) x 582 (V) IT CCD (ICX409AK)
Formats:	NTSC & PAL Formats
Scanning System:	2:1 Interlace
Horizontal Frequency:	NTSC: 15.734 kHz PAL: 15.625 kHz
Vertical Frequency:	NTSC: 59.94 kHz PAL: 50.00 Hz
Horizontal Resolution:	480 TV Lines
DSP (Digital Signal Processing):	10 Bit DSP
Video Out:	Composite Video or Y/C Out (On Select Models)
Gamma:	0.45
White Balance:	ATW
Serial Port:	RS-232C Serial I/O Port (On Select Models)
Sync System:	Internal
Gain:	On
Minimum Illumination (Standard):	0.19 Lux @ F 1.2, 50 IRE
Minimum Illumination (H Version):	0.14 Lux @ F 1.2, 50 IRE
Electronic Shutter:	1/60 (NTSC) 1/50 (PAL) to 1/100,000 second
Fixed Shutter:	1/60 Fixed
Flicker Compensation Mode:	On / Off
Image Reversal Function:	Normal / Mirror
Auto Iris:	Direct Drive Control
Back Light:	On / Off
S/N Ratio:	>48dB (AGC Off)
Lenses:	CS Lens Mount (C-Mount with an adapter)
Power Supply:	12V DC
Power Consumption:	150mA
Operating Temperature:	-10°C ~ 45°C (14°F ~ 113°F)
Storage Temperature:	-30°C ~ 60°C (-22°F ~ 140°F)
Weight:	65g (2.29 oz.)
Dimensions:	36 (W) x 36 (H) x 37.35 (D) mm (1.44" x 1.44" x 1.49")

>> STC-N63/P63

Configurations



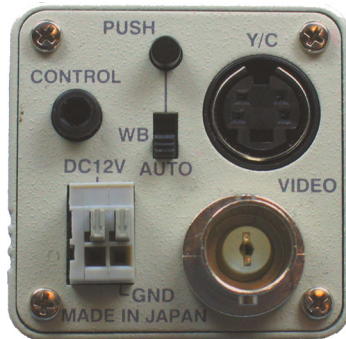
BJ Model



BT Model



CJ Model

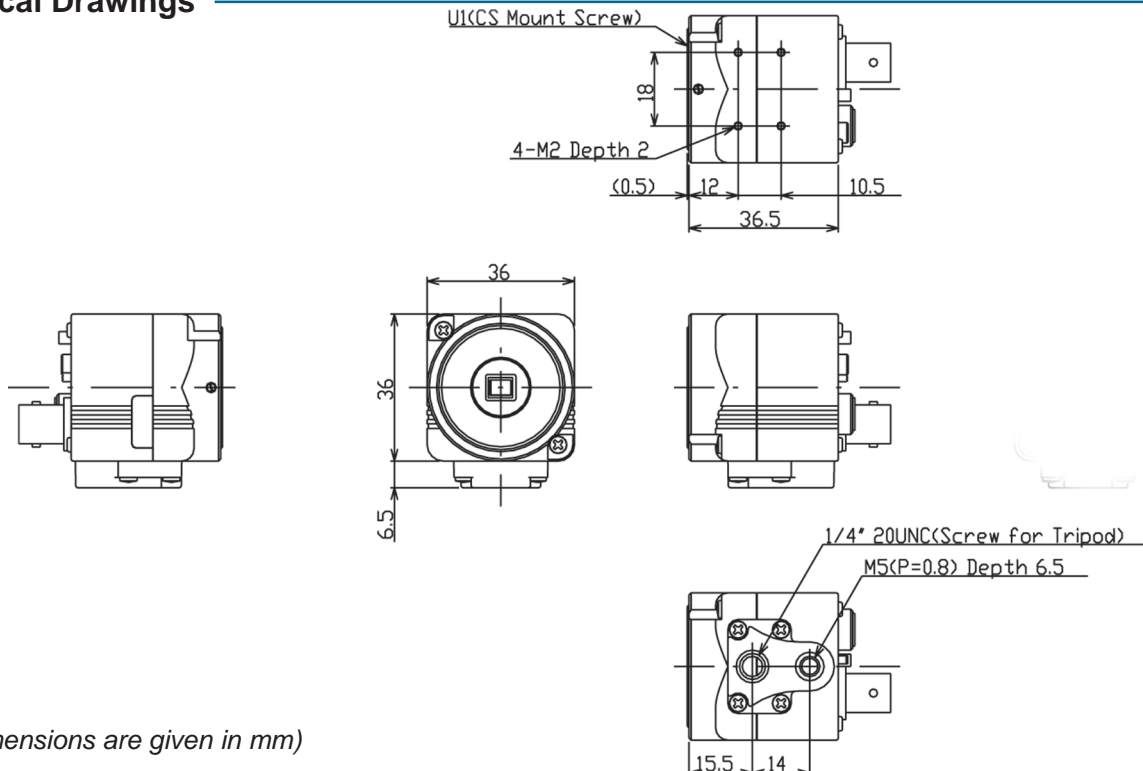


CT Model



CC Model

Mechanical Drawings



Note: (Dimensions are given in mm)