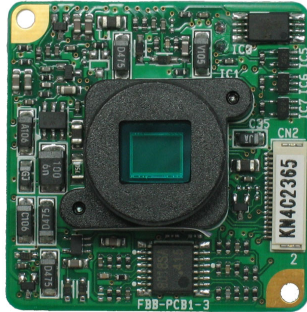
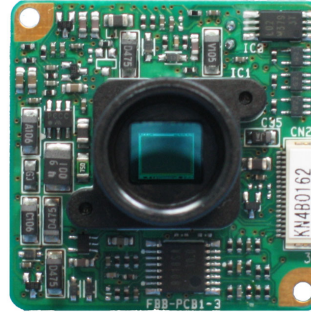


STC-N63/P63

The STC-N63 (NTSC Version) / P63 PAL Version) series offers high resolution, 1/3" color CCD (480 TV Lines) in a very compact board configuration (32 X 32 mm). These low cost cameras offer, as an option, user programmable DSP and setup.



STC-N63/P63



STC-N63/P63L

Images shown not actual size

Features

- 1/3" CCD
- Compact
- Cost Effective
- NTSC & PAL Formats
- Internal Sync
- Seven Lens Options
- Electronic Shutter

Specifications >>

Image Sensor:	Color 1/3" (NTSC) 768 (H) x 494 (V) IT CCD (ICX408AK) (PAL) 752 (H) x 582 (V) IT CCD (ICX409AK)
Formats:	NTSC & PAL
Scanning System:	2:1 Interlace
Horizontal Frequency:	NTSC: 15.734 kHz PAL: 15.625 kHz
Vertical Frequency:	NTSC: 59.94 Hz PAL: 50.00 Hz
Horizontal Resolution:	480 TV Lines
DSP (Digital Signal Processing):	10 Bit DSP
Video Out:	Composite Video or Y/C Out (On Select Models)
Gamma:	0.45
White Balance:	ATW
Serial Port:	RS-232C Serial I/O Port (On Select Models)
Sync System:	Internal
Gain:	On
Minimum Illumination (Standard):	0.19 Lux @ F 1.2, 50 IRE
Minimum Illumination (H Version):	0.14 Lux @ F 1.2, 50 IRE
Electronic Shutter:	1/60 (NTSC) 1/50 (PAL) to 1/100,000 second
Fixed Shutter:	1/60 Fixed
Flicker Compensation Mode:	On / Off
Image Reversal Function:	Normal / Mirror
Auto Iris:	Direct Drive Control
Back Light:	On / Off
S/N Ratio:	>48dB (AGC Off)
Lenses:	CS Lens Mount (C-Mount with an adapter)
Power Supply:	12V DC
Power Consumption:	150mA
Operating Temperature:	-10°C ~ 45°C (14°F ~ 113°F)
Storage Temperature:	-30°C ~ 60°C (-22°F ~ 140°F)
Dimensions:	32 (W) x 32 (H) x 9.3 (D) mm (1.28" x 1.28" x .37")
Weight:	12g (.42 oz.)

* Cable harnesses for power and other input and output signals are provided with each Sentech board camera.

>> STC-N63/P63

Lenses & Mounts

Color Board Camera Lenses

The following lenses are available for all color board cameras.

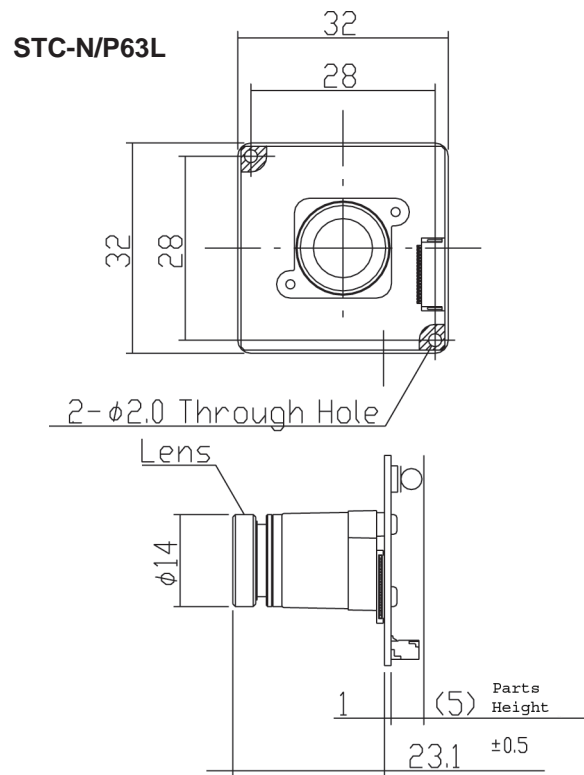
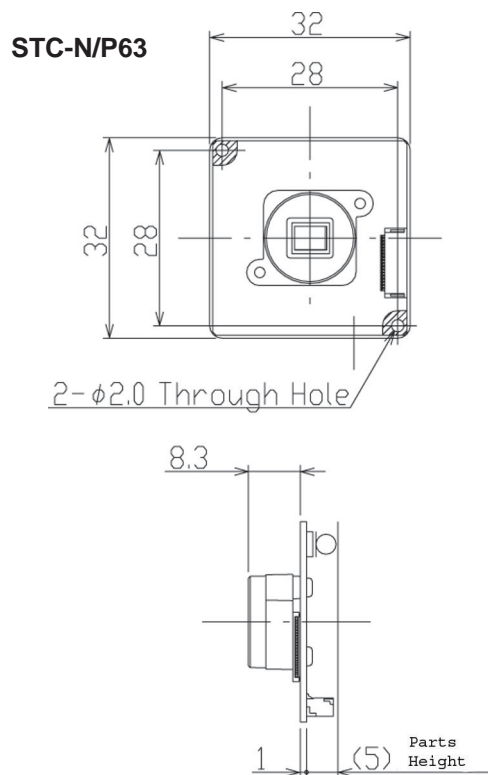
Custom lenses can also be built. CS and C Mount lenses also available.

Model No.	Focal Length
LEN-C2.3	2.3mm
LEN-CB2.7	2.7mm
LEN-C4	4.0mm
LEN-C6	6.0mm
LEN-C8	8.0mm

Lens Mounts

The CS version of the camera is configured with a standard CS lens mount. By using a C-Mount adapter ring, the CS mount can be converted to a C-Mount. These configurations will allow most CS or C Mount lenses to be used with this camera.

Mechanical Drawings



Note: (Dimensions are given in mm)