



MBE Series Camera Brackets and Mounts

- ▶ **Heavy-duty aluminum construction**
- ▶ **Semi-gloss polyester powder-coat finish**
- ▶ **Suitable for wall or pole applications**
- ▶ **Adapter plates feature versatile hole patterns for attaching a host different brackets**

The MBE series of bracket mounts and mounting adapters secure an EX27 All-Weather Camera or the REG-D1 or the REG-L1 License Plate Camera to a wall or to a pole along with an EXMB.020B Heavy Duty L Bracket for mounting illuminators.

Each bracket and adapter is made of rugged, aluminum and features a semi-gloss polyester powder coat finish.

MBE Series Mounting Brackets

Each MBE mounting bracket can be secured directly to a wall. For added strength and mounting flexibility, the mounting brackets can be used with the MBE-15 or MBE-17 adapter plates.

MBE Series Adapter Plates

The MBE adapter plates provide a versatile platform to mount the MBE mounting brackets along with an EXMB.020B Heavy Duty L Bracket. Thick aluminum plate construction is powder coated black.

MBE-15B / MBE-15W: a black or white adapter used to attach an MBE-27 or MBE-28, along with an EXMB.020B Heavy Duty L Bracket, to a pole. Two metal bands and two quick-release/engage gear clamps are provided for poles up to 203 mm (8 in) in diameter. Additional bands can be used for installations on larger poles.

This adapter can also accommodate the EXMB.028 Cable Managed Wall Bracket or the EXMB.023 Wall Bracket.

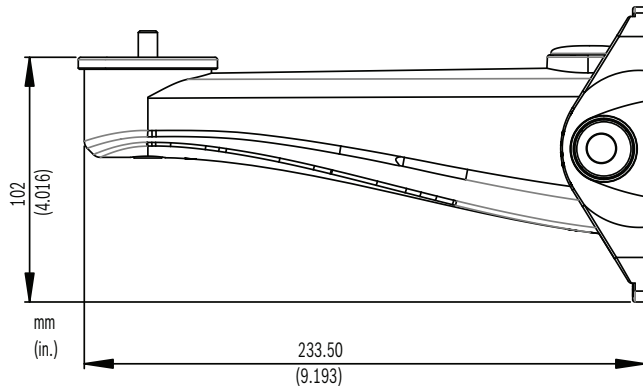
MBE-17B / MBE-17W: a black or white adapter used to attach an MBE-27 or an MBE-28, along with an EXMB.020B Heavy Duty L-Bracket, to a wall. This adapter can also accommodate the EXMB.028 Cable Managed Wall Bracket or the EXMB.023 Wall Bracket.

Functions

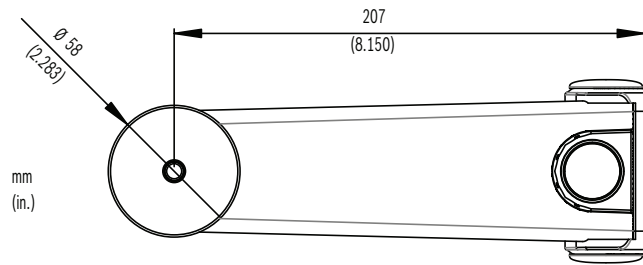
MBE-27B / MBE-27W: a black or white mounting bracket for use with an EX27 Series All-Weather Camera.

MBE-28B: a black mounting bracket for use with the REG-D1 or the REG-L1 License Plate Camera.

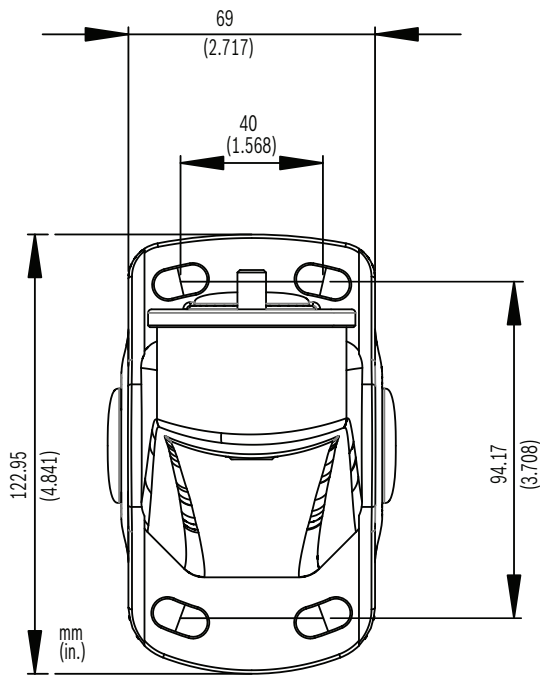
Installation/Configuration Notes



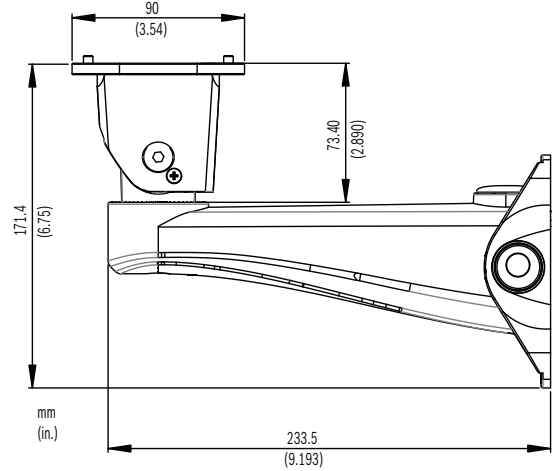
MBE-27B / MBE-27W, side view



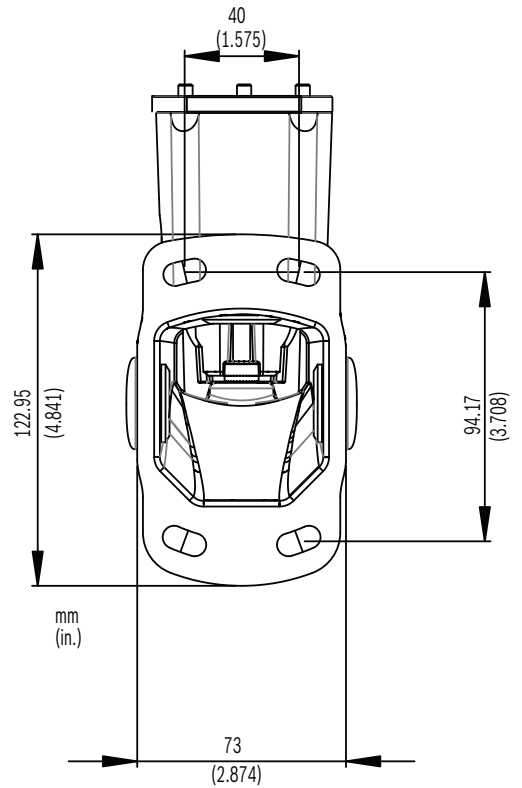
MBE-27B / MBE-27W, top view



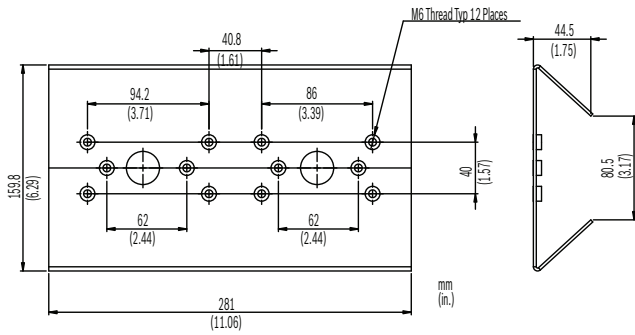
MBE-27B / MBE-27W, rear view



MBE-28B, side view



MBE-28B, rear view

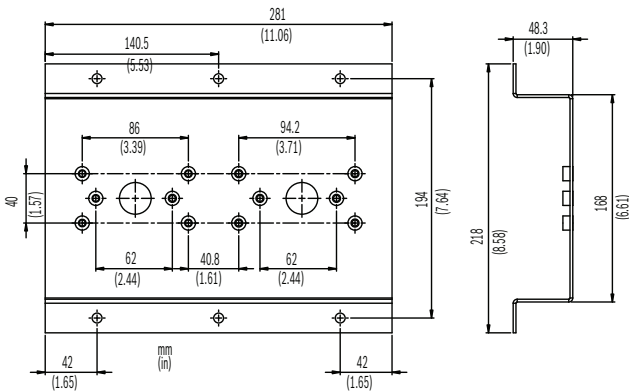


- | Quant. | Component |
|--------|--|
| 1 | Pole mount adapter plate, black or white |
| 2 | Metal bands with gear clamps |
| 4 | M6 x 20 mm bolts |
| 4 | M6 flat washers |

MBE-17B / MBE-17W Wall Mount Adapter

- | Quant. | Component |
|--------|--|
| 1 | Wall mount adapter plate, black or white |
| 4 | M6 x 20 mm bolts |
| 4 | M6 flat washers |

MBE-15B / MBE-15W



Technical Specifications

MBE-27B / MBE-27W

| | |
|-----------------------|--|
| Weight | 0.4 kg (1.0 lb) |
| Maximum Load | 25 kg (55 lb) |
| Dimension (W x H x L) | 69 x 122.95 x 233.5 mm (2.72 x 4.84 x 9.19 in.) |
| Color | MBE-27B: Black (RAL 9005) MBE-27W: White (RAL 9010) |
| Finish | Semi-gloss polyester powder coat |

MBE-28B

| | |
|-----------------------|---|
| Weight | 0.4 kg (1.0 lb) |
| Maximum Load | 25 kg (55 lb) |
| Dimension (W x H x L) | 73 x 170.9 x 233.5 mm (2.87 x 6.73 x 9.19 in.) |
| Color | Black (RAL 9005) |
| Finish | Semi-gloss polyester powder coat |

MBE-17B / MBE-17W

Parts Included

MBE-27B / MBE-27W Wall Mount Bracket

- | Quant. | Component |
|--------|--------------------------------------|
| 1 | Bracket arm for EX27, black or white |
| 1 | #6 hex key |
| 1 | EX27 interface plate |
| 1 | M8 x 45 mm bolt |

MBE-28B Wall Mount Bracket

- | Quant. | Component |
|--------|--------------------------------------|
| 1 | Bracket arm for REG-D1/REG-L1, black |
| 1 | #4 hex key |
| 1 | #6 hex key |
| 6 | M5 x 10 mm bolts |
| 6 | M5 plastic captive washers |

MBE-15B / MBE-15W Pole Mount Adapter

MBE-15B / MBE-15W

| | |
|-----------------------|--|
| Weight | 0.75 kg (1.66 lb) |
| Maximum Load | 90 kg (200 lb) |
| Maximum Pole Diameter | 203 mm (8 in.) |
| Minimum Pole Diameter | 89 mm (3.5 in.) |
| Dimension (W x H x L) | 44.5 x 159.8 x 281 mm (1.75 x 6.29 x 11.06 in.) |
| Color | MBE-15B: Black (RAL 9005) MBE-15W: White (RAL 9010) |
| Finish | Semi-gloss polyester powder coat |

MBE-17B / MBE-17W

| | |
|-----------------------|--|
| Weight | 0.89 kg (1.97 lb) |
| Maximum Load | 45 kg (100 lb) |
| Dimension (W x H x L) | 48.3 x 194 x 281 mm (1.9 x 7.64 x 11.06 in.) |
| Color | MBE-17B: Black (RAL 9005) MBE-17W: White (RAL 9010) |
| Finish | Semi-gloss polyester powder coat |

Ordering Information

MBE-15W White Pole Mount Adapter Plate **MBE-15W**

White adapter plate used to attach an MBE-27 or MBE-28 along with an EXMB.020B Heavy Duty L Bracket to a pole.

MBE-15B Black Pole Mount Adapter Plate **MBE-15B**

Black adapter plate used to attach an MBE-27 or MBE-28 along with an EXMB.020B Heavy Duty L Bracket to a pole.

MBE-17W White Wall Mount Adapter Plate **MBE-17W**

White adapter plate used to attach an MBE-27 or MBE-28 along with an EXMB.020B Heavy Duty L Bracket to a wall.

MBE-17B Black Wall Mount Adapter Plate **MBE-17B**

Black adapter plate used to attach an MBE-27 or MBE-28 along with an EXMB.020B Heavy Duty L Bracket to a wall.

MBE-27W White Bracket Arm Mount **MBE-27W**

White mounting bracket for use with an EX27 Series All-Weather Camera

MBE-27B Black Bracket Arm Mount **MBE-27B**

Black mounting bracket for use with an EX27 Series All-Weather Camera

MBE-28B Black Bracket Arm Mount **MBE-28B**

Black mounting bracket for use with the REG-D1 or the REG-L1 License Plate Camera

Accessories

EXMB.020B L-bracket **EXMB.020B**

L-Bracket Only, Heavy Duty, black

Americas:
Bosch Security Systems, Inc.
130 Perinton Parkway
Fairport, New York, 14450, USA
Phone: +1 800 289 0096
Fax: +1 585 223 9180
security.sales@us.bosch.com
www.boschsecurity.us

Europe, Middle East, Africa:
Bosch Security Systems B.V.
P.O. Box 80002
5600 JB Eindhoven, The Netherlands
Phone: + 31 40 2577 284
Fax: +31 40 2577 330
emea.securitysystems@bosch.com
www.boschsecurity.com

Asia-Pacific:
Robert Bosch (SEA) Pte Ltd, Security Systems
11 Bishan Street 21
Singapore 573943
Phone: +65 6571 2808
Fax: +65 6571 2699
apr.securitysystems@bosch.com
www.boschsecurity.asia

Represented by