

SENTECH

FS-B2KU7CL

FS-B4KU7CL

FS-B4KU35CL

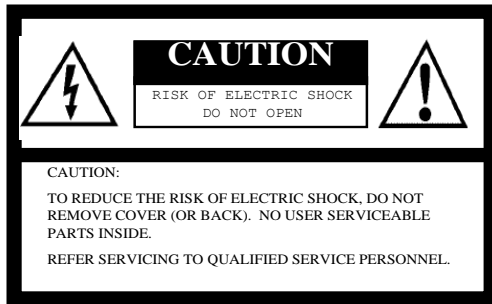
FS-B8KU7CL

FS-B8KU35CL

FS-B16KU35CL

Monochrome Line Scanning
Camera Link Camera

Safety Precautions



The lightning flash with arrowhead symbol, within an equilateral triangle, is intended to alert the user to the presence of uninsulated “dangerous voltage” within the product’s enclosure that may be of sufficient magnitude to constitute a risk of electric shock to persons.



The exclamation point within an equilateral triangle is intended to alert the user to the presence of important operating and maintenance (servicing) instructions in the literature accompanying the appliance.

For U.S.A.

Warning:

This equipment generates and uses radio frequency energy and if not installed and used properly, i.e., in strict accordance with the instruction manual, may cause harmful interference to radio communications. It has been tested and found to comply with the limits for a Class A computing device pursuant to Subpart J of Part 15 of FCC Rules, which are designed to provide reasonable protection against such interference when operated in a commercial environment.

For Canada

Warning:

This digital apparatus does not exceed the Class A limits for radio noise emissions from digital apparatus set out in the Radio Interference Regulations of the Canadian Department of Communications.

WARNING:

TO PREVENT FIRE OR SHOCK HAZARD, DO NOT EXPOSE THIS APPLIANCE TO RAIN OR MOISTURE.

Product Precautions

- Handle the camera with care. Do not abuse the camera. Avoid striking or shaking it. Improper handling or storage could damage the camera.
- Do not pull or damage the camera cable.
- During camera use, do not wrap the unit in any material. This will cause the internal temperature of the unit to increase.
- Do not expose the camera to moisture, or do not try to operate it in wet areas.
- Do not operate the camera beyond its temperature, humidity and power source ratings.
- While the camera is not being used, keep the lens or lens cap on the camera to prevent dust or contamination from getting in the CCD or filter area and scratching or damaging this area.
- Do not keep the camera under the following conditions:
 - In wet, moist, and high humidity areas
 - Under hot direct sunlight
 - In high temperature areas
 - Near an object that releases a strong magnetic or electric field
 - Areas with strong vibrations
- Use a soft cloth to clean the camera. Use pressured air spray to clean the surface of the glass. DO not scratch the surface of the glass.

Copyright & Disclaimer

Sensor Technologies America, Inc. (DBA Sentech America) believes the contents and specifications of its website, catalog, documentation and ads are correct; however, Sentech America provides no representation or warranty regarding such information or product(s) contained therein. It is requested that Sentech America be given appropriate acknowledgement in any subsequent use of such work by a third party.

While every effort has been made to ensure that the details contained in Sentech America's website and all documentation are correct and up-to-date, Sentech America assumes no liability, legal or otherwise for any errors in listings, specifications, part numbers, process, software or model applications. Sentech America reserves the right to change specifications, product descriptions, product quality, pricing and application at any time without prior written or oral notice. Any party using such information assumes all risk for any and all damaged caused to themselves, a third party and/or property by virtue of incorrect information and/or failure of these products. By installing and/or using a Sentech America software development kit or other similar product and/or information obtained from Sentech America's website, catalog, documentation or ads, you hereby accept and understand these stated terms and conditions.

Contents

| | |
|--|-------|
| I. Electronic Specifications / Mechanical Specifications / Environmental Specifications..... | 5-6 |
| II. Product Numbering | 7 |
| III. Connector Specifications | 8-13 |
| IV. Timing Chart | 14-15 |
| A. Exposure Time | 14-16 |
| V. Output Mode..... | 17-29 |
| VI. Communication Settings | 30-33 |
| VII. Command Description..... | 34-40 |
| VIII. Others..... | 41-42 |
| A. Outline on the camera memories-related CPU..... | 41 |
| B. Outline on the camera memories-related FFC..... | 42 |
| IX. Test Patterns..... | 43-45 |
| X. Quantum Efficiency | 46 |
| XI. Dimensions | 47-49 |

I. Electronic Specifications / Mechanical Specifications / Environmental Specifications

| Product | | FS-B16KU35CL | FS-B8KU7CL | FS-B8KU35CL | FS-B4KU7CL | FS-B4KU35CL | FS-B2KU7CL |
|--------------------|--------------------|---|---------------------------------------|---|---------------------------------------|---|---------------------------------------|
| Image Sensor | | 16k CMOS image sensor DR-16k-3.5 (AWAIBA) | 8k CMOS image sensor DR-8k-7 (AWAIBA) | 8k CMOS image sensor DR-8k-3.5 (AWAIBA) | 4k CMOS image sensor DR-4k-7 (AWAIBA) | 4k CMOS image sensor DR-4k-3.5 (AWAIBA) | 2k CMOS image sensor DR-2k-7 (AWAIBA) |
| Active Pixels | | 16,384 pixels | 8,192 pixels | | 4,096 pixels | | 2,048 pixels |
| Pixel Size | | 3.5 (H) x 3.5 (V) um (3.5 um pitch) | 7 (H) x 7 (V) um (7 um pitch) | 3.5 (H) x 3.5 (V) um (3.5 um pitch) | 7 (H) x 7 (V) um (7 um pitch) | 3.5 (H) x 3.5 (V) um (3.5 um pitch) | 7 (H) x 7 (V) um (7 um pitch) |
| Photo Array Length | | 57.344 mm | | 28.672 mm | | 14.336 mm | |
| Total Data Rate | Camera Link Full | 85MHz x 8 TAP | 680 MHz | | | | |
| | | 80MHz x 8 TAP | 640 MHz | | | | |
| | | 50MHz x 8 TAP | 400 MHz | | | | |
| | Camera Link Medium | 85MHz x 4 TAP | 340 MHz | | | | |
| | | 80MHz x 4 TAP | 320 MHz | | | | |
| | | 50MHz x 4 TAP | 200 MHz | | | | |
| | Camera Link Base | 85MHz x 2 TAP | 170 MHz | | | | |
| | | 80MHz x 2 TAP | 160 MHz | | | | |
| | | 50MHz x 2 TAP | 100 MHz | | | | |
| Maximum Line Rate | Camera Link Full | 85MHz x 8 TAP | 40kHz | 80kHz | | | |
| | | 80MHz x 8 TAP | 38.5kHz | 75kHz | | | |
| | | 50MHz x 8 TAP | 24kHz | 47kHz | | | |
| | Camera Link Medium | 85MHz x 4 TAP | 20.5kHz | 40kHz | 80kHz | | |
| | | 80MHz x 4 TAP | 19kHz | 38kHz | 75kHz | | |
| | | 50MHz x 4 TAP | 12kHz | 24kHz | 47kHz | | |
| | Camera Link Base | 85MHz x 2 TAP | 10kHz | 20kHz | 40kHz | 80kHz | |
| | | 80MHz x 2 TAP | 9.5kHz | 19kHz | 38kHz | 75kHz | |
| | | 50MHz x 2 TAP | 6kHz | 12kHz | 24kHz | 47kHz | |
| Video Output | Camera Link Full | 8 bit | | | | | |
| | Camera Link Medium | 8 bit / 10 bit | | | | | |
| | Camera Link Base | 8 bit / 10 bit | | | | | |
| Power | Input Voltage | +12 Vdc to +24 Vdc | | | | | |
| | Consumption | 7.2W (TYP) | 4.3W (TYP) | | 2.8W (TYP) | | |
| Communication | | RS232 via Camera Link connector | | | | | |
| Functions | | Anti-Blooming High Speed Exposure Control External Trigger Control Field Flat Correction (FFC) | | | | | |

Optical Specifications

| Product | FS-B16KU35CL | FS-B8KU7CL | FS-B8KU35CL | FS-B4KU7CL | FS-B4KU35CL | FS-B2KU7CL |
|--------------------------------------|---------------------|----------------------|---------------------|----------------------|---------------------|----------------------|
| Fill Factor | 100% | | | | | |
| Responsivity (except opck=11) gbdt=1 | 9DN/nj/cm2 (@8bit) | 19DN/nj/cm2 (@8bit) | 9DN/nj/cm2 (@8bit) | 19DN/nj/cm2 (@8bit) | 9DN/nj/cm2 (@8bit) | 19DN/nj/cm2 (@8bit) |
| Responsivity (except opck=11) gbdt=0 | 38DN/nj/cm2 (@8bit) | 77DN/nj/cm2 (@8bit) | 38DN/nj/cm2 (@8bit) | 77DN/nj/cm2 (@8bit) | 38DN/nj/cm2 (@8bit) | 77DN/nj/cm2 (@8bit) |
| Responsivity (opck=11) gbdt=1 | 19DN/nj/cm2 (@8bit) | 38DN/nj/cm2 (@8bit) | 19DN/nj/cm2 (@8bit) | 38DN/nj/cm2 (@8bit) | 19DN/nj/cm2 (@8bit) | 38DN/nj/cm2 (@8bit) |
| Responsivity (opck=11) gbdt=0 | 77DN/nj/cm2 (@8bit) | 155Dn/nj/cm2 (@8bit) | 77DN/nj/cm2 (@8bit) | 155Dn/nj/cm2 (@8bit) | 77DN/nj/cm2 (@8bit) | 155Dn/nj/cm2 (@8bit) |

Mechanical Specifications

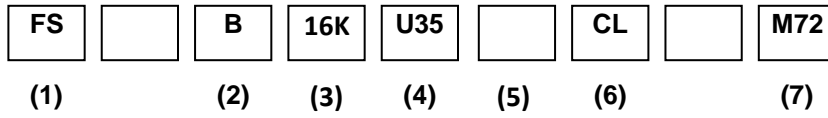
| Product | FS-B16KU35CL | FS-B8KU7CL | FS-B8KU35CL | FS-B4KU7CL | FS-B4KU35CL | FS-B2KU7CL |
|----------------------|---|------------|-------------------------------|------------|------------------|------------|
| Dimensions | 80 (W) x 100 (H) x 38.1 (D) mm (excluding connector) | | 56 (W) x 58 (H) x 26.5 (D) mm | | | |
| Lens Mount | M72, P=0.75 mm | | F Mount | | F Mount, C Mount | |
| Weight | Approx. 453 g | | Approx. 250g | | | |
| Interface Connectors | Camera Link connector (MDR) x 2 Power connector (6pin connector) | | | | | |

Environmental Specifications

| Product | FS-B16KU35CL | FS-B8KU7CL | FS-B8KU35CL | FS-B4KU7CL | FS-B4KU35CL | FS-B2KU7CL |
|-----------------------|------------------|------------|-------------|------------|-------------|------------|
| RoHS | RoHS compliant | | | | | |
| Operating Temperature | 0 to 40 deg. C | | | | | |
| Storage Temperature | -30 to 65 deg. C | | | | | |

II. Product Numbering

Product Number:



- (1) Series
- (2) BW / Color
 - B: Black and White
 - C: Color
- (3) Number of pixels
 - 16: 16K
 - 8: 8K
 - 4: 4K
 - 2: 2K
- (4) Pixel Size
 - U14: 14um
 - U35: 35um
 - U7: 7um
- (5) Line Number
 - None: 1 line (single)
 - D: 2 lines (dual)
 - Q: 4 lines (Quad)
- (6) Output type
 - CL: Camera link
 - GE: GigE Vision
 - CX: CoaXPress
- (7) Mount type
 - C: C mount
 - F: F mount
 - M72: M72 mount

Order Number

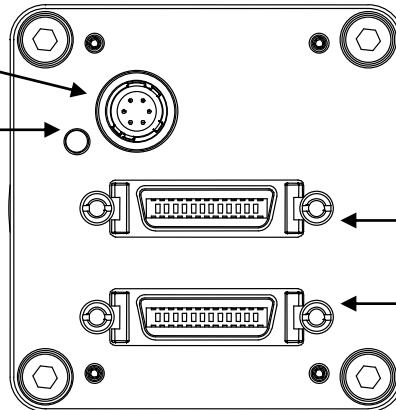
FS-B16KU35CL-M72
FS-B8KU7CL-M72
FS-B8KU35CL-F
FS-B4KU7CL-F
FS-B4KU35CL-F
FS-B2KU7CL-F
FS-B2KU7CL-C

III. Connector Specifications

A. FS-B2KU7CL

C. Power connector

LED



B. Don't use

A. Camera Link (Base)

A. Camera Link connector (Base):

B. Don't Use

C. Power Connector

This connector is for 12Vdc power input.

The RED LED light indicates that the camera is powered-on.

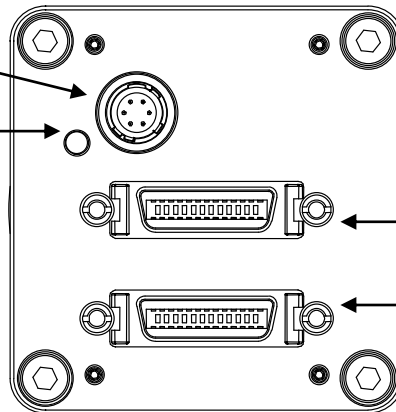
MDR Receptacle (3M)

HR10A-7R-6PB (Hirose)

B. FS-B8KU35CL, FS-B4KU7CL, FS-B4KU35CL

C. Power connector

LED



B. Camera Link (Full/Medium)

A. Camera Link (Base)

A. Camera Link connector (Base):

B. Camera Link connector (Medium/Full):

C. Power Connector

This connector is for 12Vdc power input.

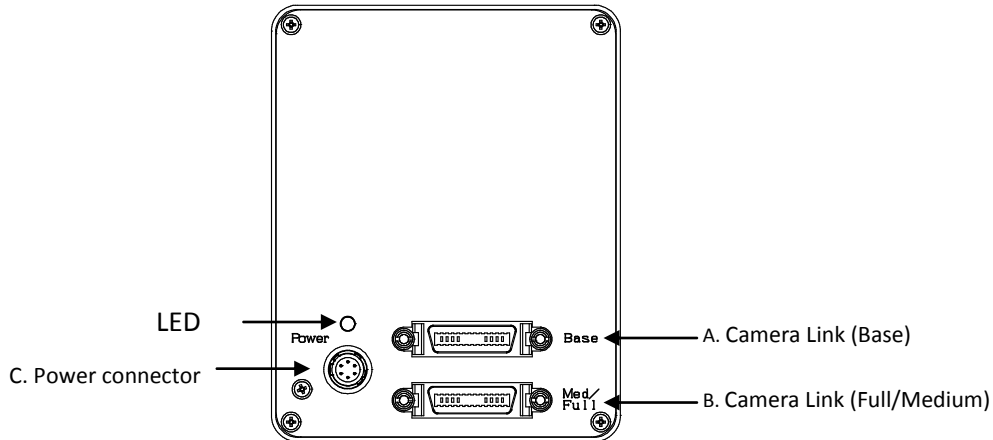
The RED LED light indicates that the camera is powered-on.

MDR Receptacle (3M)

MDR Receptacle (3M)

HR10A-7R-6PB (Hirose)

C. FS-B8KU7CL, FS-B16KU35CL



A. Camera Link connector (Base):

B. Camera Link connector (Medium/Full):

C. Power Connector

MDR Receptacle (3M)

MDR Receptacle (3M)

HR10A-7R-6PB (Hirose)

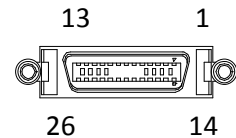
This connector is for 12Vdc power input.

The RED LED light indicates that the camera is powered-on.

D. Pin Assignment of the Connectors

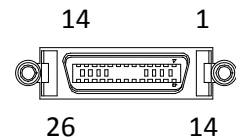
1. Camera Link connector (Base): MDR Receptacle (3M)

| Pin No. | Signal name | Pin No. | Signal name |
|---------|---|---------|---|
| 1 | GND | 14 | GND |
| 2 | X0- | 15 | X0+ |
| 3 | X1- | 16 | X1+ |
| 4 | X2- | 17 | X2+ |
| 5 | Xclk- | 18 | Xclk+ |
| 6 | X3- | 19 | X3+ |
| 7 | SerTC+ | 20 | SerTC- |
| 8 | SerTFG- | 21 | SerTFG+ |
| 9 | CC1- (for the external sync signal input) | 22 | CC1+ (for the external sync signal input) |
| 10 | CC2+ | 23 | CC2- |
| 11 | CC3- | 24 | CC3+ |
| 12 | CC4+ | 25 | CC4- |
| 13 | GND | 26 | GND |



2. Camera Link connector (Medium): MDR Receptacle (3M)

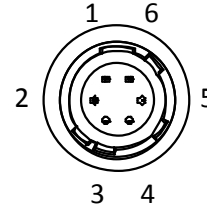
| Pin No. | Signal name | Pin No. | Signal name |
|---------|--------------------|---------|--------------------|
| 1 | GND | 14 | GND |
| 2 | Y0- | 15 | Y0+ |
| 3 | Y1- | 16 | Y1+ |
| 4 | Y2- | 17 | Y2+ |
| 5 | Yclk- | 18 | Yclk+ |
| 6 | Y3- | 19 | Y3+ |
| 7 | 100 Ohm terminated | 20 | 100 Ohm terminated |
| 8 | Z0- | 21 | Z0+ |
| 9 | Z1- | 22 | Z1+ |
| 10 | Z2- | 23 | Z2+ |
| 11 | Zclk- | 24 | Zclk+ |
| 12 | Z3- | 25 | Z3+ |
| 13 | GND | 26 | GND |



| signal name | I/O | explanation |
|-------------|-----|--|
| CC1 | I | Ext TRG. Refer to section 5. |
| CC2 | - | Spare |
| CC3 | - | Spare |
| CC4 | - | Spare |
| SerTC | I | Serial communication from the frame grabber. |
| SerTFG | O | Serial communication to the frame grabber. |

3. Power Connector: HR10A-7R-6PB (Hirose or equivalent) (Cable connector: HR10A-7P-6S or equivalent)

| Pin No. | Signal name | IN/OUT | Voltage |
|---------|-------------|--------|---------|
| 1 | +12 V | IN | +12 V |
| 2 | +12 V | IN | +12 V |
| 3 | +12 V | IN | +12 V |
| 4 | GND | | |
| 5 | GND | | |
| 6 | GND | | |



E. Bit Assignment

1. "Full Configuration"

| Base connector | | | |
|----------------|-----------|----------|----------|
| Port/bit | 8-bit x 8 | Port/bit | 8-bit x8 |
| Port A0 | A0 | Port C0 | C0 |
| Port A1 | A1 | Port C1 | C1 |
| Port A2 | A2 | Port C2 | C2 |
| Port A3 | A3 | Port C3 | C3 |
| Port A4 | A4 | Port C4 | C4 |
| Port A5 | A5 | Port C5 | C5 |
| Port A6 | A6 | Port C6 | C6 |
| Port A7 | A7 | Port C7 | C7 |
| Port B0 | B0 | | |
| Port B1 | B1 | | |
| Port B2 | B2 | | |
| Port B3 | B3 | | |
| Port B4 | B4 | | |
| Port B5 | B5 | | |
| Port B6 | B6 | | |
| Port B7 | B7 | | |

| Full connector | | | | | |
|----------------|-----------|----------|----------|----------|----------|
| Port/bit | 8-bit x 8 | Port/bit | 8-bit x8 | Port/bit | 8-bit x8 |
| Port D0 | D0 | Port F0 | F0 | Port H0 | H0 |
| Port D1 | D1 | Port F1 | F1 | Port H1 | H1 |
| Port D2 | D2 | Port F2 | F2 | Port H2 | H2 |
| Port D3 | D3 | Port F3 | F3 | Port H3 | H3 |
| Port D4 | D4 | Port F4 | F4 | Port H4 | H4 |
| Port D5 | D5 | Port F5 | F5 | Port H5 | H5 |
| Port D6 | D6 | Port F6 | F6 | Port H6 | H6 |
| Port D7 | D7 | Port F7 | F7 | Port H7 | H7 |
| Port E0 | E0 | Port G0 | G0 | | |
| Port E1 | E1 | Port G1 | G1 | | |
| Port E2 | E2 | Port G2 | G2 | | |
| Port E3 | E3 | Port G3 | G3 | | |
| Port E4 | E4 | Port G4 | G4 | | |
| Port E5 | E5 | Port G5 | G5 | | |
| Port E6 | E6 | Port G6 | G6 | | |
| Port E7 | E7 | Port G7 | G7 | | |

2. "Medium Configuration"

10 bit mode

| Base connector | | | |
|----------------|----------------|----------|----------------|
| Port/bit | 10-bit x 4taps | Port/bit | 10-bit x 4taps |
| Port A0 | A0 | Port C0 | B0 |
| Port A1 | A1 | Port C1 | B1 |
| Port A2 | A2 | Port C2 | B2 |
| Port A3 | A3 | Port C3 | B3 |
| Port A4 | A4 | Port C4 | B4 |
| Port A5 | A5 | Port C5 | B5 |
| Port A6 | A6 | Port C6 | B6 |
| Port A7 | A7 | Port C7 | B7 |
| Port B0 | A8 | | |
| Port B1 | A9 | | |
| Port B2 | nc | | |
| Port B3 | nc | | |
| Port B4 | B8 | | |
| Port B5 | B9 | | |
| Port B6 | nc | | |
| Port B7 | nc | | |

| Medium connector | | | |
|------------------|----------------|----------|----------------|
| Port/bit | 10-bit x 4taps | Port/bit | 10-bit x 4taps |
| Port D0 | D0 | Port F0 | C8 |
| Port D1 | D1 | Port F1 | C9 |
| Port D2 | D2 | Port F2 | nc |
| Port D3 | D3 | Port F3 | nc |
| Port D4 | D4 | Port F4 | D8 |
| Port D5 | D5 | Port F5 | D9 |
| Port D6 | D6 | Port F6 | nc |
| Port D7 | D7 | Port F7 | nc |
| Port E0 | C0 | | |
| Port E1 | C1 | | |
| Port E2 | C2 | | |
| Port E3 | C3 | | |
| Port E4 | C4 | | |
| Port E5 | C5 | | |
| Port E6 | C6 | | |
| Port E7 | C7 | | |

8 bit mode

| Base connector | | | |
|----------------|---------------|----------|---------------|
| Port/bit | 8-bit x 4taps | Port/bit | 8-bit x 4taps |
| Port A0 | A0 | Port C0 | C0 |
| Port A1 | A1 | Port C1 | C1 |
| Port A2 | A2 | Port C2 | C2 |
| Port A3 | A3 | Port C3 | C3 |
| Port A4 | A4 | Port C4 | C4 |
| Port A5 | A5 | Port C5 | C5 |
| Port A6 | A6 | Port C6 | C6 |
| Port A7 | A7 | Port C7 | C7 |
| Port B0 | B0 | | |
| Port B1 | B1 | | |
| Port B2 | B2 | | |
| Port B3 | B3 | | |
| Port B4 | B4 | | |
| Port B5 | B5 | | |
| Port B6 | B6 | | |
| Port B7 | B7 | | |

| Medium connector | | | |
|------------------|---------------|----------|---------------|
| Port/bit | 8-bit x 4taps | Port/bit | 8-bit x 4taps |
| Port D0 | D0 | Port F0 | nc |
| Port D1 | D1 | Port F1 | nc |
| Port D2 | D2 | Port F2 | nc |
| Port D3 | D3 | Port F3 | nc |
| Port D4 | D4 | Port F4 | nc |
| Port D5 | D5 | Port F5 | nc |
| Port D6 | D6 | Port F6 | nc |
| Port D7 | D7 | Port F7 | nc |
| Port E0 | nc | | |
| Port E1 | nc | | |
| Port E2 | nc | | |
| Port E3 | nc | | |
| Port E4 | nc | | |
| Port E5 | nc | | |
| Port E6 | nc | | |
| Port E7 | nc | | |

3. "Base Configuration"

10 bit mode

| Base connector | | | |
|----------------|----------------|----------|----------------|
| Port/bit | 10-bit x 2taps | Port/bit | 10-bit x 2taps |
| Port A0 | A0 | Port C0 | B0 |
| Port A1 | A1 | Port C1 | B1 |
| Port A2 | A2 | Port C2 | B2 |
| Port A3 | A3 | Port C3 | B3 |
| Port A4 | A4 | Port C4 | B4 |
| Port A5 | A5 | Port C5 | B5 |
| Port A6 | A6 | Port C6 | B6 |
| Port A7 | A7 | Port C7 | B7 |
| Port B0 | A8 | | |
| Port B1 | A9 | | |
| Port B2 | nc | | |
| Port B3 | nc | | |
| Port B4 | B8 | | |
| Port B5 | B9 | | |
| Port B6 | nc | | |
| Port B7 | nc | | |

8 bit mode

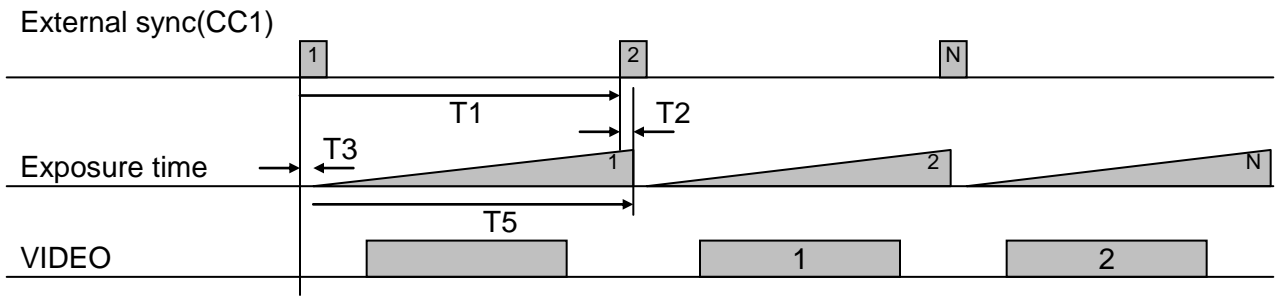
| Base connector | | | |
|----------------|---------------|----------|---------------|
| Port/bit | 8-bit x 2taps | Port/bit | 8-bit x 2taps |
| Port A0 | A0 | Port C0 | nc |
| Port A1 | A1 | Port C1 | nc |
| Port A2 | A2 | Port C2 | nc |
| Port A3 | A3 | Port C3 | nc |
| Port A4 | A4 | Port C4 | nc |
| Port A5 | A5 | Port C5 | nc |
| Port A6 | A6 | Port C6 | nc |
| Port A7 | A7 | Port C7 | nc |
| Port B0 | B0 | | |
| Port B1 | B1 | | |
| Port B2 | B2 | | |
| Port B3 | B3 | | |
| Port B4 | B4 | | |
| Port B5 | B5 | | |
| Port B6 | B6 | | |
| Port B7 | B7 | | |

IV. Timing Chart

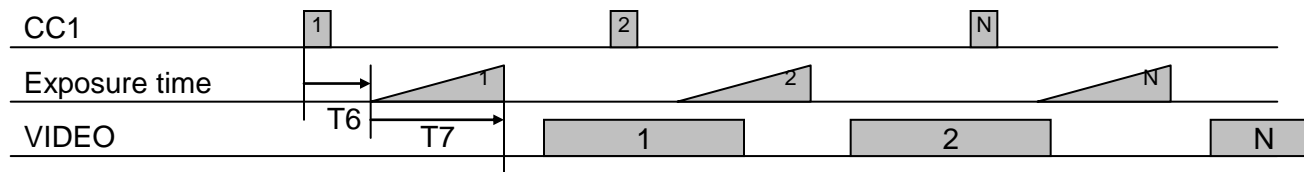
Caution: Camera does not accept any commands without sync signal. When External Trigger Mode (limd=1) is used through the Hyper Terminal, please send the commands on Internal Sync mode. And send the next command after receiving OK.

A. Exposure Time

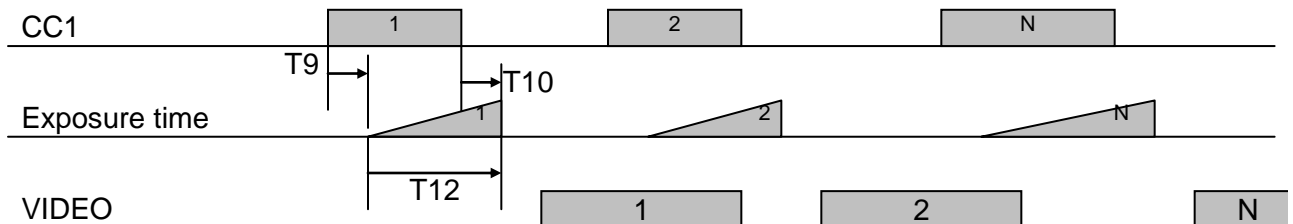
EXT LINE



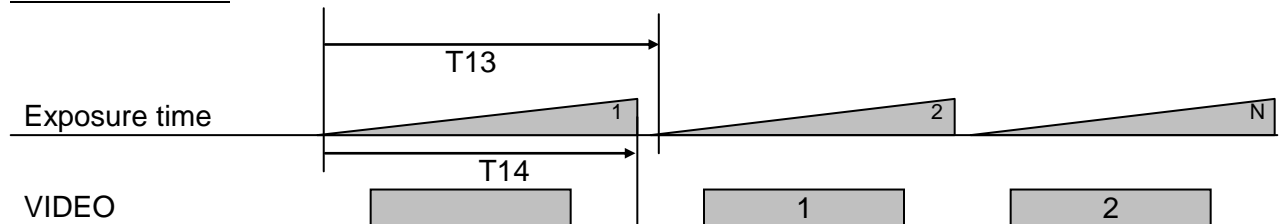
EXT FIX MODE



PULSE MODE



INTERNAL MODE



| Label | Description | Value [us] |
|-------|--------------------------------------|---|
| T1 | Line interval | External sync : CC1 line period |
| T2 | Sync rise to exposure end | $(6 \times B) + 1$ |
| T3 | Sync rise to exposure start | B16K : $(18 \times B) + 2$ Except B16K: $(18 \times B) + 1$ |
| T5 | Exposure time(EXT_LINE) | B16K : $T1 - (12 \times B) - 3$ Except B16K : $T1 - (12 \times B) - 2$ |
| T6 | CC1 rise to exposure start (EXT_FIX) | $(6 \times B) + 2$ |
| T7 | Exposure time (EXT_FIX) | B16K : $((\text{intu} \times 256 + \text{intl}) \times C) + 5$ Except B16K : $((\text{intu} \times 256 + \text{intl}) \times C) + 2$ min setting : intu = 0, intl = 0 Maximum Exposure Time: Line period - 3us |
| T9 | CC1 rise to exposure start PULSE) | $(5 \times B) + 2$ |
| T10 | CC1 fall to exposure end PULSE) | $(5 \times B) + 1$ |
| T12 | Exposure time (PULSE) | Pulse width of CC1(High) – 1 |
| T13 | Line interval (INTERNAL) | $((\text{intu} \times 256 + \text{intl}) \times C) + A$ A : Minimum line period |
| T14 | Exposure time (INTERNAL) | B16K : $T13 - 3 - (12 \times B)$ Except B16K : $T13 - 2 - (12 \times B)$ |

The min and max of T12 follows.

The min of T12=3us

The max of T12= the line period – 2us

A: Minimum line period [us]

| opck | FS-B16KU35CL | FS-B8KU35CL, FS-B8KU7CL | FS-B4KU7CL, FS-B4KU35CL | FS-B2KU7CL |
|------|--------------|-------------------------|-------------------------|------------|
| 0 | 25.4 us | 13.2 us | 13.2 us | 13.2 us |
| 1 | 41.6 us | 21.1 us | 21.1 us | 21.1 us |
| 2 | 48.6 us | 24.5 us | 24.5 us | - |
| 3 | 82.6 us | 41.6 us | 41.6 us | - |
| 4 | 96.8 us | 48.6 us | - | - |
| 5 | 164.5 us | 82.6 us | - | - |
| 8 | 26 us | 13.2 us | 13.2 us | 13.2 us |
| 9 | 51.6 us | 25 us | 25 us | - |
| 10 | 102.8 us | 51.6 us | - | - |
| 11 | 25 us | 12.5 us | 12.5 us | 12.5 us |
| 23 | 25.4 us | 13.2 us | - | - |
| 24 | 26 us | 13.2 us | - | - |
| 25 | 41.6 us | 21.1 us | - | - |
| 26 | 25.4 us | 13.2 us | 13.2 us | 13.2 us |
| 27 | 26 us | 13.2 us | 13.2 us | 13.2 us |
| 28 | 41.6 | 21.1 us | 21.1 us | 21.1 us |

B: CLK period

| Model | Value [us] |
|-------------------------|------------|
| FS-B16KU35CL | 0.0235 |
| Except for FS-B16KU35CL | 0.0117 |

C: Amount of change time per step

| Model | Value [us] |
|-------------------------|------------|
| FS-B16KU35CL | 0.4 |
| Except for FS-B16KU35CL | 0.2 |

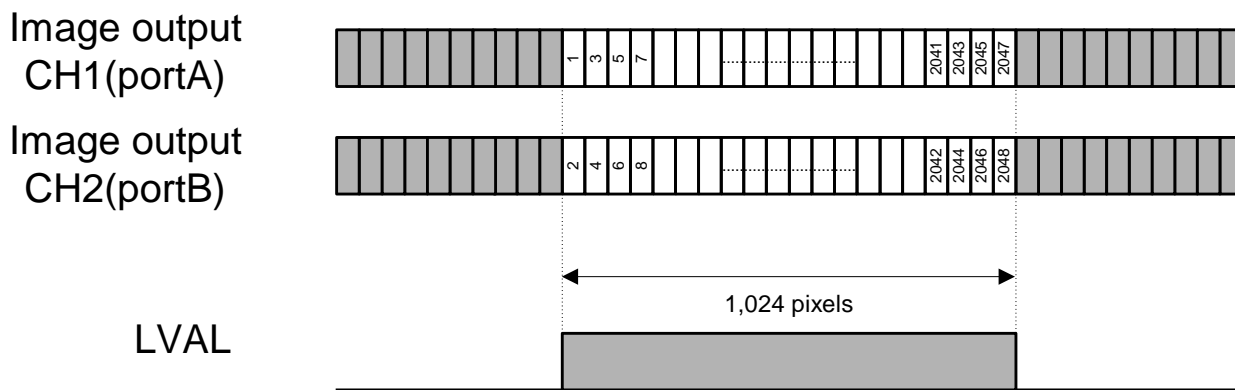
V. Output mode

A. FS-B2KU7CL

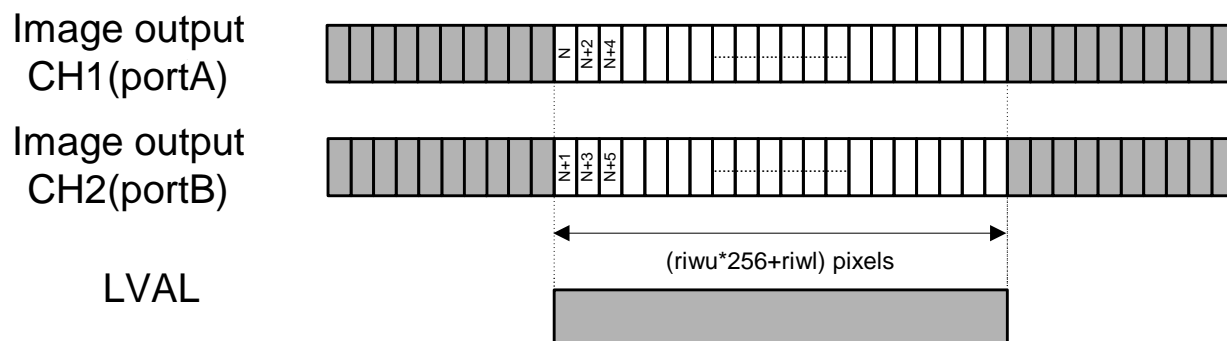
Four rate modes can be selected using command: opck.

| opck | Maximum line rate | Total data rate | Camera Link Configuration |
|--------|-------------------|---------------------|---------------------------|
| 0 | 75kHz | 170MHz (85MHzx2TAP) | Base |
| 1 | 47kHz | 100MHz (50MHzx2TAP) | Base |
| 2-7 | Don't use | | |
| 8 | 75kHz | 160MHz (80MHzx2TAP) | Base |
| 9-10 | Don't use | | |
| 11 | 80kHz | 170MHz (85MHzx2TAP) | Base |
| 12-25 | Don't use | | |
| 26 | 75kHz | 170MHz (85MHzx2TAP) | AOI mode (Base) |
| 27 | 75kHz | 160MHz (80MHzx2TAP) | AOI mode (Base) |
| 28 | 47kHz | 100MHz (50MHzx2TAP) | AOI mode (Base) |
| 29-255 | Don't use | | |

1. Output Timing "Base"



2. Output Timing "AOI Mode (BASE)"



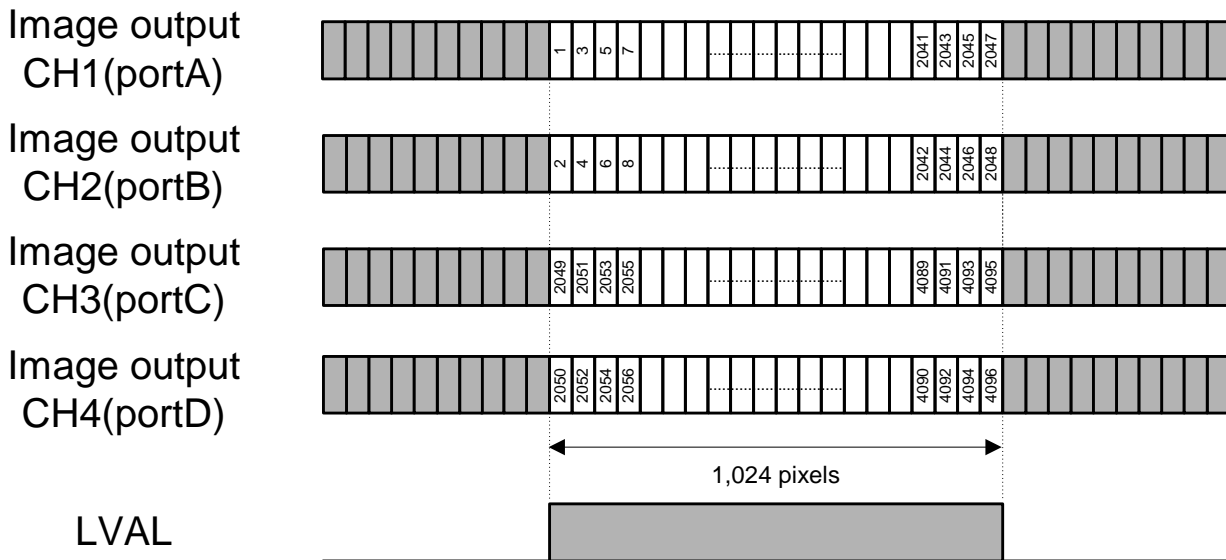
$$N = (\text{risu} * 256 + \text{risl}) * 2 + 1$$

B. FS-B4KU35CL

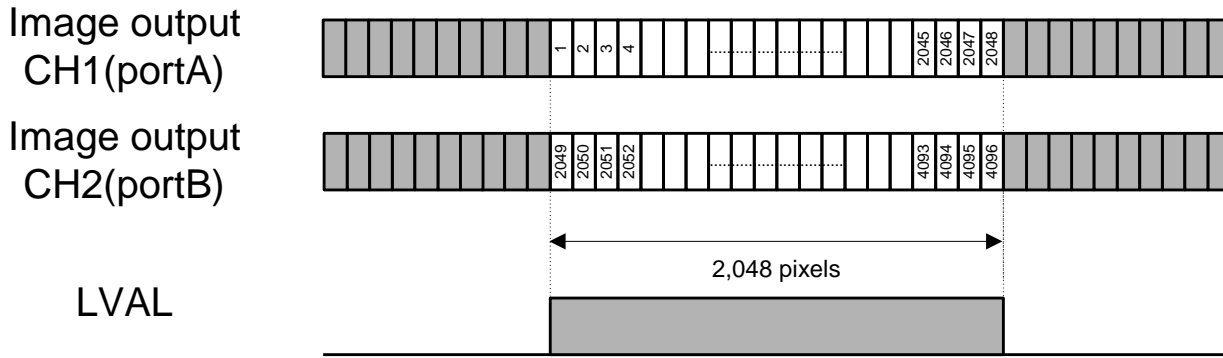
Seven Data rate modes can be selected using command: opck.

| opck | Maximum line rate | Total data rate | Camera Link Configuration |
|--------|-------------------|---------------------|---------------------------|
| 0 | 75kHz | 340MHz (85MHzx4TAP) | Medium |
| 1 | 47kHz | 200MHz (50MHzx4TAP) | Medium |
| 2 | 40kHz | 170MHz (85MHzx2TAP) | Base |
| 3 | 24kHz | 100MHz (50MHzx2TAP) | Base |
| 4-7 | Don't use | | |
| 8 | 75kHz | 320MHz (80MHzx4TAP) | Medium |
| 9 | 38kHz | 160MHz (80MHzx2TAP) | Base |
| 10 | Don't use | | |
| 11 | 80kHz | 340MHz (85MHzx4TAP) | Medium |
| 12-25 | Don't use | | |
| 26 | 75kHz | 170MHz (85MHzx2TAP) | AOI mode (Base) |
| 27 | 75kHz | 160MHz (80MHzx2TAP) | AOI mode (Base) |
| 28 | 47kHz | 100MHz (50MHzx2TAP) | AOI mode (Base) |
| 29-255 | Don't use | | |

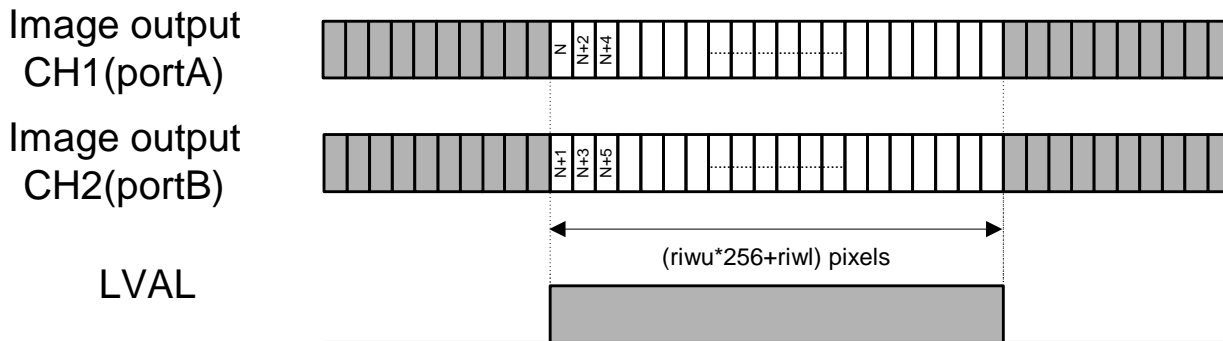
1. Output Timing “Medium configuration”



2. Output Timing "Base configuration"



3. Output Timing "AOI Mode (Base)"



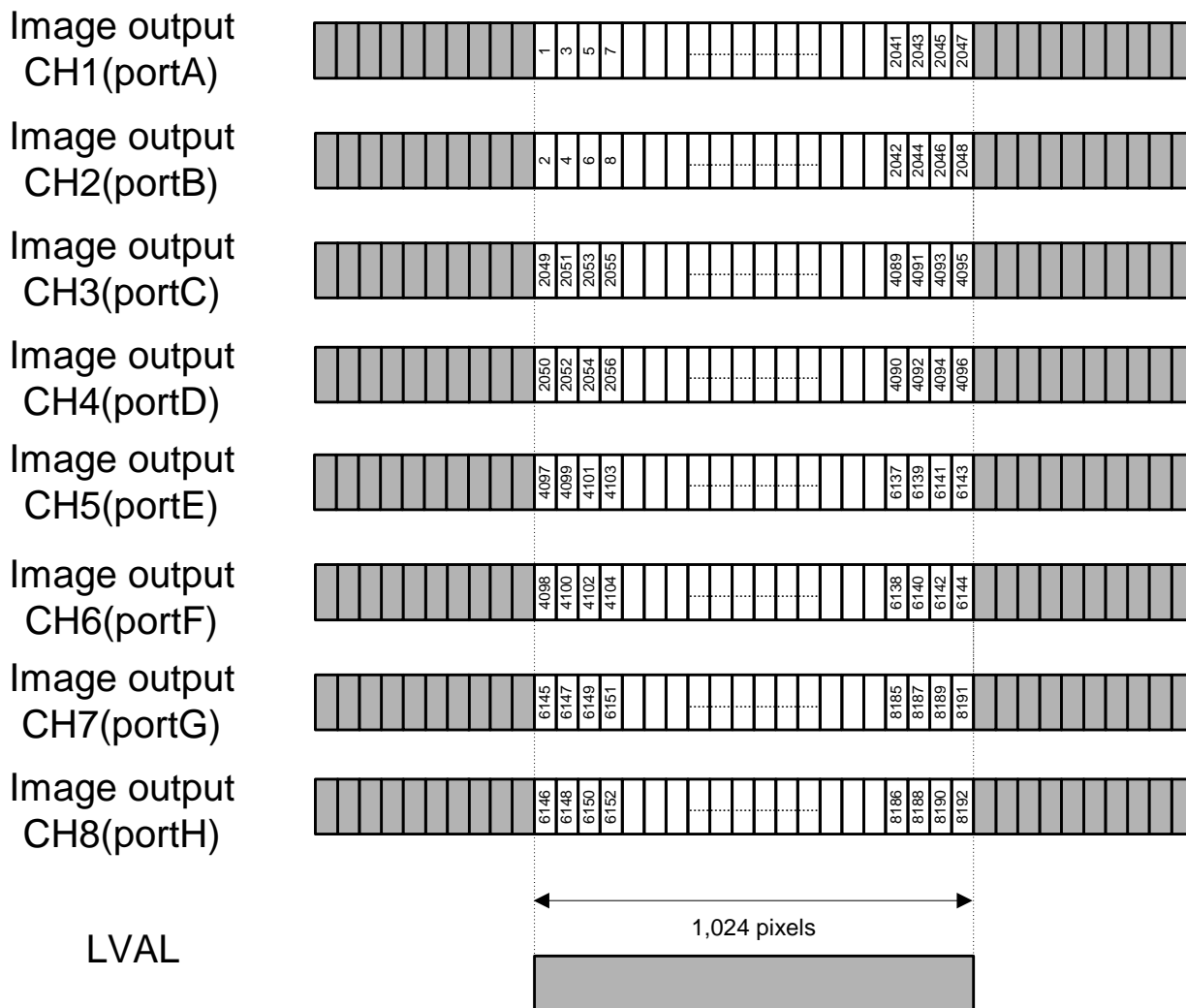
| Product number | The start pixel output |
|----------------|-----------------------------------|
| FS-B4KU35CL | $N = (risu * 256 + risl) * 4 + 1$ |
| FS-B4KU7CL | $N = (risu * 256 + risl) * 2 + 1$ |

C. FS-B8KU35CL, FS-B8KU7CL

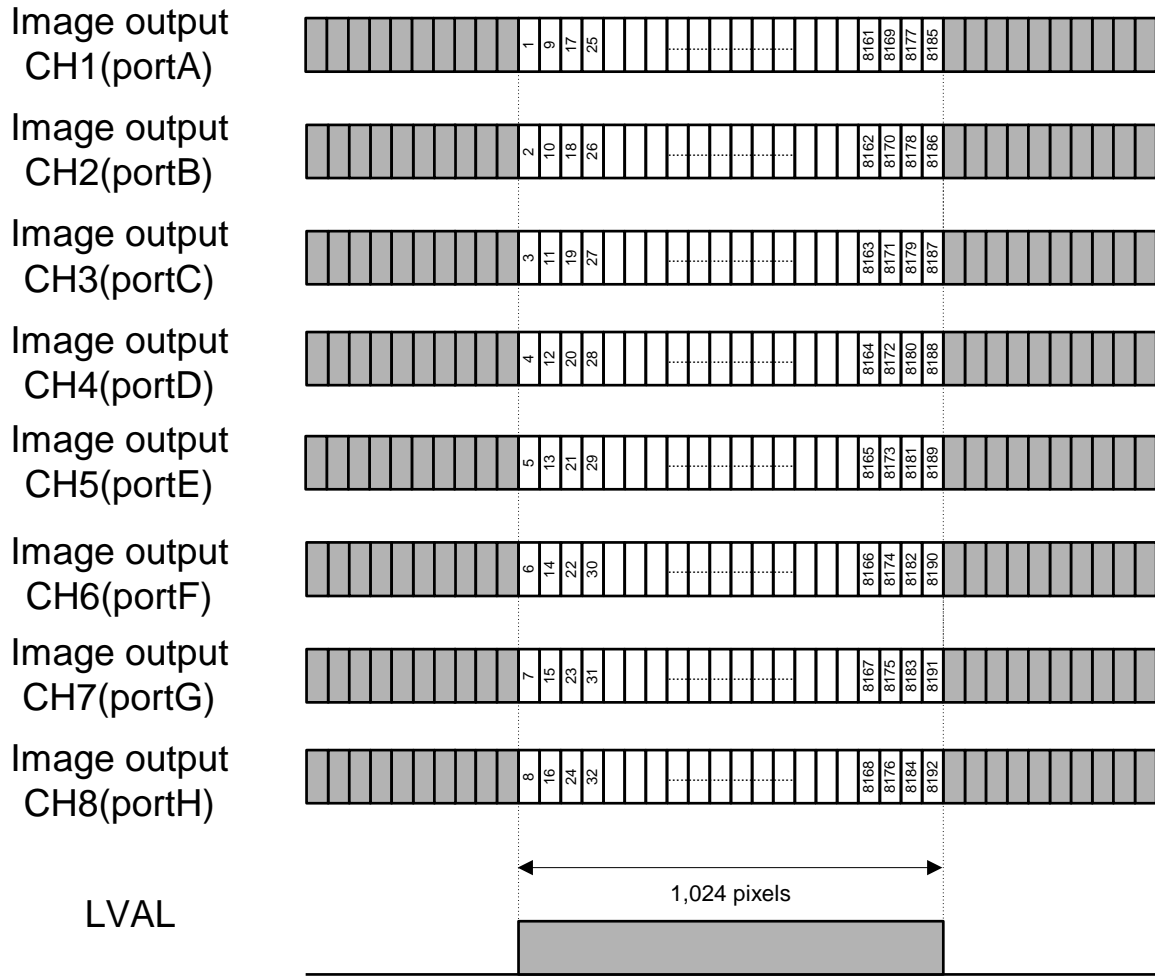
You can change ten modes of data rate by opck command.

| opck | Maximum line rate | Total data rate | Camera Link Configuration |
|-------|-------------------|---------------------|---------------------------|
| 0 | 75kHz | 680MHz (85MHzx8TAP) | Full Format1 |
| 1 | 47kHz | 400MHz (50MHzx8TAP) | Full Format1 |
| 2 | 40kHz | 340MHz (85MHzx4TAP) | Medium |
| 3 | 24kHz | 200MHz (50MHzx4TAP) | Medium |
| 4 | 20kHz | 170MHz (85MHzx2TAP) | Base |
| 5 | 12kHz | 100MHz (50MHzx2TAP) | Base |
| 6-7 | Don't use | | |
| 8 | 75kHz | 640MHz (80MHzx8TAP) | Full Format1 |
| 9 | 38kHz | 320MHz (80MHzx4TAP) | Medium |
| 10 | 19kHz | 160MHz (80MHzx2TAP) | Base |
| 11 | 80kHz | 680MHz (85MHzx8TAP) | Full Format1 |
| 12-22 | Don't use | | |
| 23 | 75kHz | 680MHz (85MHzx8TAP) | Full Format2 |
| 24 | 75kHz | 640MHz (80MHzx8TAP) | Full Format2 |
| 25 | 47kHz | 400MHz (50MHzx8TAP) | Full Format2 |
| 26 | 75kHz | 170MHz (85MHzx2TAP) | AOI mode (Base) |
| 27 | 75kHz | 160MHz (80MHzx2TAP) | AOI mode (Base) |
| 28 | 47kHz | 100MHz (50MHzx2TAP) | AOI mode (Base) |
| | | | |
| | | | |

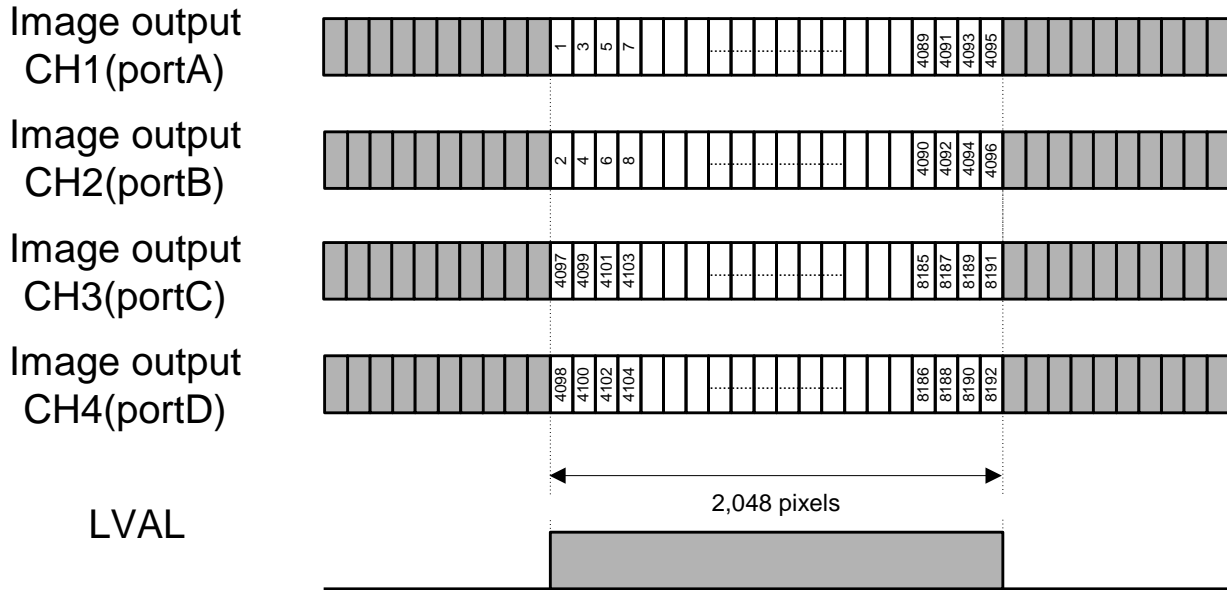
1. Output Timing "Full Configuration Format1"



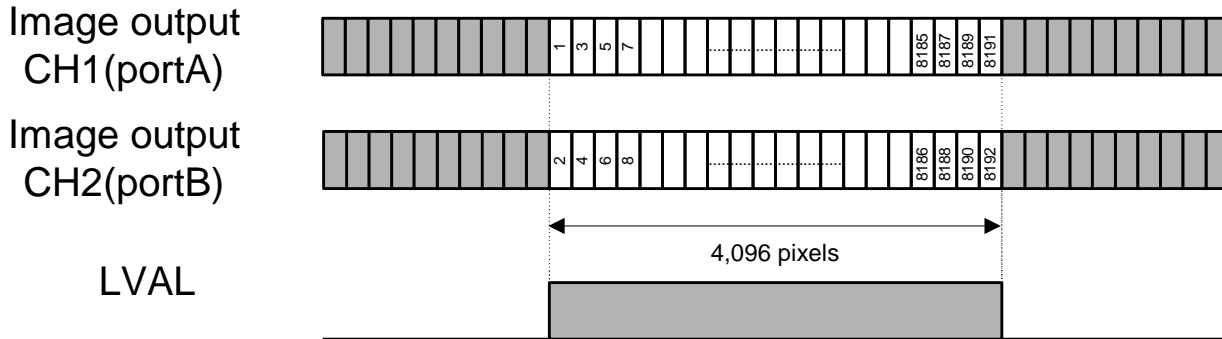
2. Output Timing "Full Configuration Format2"



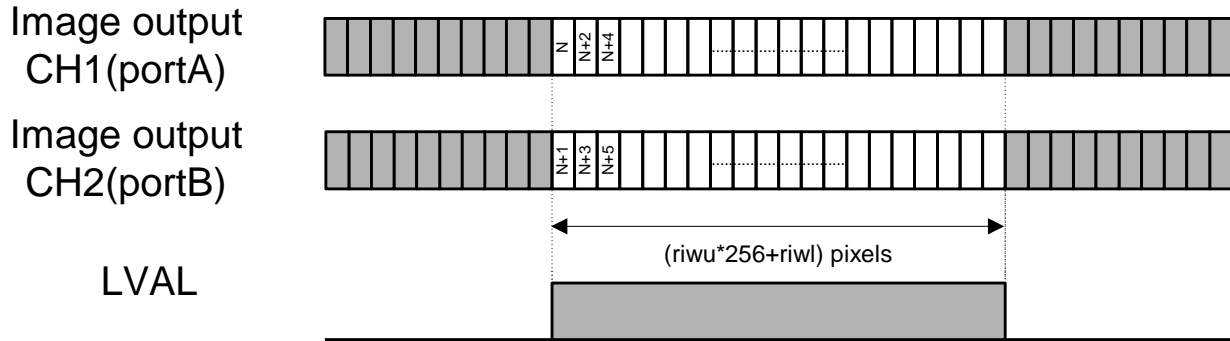
3. Output Timing "Medium Configuration"



4. Output Timing "Base Configuration"



5. Output Timing "AOI Mode (Base)"



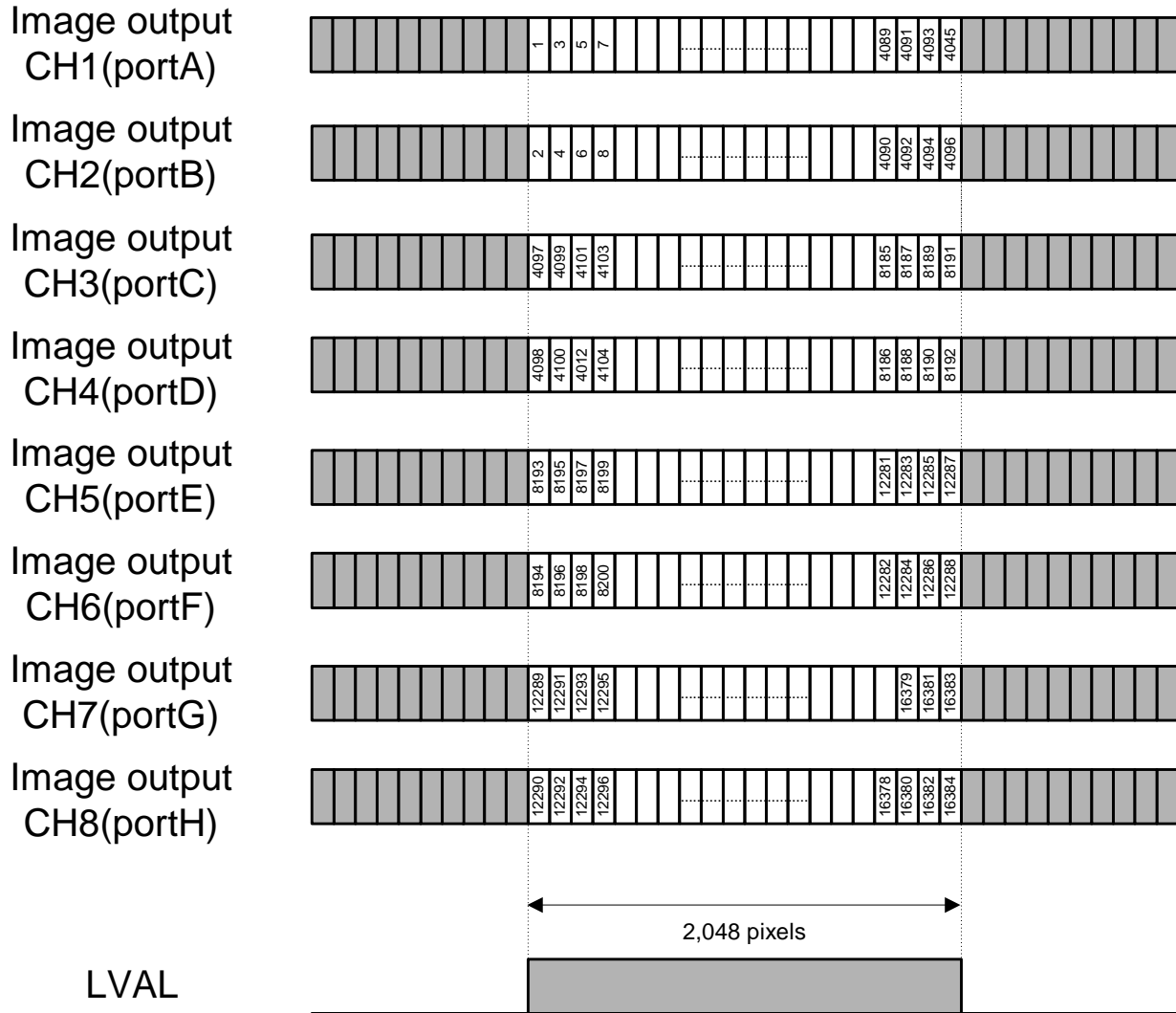
| Product number | The start pixel output |
|----------------|---|
| FS-B8KU35CL | $N = (risu \cdot 256 + risl) \cdot 4 + 1$ |
| FS-B8KU7CL | $N = (risu \cdot 256 + risl) \cdot 2 + 1$ |

D. FS-B16U35CL

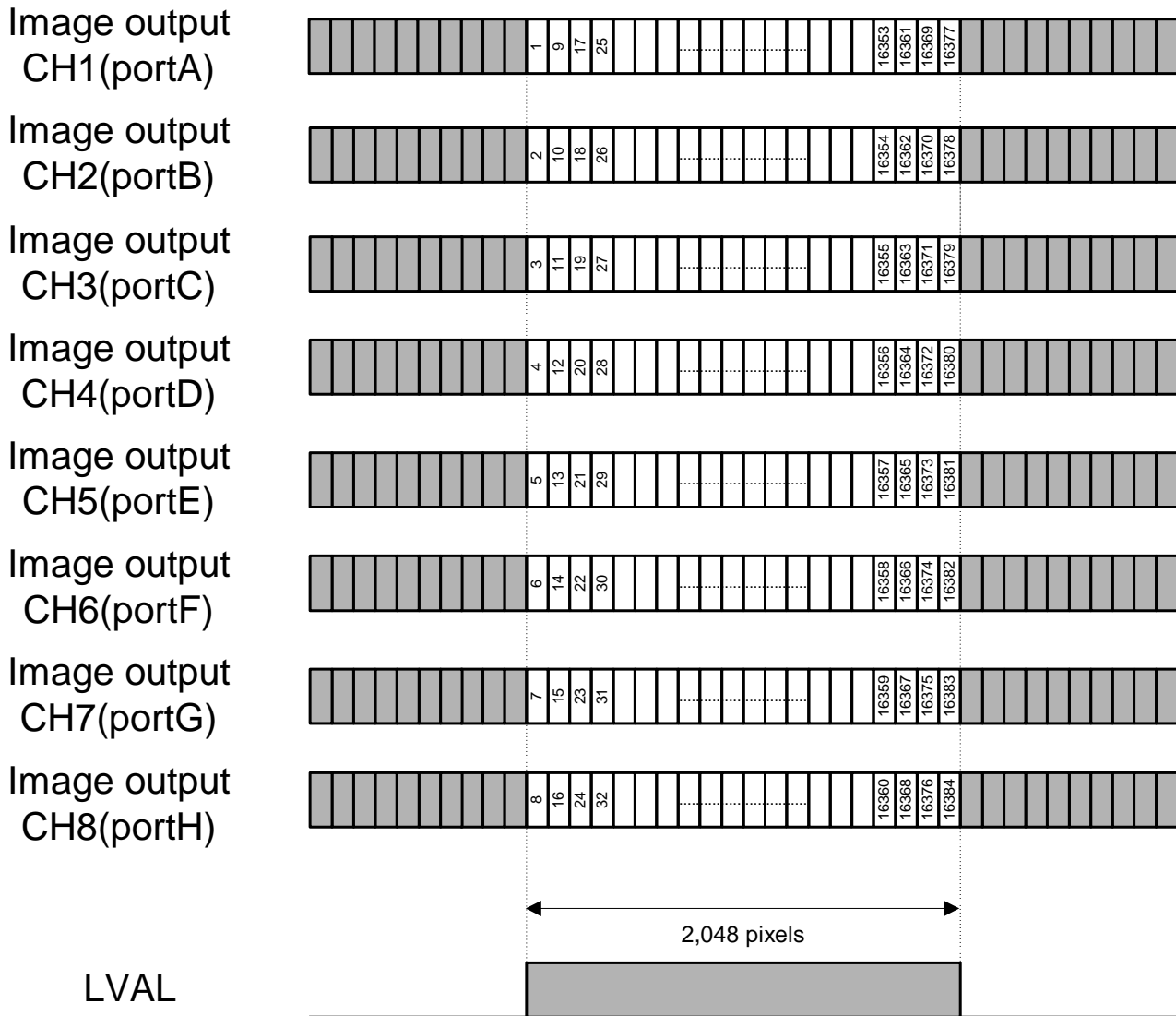
You can change nine modes of data rate by opck command.

| opck | Maximum line rate | Total data rate | Camera Link Configuration |
|--------|-------------------|---------------------|---------------------------|
| 0 | 39kHz | 680MHz (85MHzx8TAP) | Full Format1 |
| 1 | 24kHz | 400MHz (50MHzx8TAP) | Full Format1 |
| 2 | 20.5kHz | 340MHz (85MHzx4TAP) | Medium |
| 3 | 12kHz | 200MHz (50MHzx4TAP) | Medium |
| 4 | 10kHz | 170MHz (85MHzx2TAP) | Base |
| 5 | 6kHz | 100MHz (50MHzx2TAP) | Base |
| 6-7 | Don't use | | |
| 8 | 38.5kHz | 640MHz (80MHzx8TAP) | Full Format1 |
| 9 | 19kHz | 320MHz (80MHzx4TAP) | Medium |
| 10 | 9.5kHz | 160MHz (80MHzx2TAP) | Base |
| 11 | 40kHz | 680MHz (85MHzx8TAP) | Full Format1 |
| 12-22 | Don't use | | |
| 23 | 39kHz | 680MHz (85MHzx8TAP) | Full Format2 |
| 24 | 38.5kHz | 640MHz (80MHzx8TAP) | Full Format2 |
| 25 | 24kHz | 400MHz (50MHzx8TAP) | Full Format2 |
| 26 | 40kHz | 170MHz (85MHzx2TAP) | AOI mode (Base) |
| 27 | 38.5kHz | 160MHz (80MHzx2TAP) | AOI mode (Base) |
| 28 | 24kHz | 100MHz (50MHzx2TAP) | AOI mode (Base) |
| 29-255 | Don't use | | |

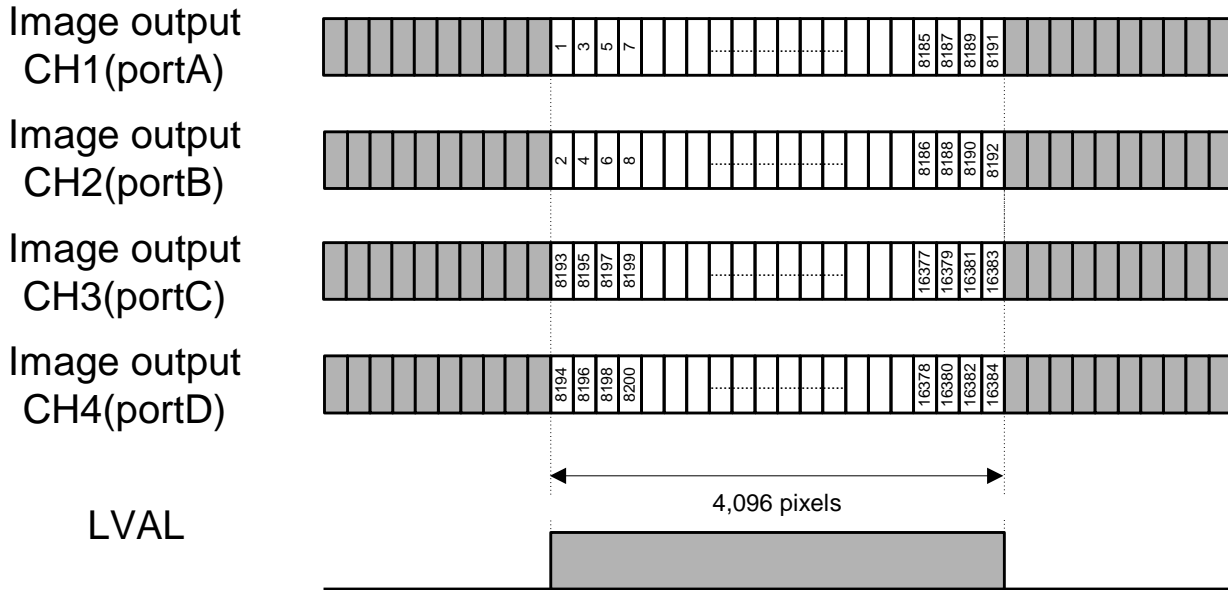
1. Output Timing "Full Configuration Format1"



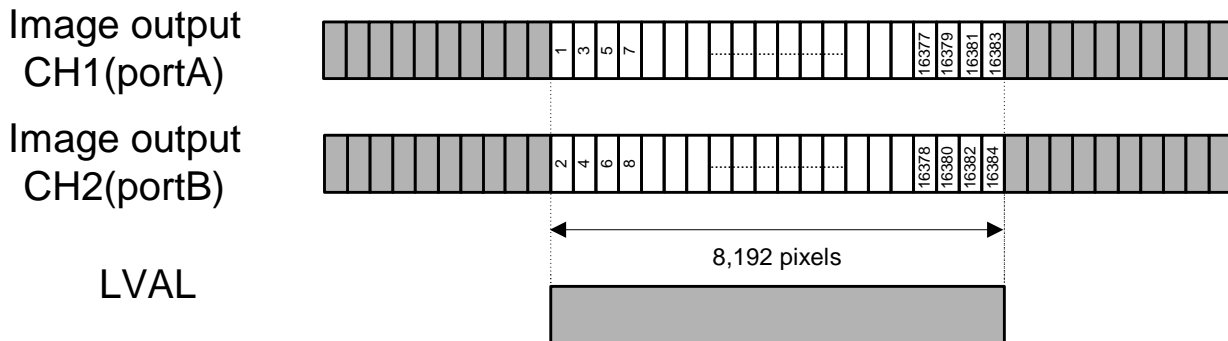
2. Output Timing "Full configuration Format2"



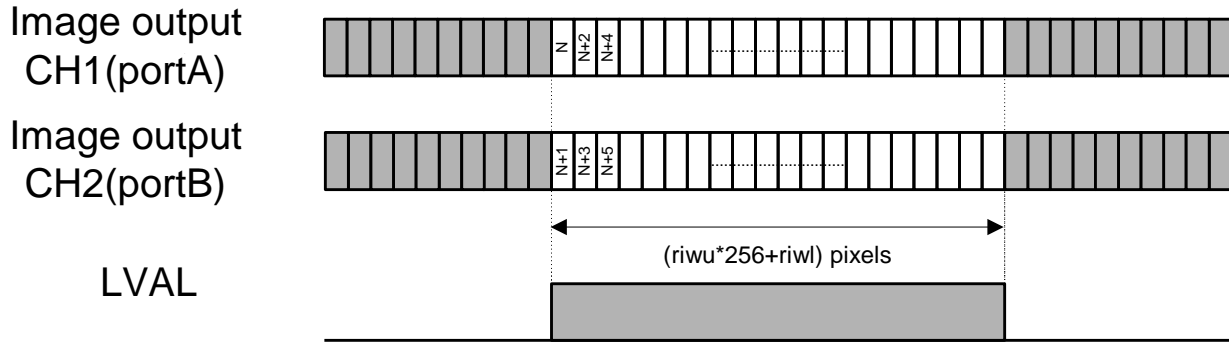
3. Output Timing "Medium Configuration"



4. Output Timing "Base Configuration"



5. Output Timing "AOI Mode (Base)"



$$N = (risu * 256 + risl) * 2 + 1$$

VI. Communication Specifications

-Communication format

Baud Rate: 9600bps
Data Length: 8 bit
Start Bit: 1 bit
Stop Bit: 1 bit
Parity: None
Xob/Xoff Control: None

-Communication

| | |
|------------|---|
| usid?<CR> | Reads the camera ID from the Camera |
| limd=1<CR> | Sets the external sync system to the camera |

-Glossary

| | |
|------|-----------------|
| [] | Omissible |
| <CR> | Carriage Return |

-Notes

1. The command name has to be lower-case. Upper case characters are invalid.
2. The command has to be a one byte character. Double byte characters are invalid.
3. A blank space (spacebar) is invalid.
4. The newline code is indicated by "CR(0x0D)".
LF(0x0A) and CR + LF are usable for the newline code.
However, the newline code at the returning command is always as "CR".
5. Retyping the command is necessary when using the hyper terminal and a command input error is received.
(The command corrects by the cursor moving is invalid)
6. Descriptions of exceptional cases:
-"NG" is returned when a non-exist command is input or an input error is received.

e.g. A command input error (Gain A level number is not designated)

| | |
|-------------------|---------|
| Input command: | ga01=96 |
| Returned command: | NG |

e.g. A none-exist command is input

| | |
|-------------------|----|
| Input command: | ff |
| Returned command: | NG |

-"NE" is returned when a numeric value input error is received.

e.g. The numeric value input error (Input value is out of the setting range)

| | |
|-------------------|---------|
| Input command: | galv=96 |
| Returned command: | NE |

e.g. The numeric value input error (Input value is out of the setting range)

| | |
|-------------------|-----------|
| Input command: | ga01=2000 |
| Returned command: | NE |

All commands are in lower-case. The default values are underlined.

| | Command Name | Format | Argument | Return value | Explanation |
|--------------------|----------------------|----------------------------|--|--|---|
| User | Get ID (Note.1) | usid[?]<CR> | N/A | ID (Default: <u>0</u>) | Get the camera ID (For multiple camera management) |
| | Set ID (Note.1) | usid=N<CR> | N: 0-255 | OK | Set the camera ID (For multiple camera management) |
| Sync Selection | Get Sync | limd[?]<CR> | N/A | 1: Ext Sync 2: Int Sync | Get the sync system of the camera |
| | Set Sync | limd=N<CR> | N=1: Ext Sync N=2: Int Sync | OK | Set the sync system of the camera CC1 is the external sync pulse |
| Exposure control | Get Exposure Control | inmd[?]<CR> | N/A | 0: Line cycle 1: Fixed Time Exposure 2: Pulse Width Exposure | Get the exposure control status |
| | Set Exposure Control | inmd=N<CR> | N=0: Line cycle N=1: Fixed Time Exposure N=2: Pulse Width Exposure | OK | Set the exposure control status |
| Exposure Time | Get Exposure Time | intu[?]<CR> intl[?]<CR> | N/A | 1-255 (Default: <u>0</u>) 0-255 (Default: <u>0</u>) | Get the exposure time |
| | Set Exposure Time | intu=N<CR> intl=N<CR> | N=1-255 N=0-255 | OK | Set the exposure time |
| Output Bit | Get width of output | opbt<CR> | N/A | 8: 8bit 10: 10bit | Get width of video output. |
| | Set width of output | opbt=N<CR> | N=8: 8bit N=10: 10bit | OK | Set width of video output. |
| System | Check | cmck<CR> | N/A | OK | Communication test |
| | Save | cmsv<CR> | N/A | OK | Save settings to the EEPROM |
| | Load | cmld<CR> | N/A | OK | Load settings from the EEPROM |
| | Version | fivr<CR> | N/A | CPU Version | Get the version number of the program for the microcomputer control |
| | Model | cmmo<CR> | N/A | Model | Get the camera model |
| | Revision | fpvr<CR> | N/A | FPGA Revision | Get the version number of FPGA |
| | config | cmcf<CR> | N/A | (Data output) | Get the all current settings |
| | clear | cmcl<CR> | N/A | OK | Clear current command settings of EEPROM |
| | Command list | cmcm<CR> | N/A | command list | active command list |
| | Data Rate control | Get Data Rate Mode | opck[?]<CR> | N/A | 0-255 (Default: <u>0</u>) |
| Set Data Rate Mode | | opck=N<CR> | 0-255 | OK | Set Data Rate Mode |

| Command Name | Format | Argument | Return value | Explanation |
|-------------------------------|--------------|--------------------------------------|--|--|
| FFC Control Mode | ffmd=N<CR> | N=0: OFF | OK | Shade control mode value reference/setting |
| | | N=1: ON | | |
| | | N=2: Data out (Note.2) | | |
| | | N=3: Data in (by pixel) | | |
| | | N=4: Data in (all) | | |
| | | N=5: Auto shade for gain | | |
| | | N=6: Auto shade for offset | | |
| | ffmd[?]<CR> | N/A | 0: OFF 1: ON 2: Data out (Note.2) 3: Data in (by pixel) 4: Data in (all) 5: Auto shade for gain 6: Auto shade for offset | |
| Select Gain/Offset | ffgo=N<CR> | N=0: OFF N=1: Gain N=2: Offset | OK | Setting target value reference/setting (Note.3) |
| | ffgo[?]<CR> | N/A | 0: OFF 1: Gain 2: Offset | |
| Lower Pixel Address | ffpl=N<CR> | N: 0-255 | OK | Correction target pixel (The lower rank address) value reference/setting |
| | ffpl[?]<CR> | N/A | 0-255 (Default: 0) | (Note.4) |
| Upper Pixel Address | ffpu=N<CR> | N: 0-255 | OK | Correction target pixel (The upper rank address) value reference/setting |
| | ffpu[?]<CR> | N/A | 0-255 (Default: 0) | (Note.4) |
| FFC Coeff | ffdt=N<CR> | N: 0-255 | OK | Set the upper 8bit data of FFC coefficients (12bit). |
| | ffdtl=N<CR> | N: 16-240 | OK | Set the lower 4bit data of FFC coefficients(12bit) This value has to be a multiple of 16 The remainder of N divided by 16 is ignored |
| | ffdt[?]<CR> | N/A | 0-255 (Default: 0) | Get the upper 8bit data of FFC coefficients (12bit) |
| | ffdtl[?]<CR> | N/A | 16-240 (Default: 16) | Get the lower 4bit data of FFC coefficients(12bit). This value is multiple of 16 |
| Black Level Target | ffto=N<CR> | N: 0-255 | OK | Correction target level value reference/setting |
| | ffto[?]<CR> | N/A | 0-255 (Default: 3) | for black level (Note.4) |
| Gray Level Target | fftg=N<CR> | N: 0-255 | OK | Correction target level value reference/setting |
| | fftg[?]<CR> | N/A | 0-255 (Default: 200) | for gray level (Note.4) |
| Set Data | ffds<CR> | N/A | OK | Set data |
| Get Selected Output | fful<CR> | N/A | 0: upper 8 bits 1: lower 4 bits | Select upper 8 bits or lower 4 bits of the shade correction value to be put on the video output line when ffmd=4 |
| Set Selected Output | fful=N<CR> | 0: upper 8 bits 1: lower 4 bits | OK | |
| EEPROM Load From User Bank | ffld<CR> | N/A | OK | Load shade data (Gain and Offset) from EEPROM user bank |
| EEPROM Save To user Bank | ffsv<CR> | N/A | OK | Save shade data(Gain and Offset) to EEPROM user bank |
| EEPROM Load From Factory Bank | fflf<CR> | N/A | OK | Load shade data (Gain and Offset) from EEPROM factory bank |
| RAM clear | ffcg<CR> | Non | OK | Clear shade data(Gain) to 0 |
| | ffco<CR> | Non | OK | Clear shade data(Offset) to 3200(12bit) |

FFC

| | Command Name | Format | Argument | Return value | Explanation |
|------------------------|--------------------------|----------------------|---|---|---|
| FFC | Get User Mode | ffum[?]<CR> | N/A | 0:user mode OFF 1:user mode ON | User BANK mode ON/OFF ON: save/load FFC coefficient to User BANK |
| | Set User Mode | ffum=N<CR> | 0:user mode OFF 1:user mode ON | OK | OFF: " Normal BANK |
| | Get FFC coefficient bank | ffsb[?]<CR> | N/A | 0-7 (Default: 0) | Get User BANK |
| | Set FFC coefficient bank | ffsb=N<CR> | 0-7 (Default: 0) | OK | Set User BANK |
| Test Pattern | Get Test Pattern | tsmd[?]<CR> | N/A | 0: OFF 1: test pattern 1 2: test pattern 2 3: test pattern 3 | Get test pattern mode |
| | Set Test Pattern | tsmd=N<CR> | N=0: OFF N=1: test pattern 1 N=2: test pattern 2 N=3: test pattern 3 | OK | Set test pattern mode |
| Digital Gain | Get Gain A Data | gadt<CR> | N/A | 0-255 (Default: 0) | Get Digital Gain Data |
| | Set Gain A Data | gadt=N<CR> | N: 0-255 | OK | Set Digital Gain Data |
| Gain B | Get Gain B Mode | gbdt<CR> | N/A | 0 or 1(Default: 0) | Get Gain B Mode |
| | Set Gain B Mode | gbdt=N<CR> | N=0: OFF N=1: ON | OK | Set Gain B Mode |
| Anti Blooming | Get Anti Blooming Mode | abmd<CR> | N/A | 0 or 1(Default: 0) | Get Anti Blooming Mode |
| | Set Anti Blooming Mode | abmd=N<CR> | N=0: OFF N=1: ON | OK | Set Anti Blooming Mode |
| AOI | Get start pixel of AOI | risu<CR> | N/A | 0-255 (Default: 0) | Get start pixel of AOI (The upper rank address) |
| | | risl<CR> | N/A | 0-255 (Default: 0) | Get start pixel of AOI (The lower rank address) |
| | Set start pixel of AOI | risu=N<CR> | N=0-255 (Default: 0) | OK | Set start pixel of AOI (The upper rank address) |
| | | risl=N<CR> | N=0-255 (Default: 0) | OK | Set start pixel of AOI (The lower rank address) |
| | Get the length of LVAL | riwu<CR> | N/A | 0-255 (Default: 4) | Get the length of LVAL (The upper rank) |
| | | riwl<CR> | N/A | 0-255 (Default: 0) | Get the length of LVAL (The lower rank) |
| Set the length of LVAL | riwu=N<CR> | N=0-255 (Default: 4) | OK | Set the length of LVAL (The upper rank) | |
| | riwl=N<CR> | N=0-255 (Default: 0) | OK | Set the length of LVAL (The lower rank) | |

Note 1: The camera ID can be saved in the user area of the EEPROM, but cannot be cleared by a clear command.

Note 2: Gain or offset value (coeff) will be put on the video output instead of the image data.

Note 3: Gain or Offset must be set prior to "Set Data".

Note 4: Correction target pixel address = $ffpu \times 256 + ffpl$.

VII. Command Description

A. Sync / Exposure Control (limd / inmd)

limd: Change sync control mode.

Inmd: Change exposure control mode.

B. Sync and Exposure Mode

Four operating modes can be selected using limd in *Sync Selection* and inmd in *Exposure Control*.

| inmd \ limd | | 1 | 2 |
|-------------|------|----------|-----------|
| | | External | Internal |
| 0 | LINE | EXT_LINE | Internal |
| 1 | FIX | EXT_FIX | |
| 2 | PLS | Pulse | Don't use |

1. EXT_LINE mode

SYNC: External Sync

EXPOSURE TIME: Line Cycle (Refer to III-A)

Exposure time [us] = Line period – (2 + (12 x B))

B: CLK period (different by model)

| Model | Value [us] |
|-------------------------|------------|
| FS-B16KU35CL | 0.0235 |
| Except for FS-B16KU35CL | 0.0117 |

2. EXT_FIX mode

SYNC: External Sync

EXPOSURE TIME: Programmable with intu and intl (refer to III-A)

Exposure time [us] = ((intu x 256 + intl) x C) + 2

C: Amount of change time per step

| Model | Value [us] |
|-------------------------|------------|
| FS-B16KU35CL | 0.4 |
| Except for FS-B16KU35CL | 0.2 |

3. INTERNAL mode

SYNC: Internal Sync Only

EXPOSURE TIME: Line Cycle (Refer to III-A)

$$\text{Exposure time [us]} = ((\text{intu} \times 256 + \text{intl}) \times C) + A - (2 + (12 \times B))$$

$$\text{Line period [us]} = ((\text{intu} \times 256 + \text{intl}) \times C) + A$$

A: Minimum line period (different by model).

| opck | FS-B16KU35CL | FS-B8KU35CL, FS-B8KU7CL | FS-B4KU7CL, FS-B4KU35CL | FS-B2KU7CL |
|------|--------------|-------------------------|-------------------------|------------|
| 0 | 25 us | 13.2 us | 13.2 us | 13.2 us |
| 1 | 41.6 us | 21.1 us | 21.1 us | 21.1 us |
| 2 | 48.6 us | 24.5 us | 24.5 us | - |
| 3 | 82.6 us | 41.6 us | 41.6 us | - |
| 4 | 96.8 us | 48.6 us | - | - |
| 5 | 164.5 us | 82.6 us | - | - |
| 8 | 26 us | 13.2 us | 13.2 us | 13.2 us |
| 9 | 51.6 us | 25 us | 25 us | - |
| 10 | 102.8 us | 51.6 us | - | - |
| 11 | 25 us | 12.5 us | 12.5 us | 12.5 us |
| 23 | 25.4 us | 13.2 us | - | - |
| 24 | 26 us | 13.2 us | - | - |
| 25 | 41.6 us | 21.1 us | - | - |
| 26 | 25.4 us | 13.2 us | 13.2 us | 13.2 us |
| 27 | 26 us | 13.2 us | 13.2 us | 13.2 us |
| 28 | 41.6 | 21.1 us | 21.1 us | 21.1 us |

B: CLK period (different by model).

| Model | Value [us] |
|-------------------------|------------|
| FS-B16KU35CL | 0.0235 |
| Except for FS-B16KU35CL | 0.0117 |

C: Amount of change time per step.

| Model | Value [us] |
|-------------------------|------------|
| FS-B16KU35CL | 0.4 |
| Except for FS-B16KU35CL | 0.2 |

4. PULSE mode

SYNC: External Sync

EXPOSURE TIME: Pulse Width

$$\text{Exposure time [us]} = \text{Pulse width of CC1 (High)} - 1$$

C. Exposure Time Setting (intu / intl)

When the exposure control mode is programmable, set the exposure time. When sync control is Internal, exposure time becomes a Line period, so you can change the Line period of camera by this setting value of "exposure time". The calculation of the exposure time is different from Sync / Exposure control mode, which is described in the Sync / Exposure control section.

intu: Change the upper byte of exposure time. The valid values are 0-255.

intl: Change the lower byte of exposure time. The valid values are 0-255.

The setting value of exposure time = (intu x 256) + intl

D. Data Rate Control (opck)

opck;

Change Camera Link clock speed and the Camera Link output format (Full/Medium/Base). The number and variation of active modes depends on the camera model. See each model's active modes in the following list.

| | Camera Link Configure | Maximum Line rate | Data rate | Camera Link Configure | Maximum Line rate | Data rate | Camera Link Configure | Maximum Line rate | Data rate | Camera Link Configure | Maximum Line rate | Data rate |
|----|-----------------------|-------------------|--------------|-----------------------|-------------------|--------------|-----------------------|-------------------|--------------|-----------------------|-------------------|--------------|
| 0 | Full Format1 | 39kHz | 85MHz x 8tap | Full Format1 | 75kHz | 85MHz x 8tap | Medium | 75kHz | 85MHz x 4tap | Base | 75kHz | 85MHz x 2tap |
| 1 | Full Format1 | 24kHz | 50MHz x 8tap | Full Format1 | 47kHz | 50MHz x 8tap | Medium | 47kHz | 50MHz x 4tap | Base | 47kHz | 50MHz x 2tap |
| 2 | Medium | 20.5kHz | 85MHz x 4tap | Medium | 40.5kHz | 85MHz x 4tap | Base | 40.5kHz | 85MHz x 2tap | - | - | - |
| 3 | Medium | 12kHz | 50MHz x 4tap | Medium | 24kHz | 50MHz x 4tap | Base | 24kHz | 50MHz x 2tap | - | - | - |
| 4 | Base | 10.3kHz | 85MHz x 2tap | Base | 20.5kHz | 85MHz x 2tap | - | - | - | - | - | - |
| 5 | Base | 6kHz | 50MHz x 2tap | Base | 12kHz | 50MHz x 2tap | - | - | - | - | - | - |
| 6 | - | - | - | - | - | - | - | - | - | - | - | - |
| 7 | - | - | - | - | - | - | - | - | - | - | - | - |
| 8 | Full Format1 | 38.4kHz | 80MHz x 8tap | Full Format1 | 75kHz | 80MHz x 8tap | Medium | 75kHz | 80MHz x 4tap | Base | 75kHz | 80MHz x 2tap |
| 9 | Medium | 19kHz | 80MHz x 4tap | Medium | 38.5kHz | 80MHz x 4tap | Base | 38.5kHz | 80MHz x 2tap | - | - | - |
| 10 | Base | 9.5kHz | 80MHz x 2tap | Base | 19kHz | 80MHz x 2tap | - | - | - | - | - | - |
| 11 | Full Format1 (*1) | 40kHz | 85MHz x 8tap | Full Format1 (*1) | 80kHz | 85MHz x 8tap | Medium (*1) | 80kHz | 85MHz x 4tap | Base (*1) | 80kHz | 85MHz x 2tap |
| 23 | Full Format2 | 39kHz | 85MHzx8TAP | Full Format2 | 75kHz | 85MHzx8TAP | - | - | - | - | - | - |
| 24 | Full Format2 | 38.5kHz | 80MHzx8TAP | Full Format2 | 75kHz | 80MHzx8TAP | - | - | - | - | - | - |
| 25 | Full Format2 | 24kHz | 50MHzx8TAP | Full Format2 | 47kHz | 50MHzx8TAP | - | - | - | - | - | - |
| 26 | AOI mode (Base) | 40kHz | 85MHzx2TAP | AOI mode (Base) | 75kHz | 85MHzx2TAP | AOI mode (Base) | 75kHz | 85MHzx2TAP | AOI mode (Base) | 75kHz | 85MHzx2TAP |
| 27 | AOI mode (Base) | 38.5kHz | 80MHzx2TAP | AOI mode (Base) | 75kHz | 80MHzx2TAP | AOI mode (Base) | 75kHz | 80MHzx2TAP | AOI mode (Base) | 75kHz | 80MHzx2TAP |
| 28 | AOI mode (Base) | 24kHz | 50MHzx2TAP | AOI mode (Base) | 47kHz | 50MHzx2TAP | AOI mode (Base) | 47kHz | 50MHzx2TAP | AOI mode (Base) | 47kHz | 50MHzx2TAP |

*1...The output width of the CMOS sensor is 9 bit when opck = 11 (denoted by [opck=11]), and it is 10 bit when opck ≠ 11 (denoted by [except 11]). If opck is changed from [11] to [except 11] and vice-versa, the correction value of the FFC will be loaded from EEPROM automatically each time as the behavior of the CMOS sensor is different between [opck=11] and [except 11].

*2...There are several clock speeds and output formats. A user can select clock speed and output format depending on the length of a camera link cable, the speed of a grabber-board, and the total cost.

E. Digital Gain Control (gadt)

gadt;

Set the digital gain.

The possible values are 0-255.

The maximum magnification is four time the gain (in gadt=255).

This is a function of the FPGA.

Digital gain formula is the following.

$$Yw' = (1 + gadt / 64) x (Yw - ffto) + ffto$$

Yw': Level after the digital gain

Yw: Level before the digital gain

ffto: "Offset" target level of FFC

F. Analog Gain Control (gbdt)

gbdt:

This sets the analog gain

On: 4-fold

Off: 1-fold

This is a function of the CMOS sensor. The value will be sent to the corresponding CMOS sensor register.

G. Output bit setting (opbt)

opbt:

This sets the width of the video output.

8: 8 bit

10: 10 bit

H. Check Communication Establishment

cmck:

This checks that the RS232 communication is running.

If you have received the message "OK" the RS232 communication is working.

I. Save / Load / Clear Camera Settings (cmsv / cml d / cmcl)

cmsv: The "CPU RAM" settings stored in the user area of the "CPU EEPROM"

cml d: Load the "CPU EEPROM" settings of the user area into the "CPU RAM"

cmcl: Reset the user area of the "CPU EEPROM". The "CPU RAM" is set to the factory default.

J. To see the "Model", "Firm / FPGA Version" (cmmo / fivr / fpvr)

cmmo: You can see the model number of the camera that is currently connected.

| Model number | Product number |
|--------------|----------------|
| 37 | FS-B2KU7CL |
| 39 | FS-B4KU35CL |
| 36 | FS-B4KU7CL |
| 35 | FS-B8KU35CL |
| 34 | FS-B8KU7CL |
| 33 | FS-B16KU35CL |

fivr: You can see the CPU version of the camera that is currently connected.

fpvr: You can see the FPGA version of the camera that is currently connected.

K. To see active commands (only HyperTerminal) (cmcm)

cmcm;

A list of the active commands will be displayed on the HyperTerminal

Please use only when you communicate with HyperTerminal

Inspection software commands will not be displayed.

L. To see all camera settings (only HyperTerminal) (cmcf)

cmcf:

A list of all the settings will be displayed in HyperTerminal.
Please use only when you communicate with HyperTerminal.
Inspection software commands will not be displayed.

M. Flat Field Correction (FFC)

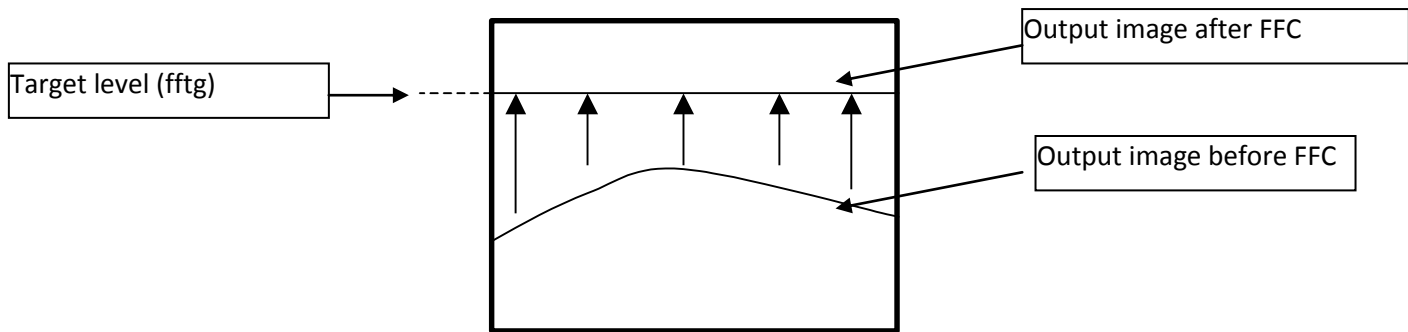
Shade correction is used for correcting non-uniformity of image brightness resulting from the lens or the imager.

In using this camera, Shade Correction should be used because the imager has fixed pattern noise.

In addition, default setting of the shade correction is ON (ffmd=1)

When we ship this camera, we have shade coefficients in ROM.

The coefficients are automatically loaded at power on.



1) Auto Shade Correction Procedure

- ffto=A Set target level to A in a light-shield condition (8 bit)
- ffmd=6 Correct offset level of each pixel in a light-shielding condition in order to make a flat line. (Offset correction value will be calculated only once when *ffmd* is set to 6 from other value).
- fftg=B Set target level to B in a light-receiving condition (8 bit). (The light brightness level must be lower than the target level).
- ffmd=5 Correct offset level of each pixel in a light-receiving condition in order to make a flat line. (Fain correction value will be calculated only once when *ffmd* is set to 5 from other value).
- ffmd=1 Confirm.

2) Manual Shade Correction Procedure (by pixel)

| | |
|-------------------|---|
| ffgo=Y | Select gain or offset correction value. 1: Gain Correction Value 2: Offset Correction Value |
| ffdt=C ffdtl=D | Set correction value. value = $D/16 \times 256 + C \times 16$ Note: D should be multiples of 16 |
| ffmd=4 ffds | Set correction mode to "all pixels". Apply |
| ffmd=1 | Comfirm |

3) Manual Shade Correction Procedures (all pixels)

| | |
|-------------------|---|
| ffgo=Y | Select gain or offset correction value. 1: Gain Correction Value 2: Offset Correction Value |
| ffpl=A ffpu=B | Set a pixel address. addr = $B \times 256 + A$ |
| ffdt=C ffdtl=D | Set correction value. value = $D/16 \times 256 + C \times 16$ Note: D should be multiples of 16 |
| ffmd=3 ffds | Set correction mode to "by pixel". Apply |
| ffmd=1 | Comfirm |

N. Save correction value (FFC)

ffsv:
Save correction value of FFC (Gain and Offset). Transfer the data from the RAM to the EEPROM.
(For more information, please refer to the outline on the camera memories-related FFC).

O. Load Correction Value (FFC)

ffld:
Load correction value of FFC (Gain and Offset). Transfer from EEPROM to RAM.
(For more information, please refer to the Outline on the camera memories-related FFC).

P. Clear FFC RAM (FFC)

If you want to clear the RAM of only offset or of only gain, use these commands.

ffcq: Clear "FFC RAM" of gain.

ffco: Clear "FFC RAM" of offset.

Q. Anti-blooming setting (abmd)

abmd:

Sets Anti-blooming ON/OFF

0: OFF

1: ON

This is a function of the CMOS sensor. You are sending a registry to the CMOS Sensor.

R. User ID (usid)

usid:

When using multiple cameras, you can set the ID for each camera.

The camera ID can be saved by a save command (cmsv) in the user area of the "CPU EEPROM", but cannot be cleared by a clear command.

The possible values are 0-255.

S. Area of Interest (AOI)

AOI is the function that only the specific portion of 1 line is output from the camera.

The start pixel output can be set by using the risu and risl.

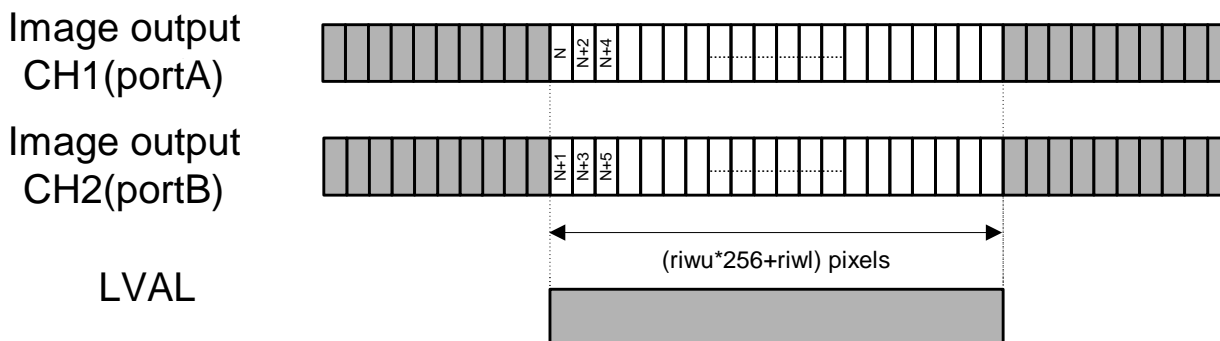
| Product number | The start pixel outputted | |
|----------------|---|---|
| | AOI mode (Base) | AOI mode (Full) |
| FS-B2KU7CL | $N = (\text{risu} * 256 + \text{risl}) * 2 + 1$ | - |
| FS-B4KU35CL | $N = (\text{risu} * 256 + \text{risl}) * 4 + 1$ | - |
| FS-B4KU7CL | $N = (\text{risu} * 256 + \text{risl}) * 2 + 1$ | - |
| FS-B8KU35CL | $N = (\text{risu} * 256 + \text{risl}) * 4 + 1$ | $N = (\text{risu} * 256 + \text{risl}) * 8 + 1$ |
| FS-B8KU7CL | $N = (\text{risu} * 256 + \text{risl}) * 2 + 1$ | $N = (\text{risu} * 256 + \text{risl}) * 8 + 1$ |
| FS-B16KU35CL | $N = (\text{risu} * 256 + \text{risl}) * 2 + 1$ | - |

The width of LVAL can be set by using the command riwu and riwl

The width of LVAL = (riwu * 256 + riwl) pixels

Please set the width of LVAL shorter than the line rate. If the width of LVAL is longer than the line rate, the image isn't output from the camera.

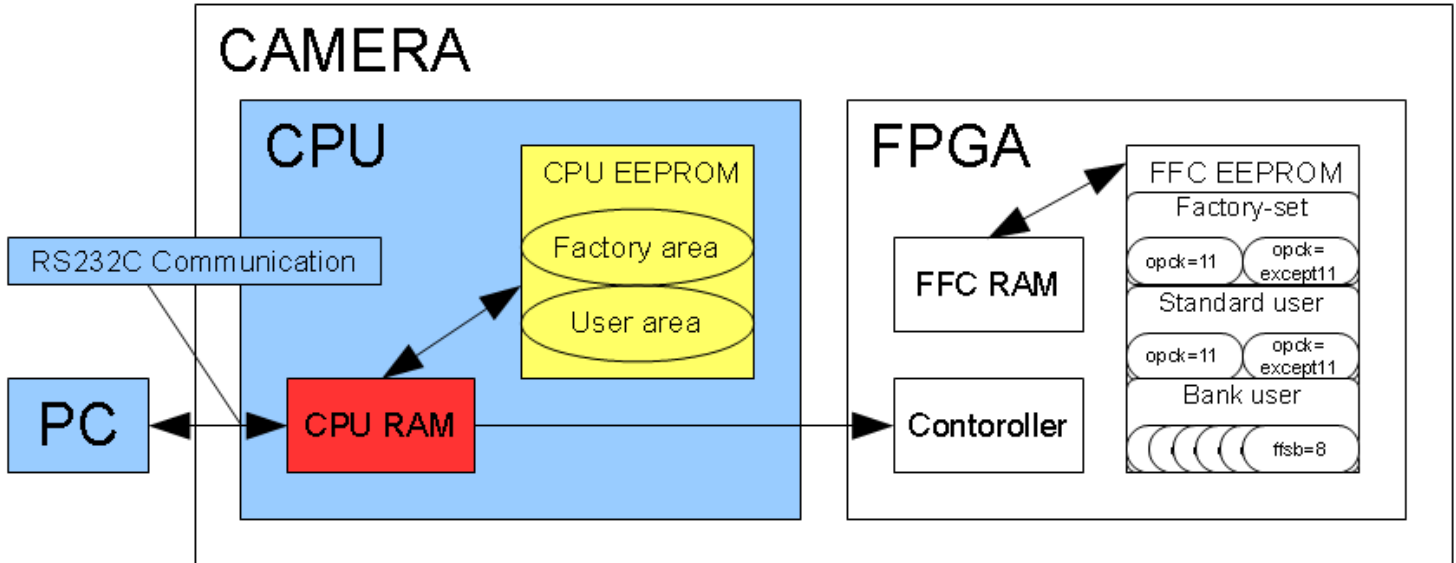
The output format, which is only base configuration, follows:



VIII. Others

A. Outline on the camera memories-related CPU

There are several non-volatile (EEPROM) and volatile (RAM) memories loaded in a camera. Please see the diagram below. This section describes the memory related CPU.



1. CPU RAM

The setting is sent via RS232 communication and is stored in the “CPU RAM”. If a user wants to use the setting of “CPU RAM” later, the data must be saved from “CPU RAM” into “CPU EEPROM” before the power is turned off.

2. CPU EEPROM

“CPU EEPROM” is divided into two areas; “User area” and “Factory area”

Factory area:

Factory setting data is stored here. This is read only and cannot be accessed directly.

User area:

User setting data is stored here. This can be accessed with the commands cmsv / cml.

3. To set factory settings

If a user wants to set the “CPU RAM” settings to the factory default, please send the Clear command (cmcl).

The user area of the “CPU EEPROM” is reset when the Clear command (cmcl) is sent, factory setting will then be loaded into “CPU RAM”.

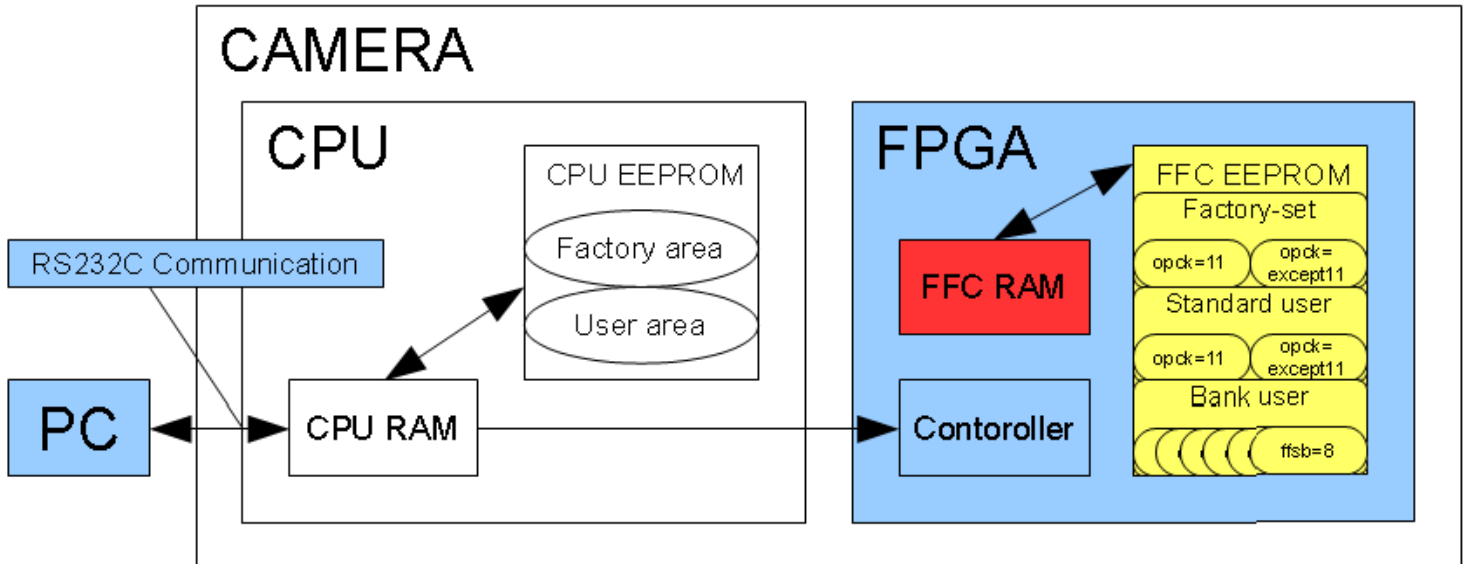
4. Behavior of Power

When the power is turned on, Factory settings are loaded into the “CPU RAM” first. User settings will be loaded afterwards.

Therefore, if nothing is saved in the user settings, “CPU RAM” is set to the factory default.

B. Outline on the camera memories-related FFC

There are several non-volatile (EEPROM) and volatile (RAM) memories loaded in a camera. See the block diagram below. This section describes the memory related FFC.



1. FFC RAM

“FFC RAM” is for storing a correction data of the Offset and Gain of FFC. When you transfer data between “FFC RAM” and “FFC EEPROM”, data of Gain and Offset is 1 set. FFC will be corrected with the data of “FFC RAM”. If a user wants to use the data of “FFC RAM” later, please save the data of “FFC RAM” into “FFC EEPROM” before the power is turned off.

2. FFC EEPROM

“FFC EEPROM” is divided into three separate areas; “Standard user”, “Bank user”, and “Factory-set”.

Factory Set

Factory setting data is stored here. This is a read only area. Factory-set is accessible with the command fflf. The area “Factory-set” is divided into two areas: opck=11 and opck=(all except 11) as the behavior of the CMOS sensor is different between opck=11 and opck=all except 11. When you send “FFC EEPROM” the access command (fflf), the accessing area will change depending on the state of the opck automatically.

Standard User

This area is for a single bank user. When ffum=0, then Standard User should be accessed. Standard User is accessible with the commands ffsv / ffld. The area “Standard user” is divided into two areas; opck=11 and opck=(all except 11), as the behavior of the CMOS sensor is different between opck=11 and opck=all except 11. When the “FFC EEPROM” is sent an access command (ffsv / ffld), the accessing area will change depending on the opck.

Bank user

You can store several patterns of correction data. When ffum=1, then Bank user should be accessed. Bank user is accessed with the commands (ffsv / ffld). The Bank user area is divided into eight areas. The area is switched by the command ffsb. Note that the areas cannot be switched depending on opck.

3. Behavior of Power

When the power is turned on, the “FFC EEPROM” will be loaded into “FFC RAM” from a predetermined area of the “FFC EEPROM” by the state of ffum / ffsb / opck.

IX. Test Patterns

A. FS-B2KU7CL-C, FS-B2KU7CL-F

Test Pattern 1 (tsmd=1)



Test Pattern 2 (tsmd=2)



Test Pattern 3 (tsmd=3)

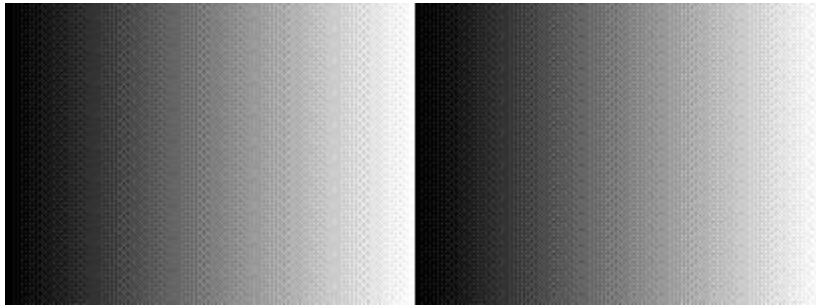


Test Pattern 4 (tsmd=4)

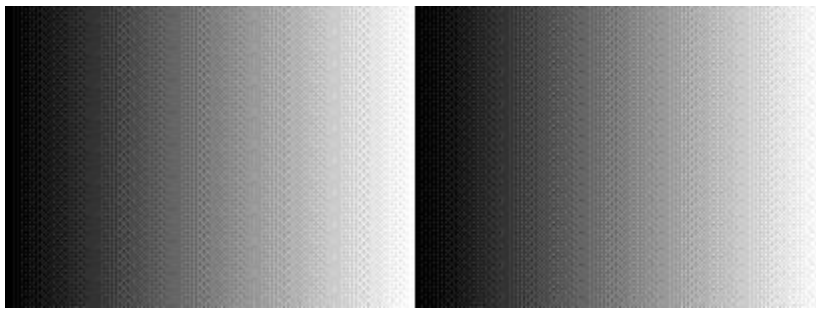


B. FS-B4KU7CL-C / FS-B4KU7CL-F, FS-B4KU35CL-C / FS-B4KU35CL-F

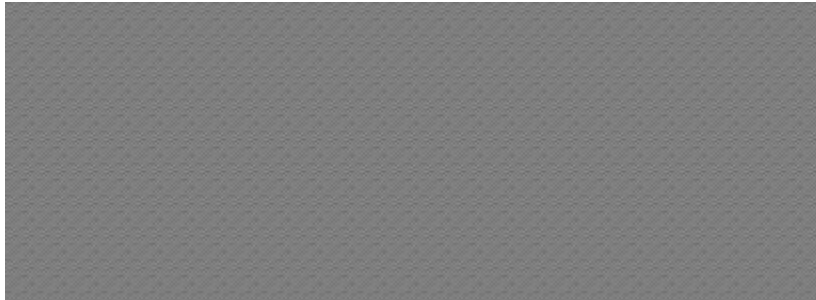
Test Pattern 1 (tsmd=1)



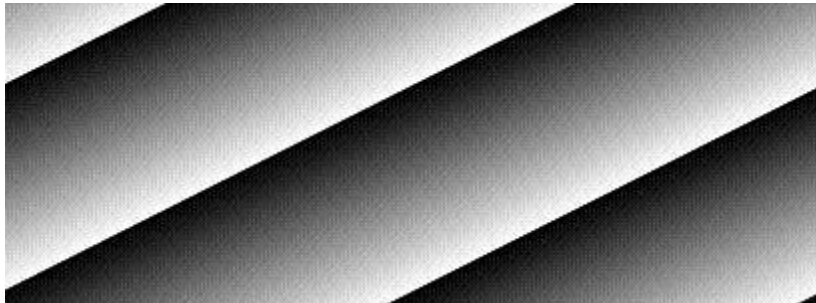
Test Pattern 2 (tsmd=2)



Test Pattern 3 (tsmd=3)



Test Pattern 4 (tsmd=4)



C. FS-B8KU35CL-F, FS-B8KU7CL-M72

Test Pattern 1 (tsmd=1)



Test Pattern 2 (tsmd=2)



Test Pattern 3 (tsmd=3)



Test Pattern 4 (tsmd=4)



D. FS-B16KU35CL-M72

Test Pattern 1 (tsmd=1)



Test Pattern 2 (tsmd=2)



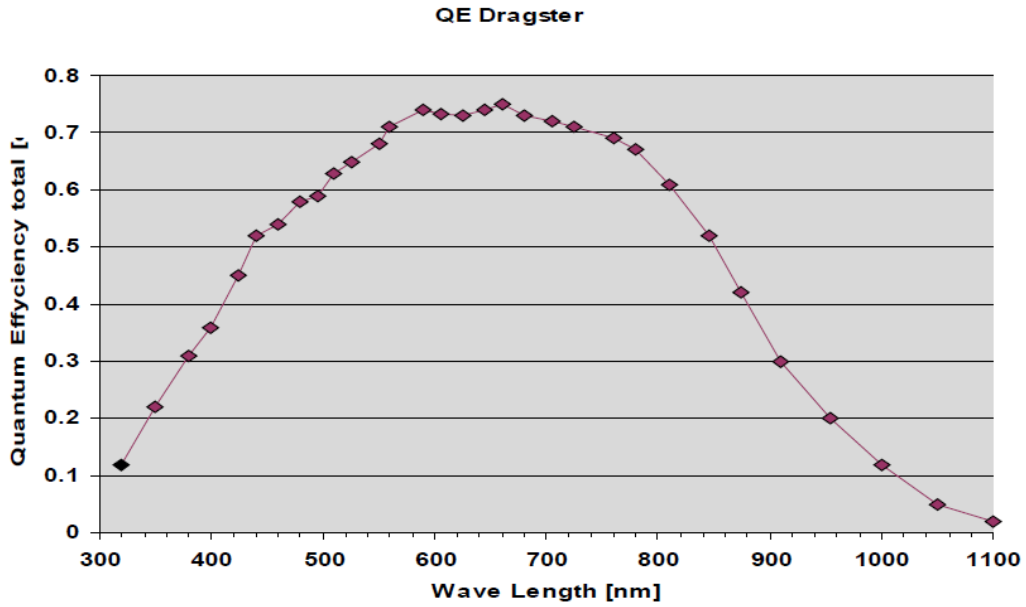
Test Pattern 3 (tsmd=3)



Test Pattern 4 (tsmd=4)

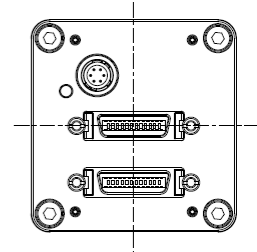
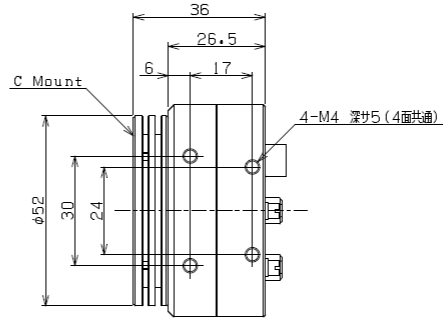
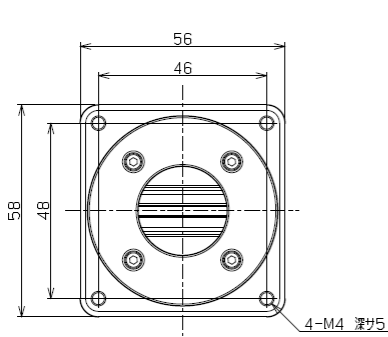
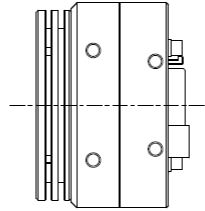
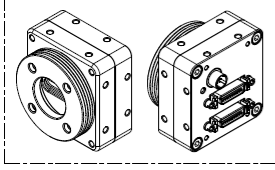


X. Quantum Efficiency



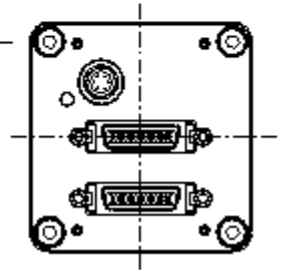
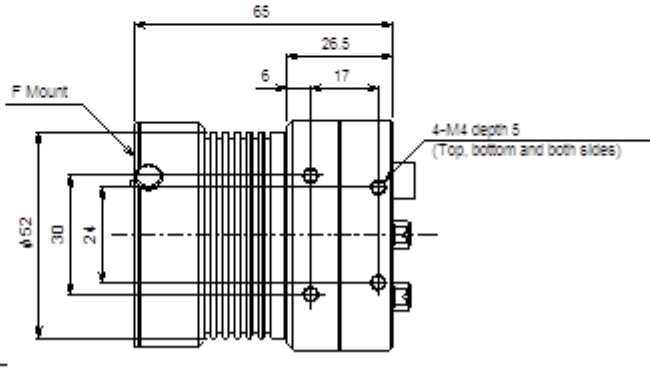
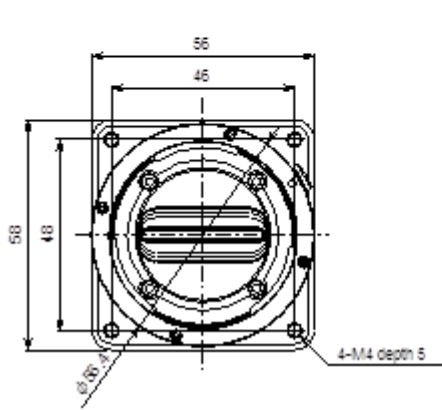
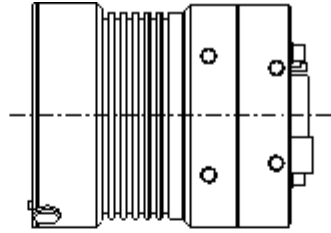
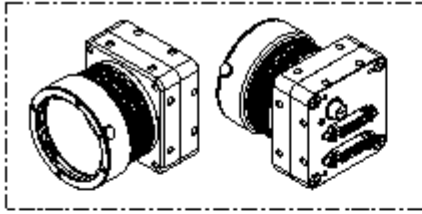
XI. Dimension

A. FS-B2KU7CL-C



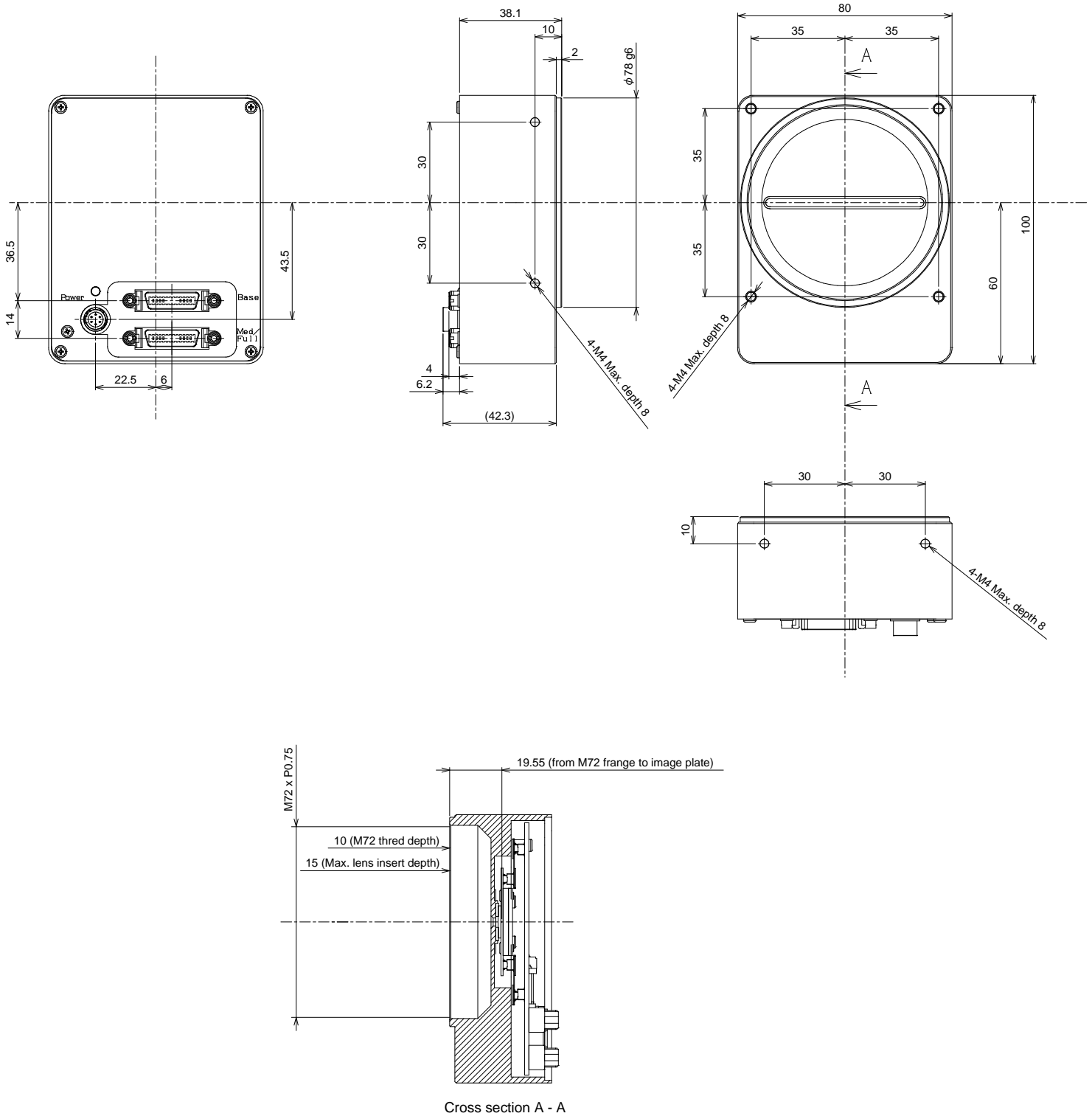
Unit: mm

B. FS-B8KU35CL-F, FS-B4KU7CL-F, FS-B4KU35CL-F, FS-B2KU7CL-F



Unit: mm

C. FS-B16KU35CL-M72, FS-B8KU7CL-M72



Revisions

| Rev | Date | Change | Notes |
|------|----------------|--|-------|
| 1.03 | May 24, 2012 | New Doc | |
| 1.04 | June 19, 2012 | Added AOI Updated Maximum Line Rate for 16k | |
| 1.09 | April 10, 2013 | Update | |

Senor Technologies America, Inc.

1345 Valwood Parkway, Suite 320
Carrollton, Texas 75006-6891
TEL (972)481-9223 FAX(972) 481-9209
URL <http://www.sentechamerica.com/>

Sensor Technology Co., Ltd.

7F, Harada Center Building
9-17, Naka cho 4 chome
Atsugi-city, Kanagawa
243-0018 Japan
TEL +81-46-295-7061 FAX +81-46-295-7066
URL <http://www.sentech.co.jp/>

Taiwan Sensor Technology, Inc.

3F-6, No. 9, Aiguo W, Rd., Jhong Jheng
District Taipei City 100, Taiwan, R.O.C.
TEL 886-2-2383-2331
FAX 886-2-2370-8775
EMAIL sentech0501@yahoo.com.tw