

Indoor and Outdoor Dome Mounts

www.boschsecurity.com



BOSCH
Invented for life



- ▶ Sturdy construction
- ▶ Easy installation
- ▶ Anti-rust treated

This family of mounts is specifically designed for indoor and outdoor dome cameras. It includes an indoor and outdoor wall mount, and an indoor and outdoor pipe mount. All of these mounts are easy to install and have a sturdy construction.

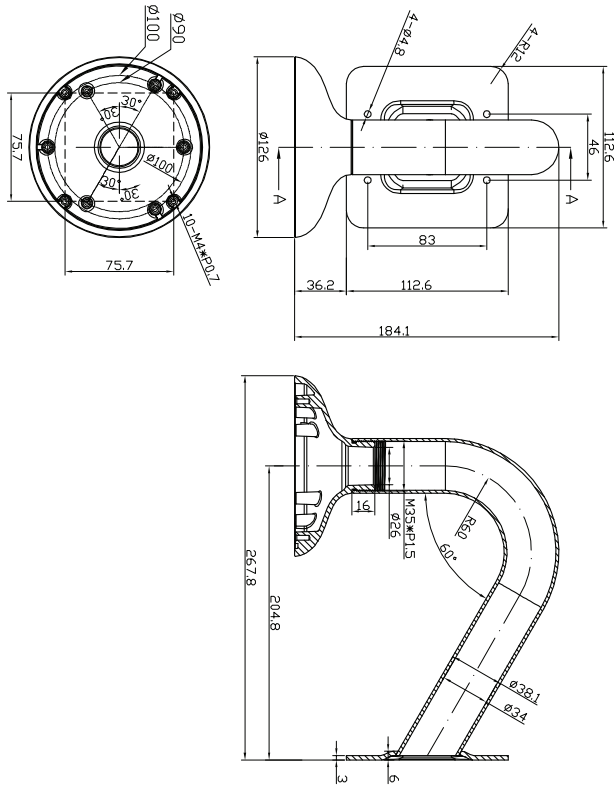
System overview

Type number	Camera
VDA-WMT-AIDOME	VDC-250, VDC-260 VDC-275, VDN-276, VDN-295 VDC-240, VDN-240, VDI-240, VDI-245 VDC-242, VDN-242, VDN-244, VDI-244
VDA-PMT-AIDOME	VDC-250, VDC-260 VDC-275, VDN-276, VDN-295 VDC-240, VDN-240, VDI-240, VDI-245 VDC-242, VDN-242, VDN-244, VDI-244

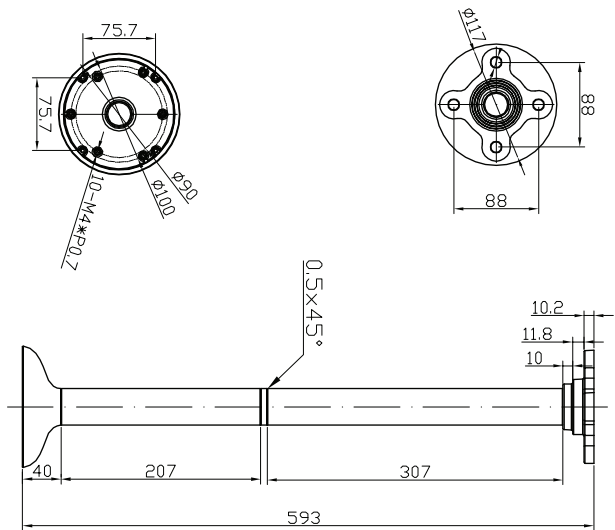
Type number	Camera
VDA-WMT-AODOME	VDC-240, VDN-240, VDI-240, VDI-245 VDC-242, VDN-242, VDN-244, VDI-244
VDA-PMT-AODOME	VDC-240, VDN-240, VDI-240, VDI-245 VDC-242, VDN-242, VDN-244, VDI-244

Installation/configuration notes

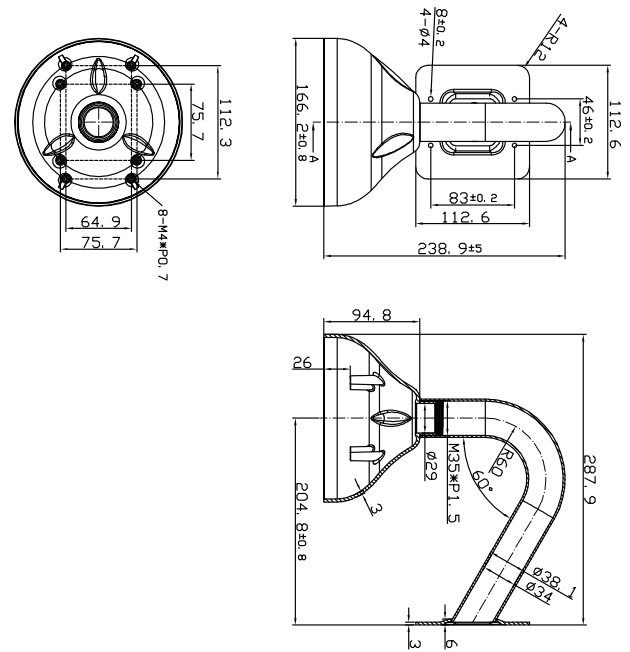
VDA-WMT-AIDOME – Indoor wall mount dimensions



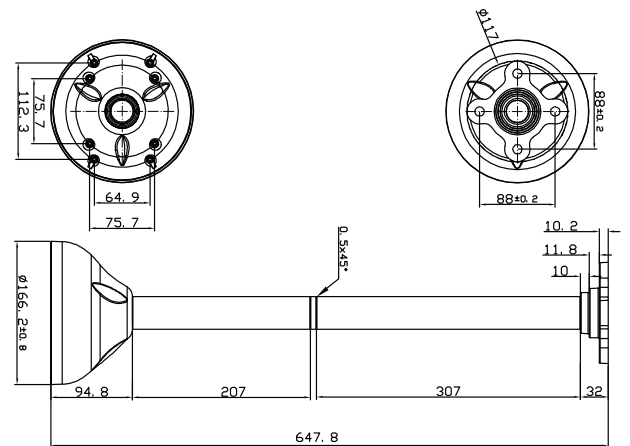
VDA-PMT-AIDOME – Indoor pipe mount dimensions



VDA-WMT-AODOME – Outdoor wall mount dimensions



VDA-PMT-AODOME – Outdoor pipe mount dimensions



Technical specifications

Dome – indoor wall mount

Construction material	Aluminum alloy
Finish	RAL 9003 signal white
Weight	0.48 kg (1.06 lb)

Dome – indoor pipe mount

Construction material	Aluminum alloy
Finish	RAL 9003 signal white
Weight	0.71 kg (1.56 lb)

Dome – outdoor wall mount

Construction material	Aluminum alloy
Finish	RAL 9003 signal white
Weight	0.69 kg (1.52 lb)

Dome – outdoor pipe mount

Construction material	Aluminum alloy
Finish	RAL 9003 signal white
Weight	0.94 kg (2.07 lb)

Ordering information

Indoor Wall Mount

Order number **VDA-WMT-AIDOME**

Indoor Pipe Mount

Order number **VDA-PMT-AIDOME**

Outdoor Wall Mount

Order number **VDA-WMT-AODOME**

Outdoor Pipe Mount

Order number **VDA-PMT-AODOME**

Represented by:

Americas:

Bosch Security Systems, Inc.
130 Perinton Parkway
Fairport, New York, 14450, USA
Phone: +1 800 289 0096
Fax: +1 585 223 9180
security.sales@us.bosch.com
www.boschsecurity.us

Europe, Middle East, Africa:

Bosch Security Systems B.V.
P.O. Box 80002
5617 BA Eindhoven, The Netherlands
Phone: + 31 40 2577 284
Fax: +31 40 2577 330
emea.securitysystems@bosch.com
www.boschsecurity.com

Asia-Pacific:

Robert Bosch (SEA) Pte Ltd, Security Systems
11 Bishan Street 21
Singapore 573943
Phone: +65 6571 2808
Fax: +65 6571 2699
apr.securitysystems@bosch.com
www.boschsecurity.asia

China:

Bosch (Shanghai) Security Systems Ltd.
201 Building, No. 333 Fuquan Road
North IBP
Changning District, Shanghai
200335 China
Phone +86 21 22181111
Fax: +86 21 22182398
www.boschsecurity.com.cn

America Latina:

Robert Bosch Ltda Security Systems Division
Via Anhanguera, Km 98
CEP 13065-900
Campinas, Sao Paulo, Brazil
Phone: +55 19 2103 2860
Fax: +55 19 2103 2862
al.securitysystems@bosch.com
www.boschsecurity.com