

# IP200 Dome camera mounts

[www.boschsecurity.com](http://www.boschsecurity.com)



**BOSCH**

Invented for life



- ▶ Sturdy construction
- ▶ Easy installation
- ▶ Anti-rust treated

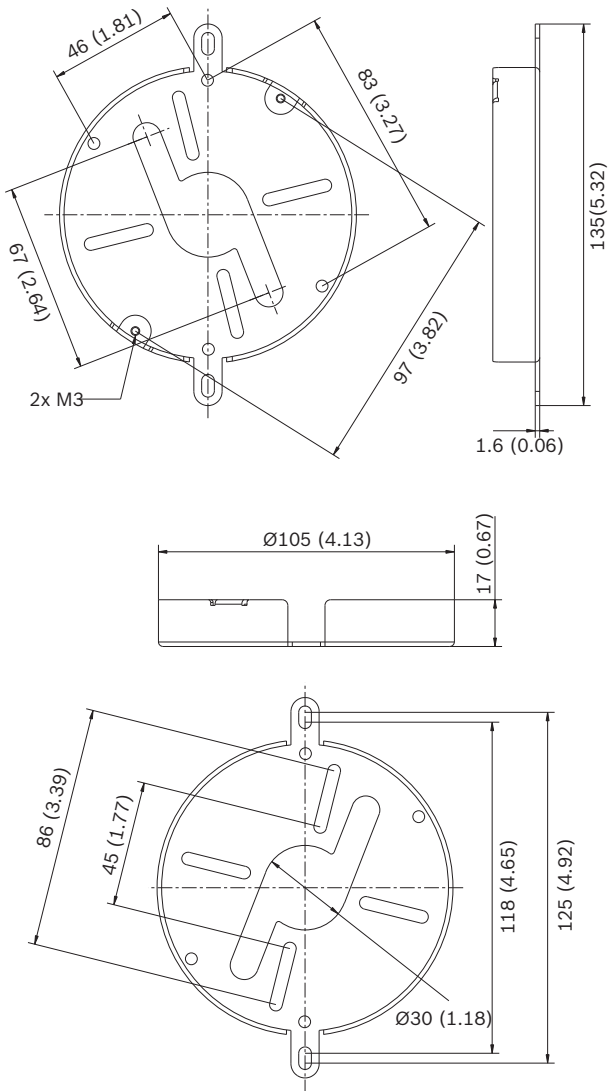
This family of mounts and brackets is specifically designed for the IP200 Series of dome cameras. It includes two adapter brackets, a wall mount bracket, and a flush mount bracket. All of these brackets are easy to install and have a sturdy construction.

## System Overview

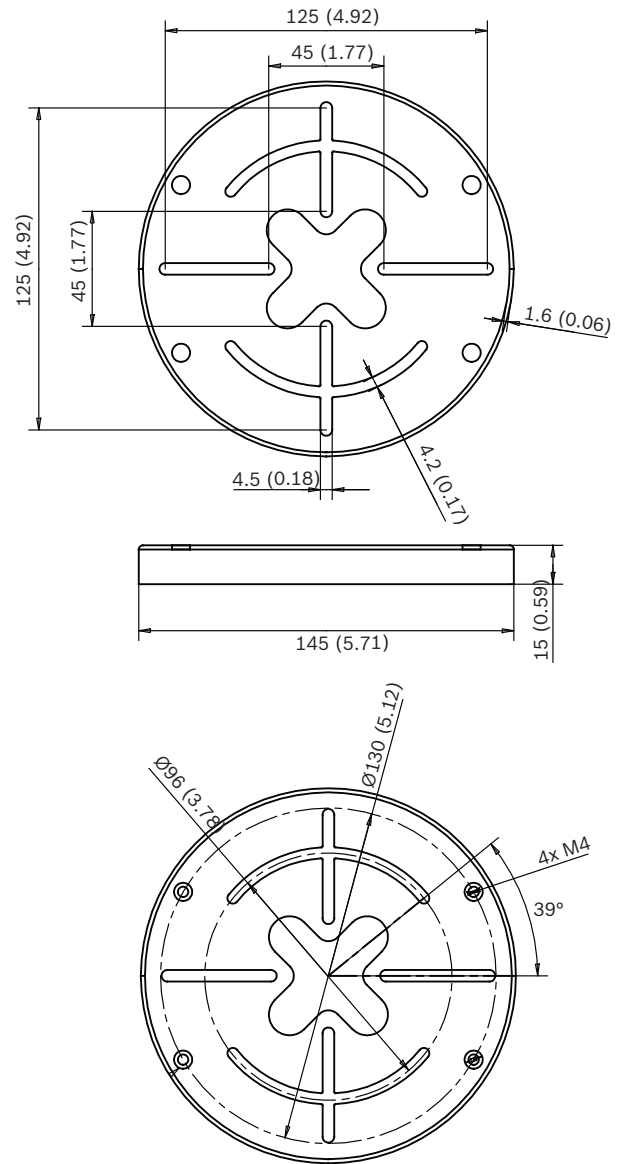
Type number	Camera
NDA-MBR-DOME	NDC-274-P
NDA-MBRO-DOME	NDN-265-PIO
VDA-FMT-IP200DOME	NDC-255-P NDC-225-P NDC-265-P NDC-225-PI
NDA-WMT-DOME	NDC-274-P NDC-255-P NDC-225-P NDC-265-P NDC-225-PI NDN-265-PIO

Installation/Configuration Notes

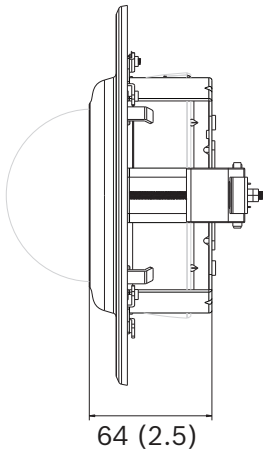
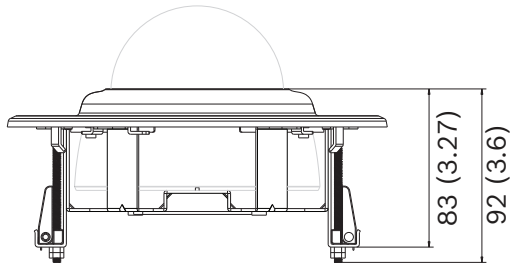
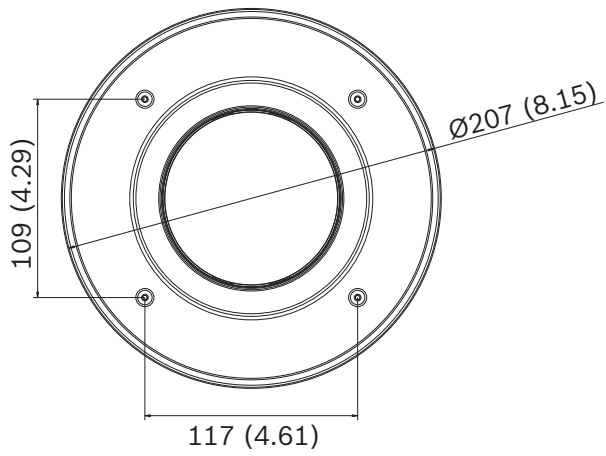
**NDA-MBR-DOME - MicroDome adapter bracket dimensions**



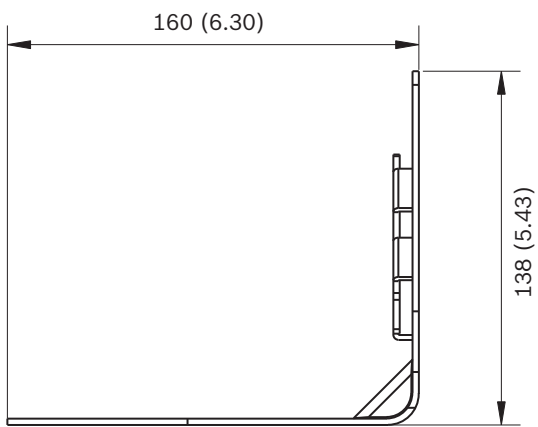
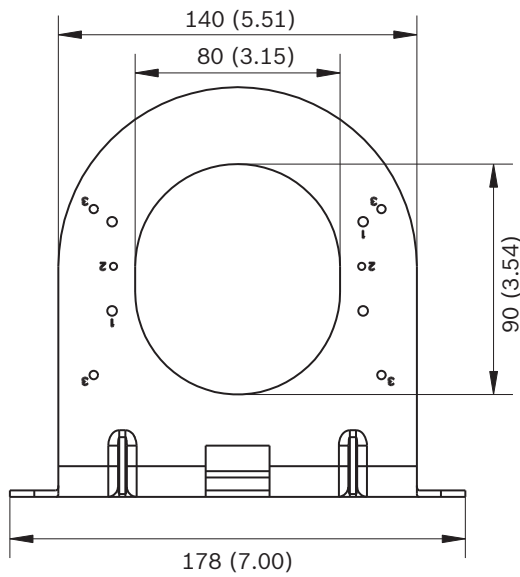
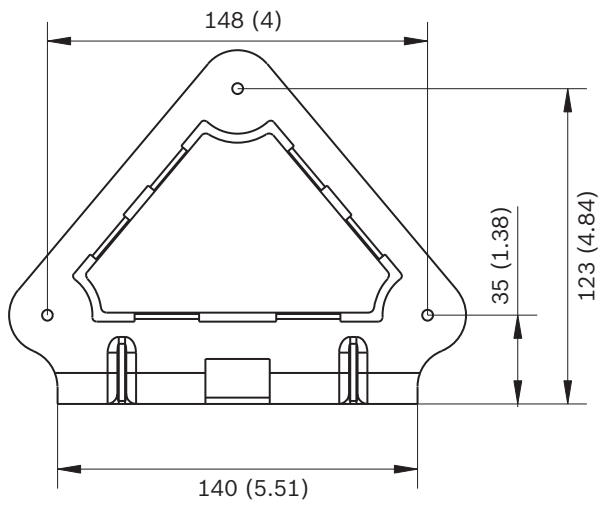
**NDA-MBRO-DOME - Dome adapter bracket dimensions**



**VDA-FMT-IP200DOME - Dome flush mount dimensions**



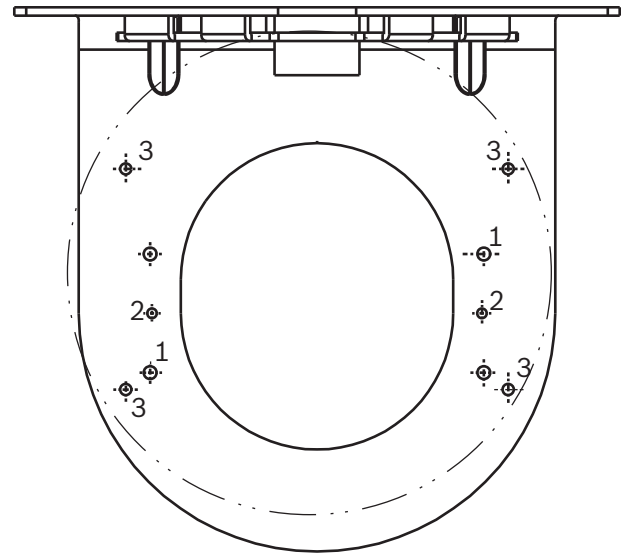
**NDA-WMT-DOME - Wall mount dimensions**



mm (in)

**Dome wall mount hole assignment**

Refer to the following diagram and table to see which holes should be used for the various cameras.



Hole number	Camera	Screws
1	NDC-255-P, NDC-225-P, NDC-265-P, NDC-225-PI	M4
2	NDC-274-P	M3
3	NDN-265-PIO	M4

## Technical Specifications

### MicroDome adapter bracket

Construction material	SECC
Finish	RAL 9003 signal white
Weight	0.12 kg (0.26 lb)

### Dome adapter bracket

Construction material	SECC
Finish	RAL 9003 signal white
Weight	0.22 kg (0.48 lb)

### Dome flush mount bracket

Construction material	Metal: SECC Plastic: PC+ABS
Finish	RAL 9003 signal white
Weight	0.73 kg (1.61 lb)

### Dome wall mount bracket

Construction material	SPCC
Finish	RAL 9003 signal white
Weight	0.51 kg (1.12 lb)

## Ordering Information

### IP200 MiniDome flush mount bracket

Flush mount ceiling kit for IP200 MiniDome camera  
Order number **VDA-FMT-IP200DOME**

### IP200 MiniDome/MircoDome cameras wall mount

IP200 MiniDome/MircoDome cameras wall mount  
Order number **NDA-WMT-DOME**

### IP200 MicroDome camera adapter bracket

IP200 MicroDome camera adapter bracket  
Order number **NDA-MBR-DOME**

### IP200 MiniDome camera adapter bracket

IP200 MiniDome camera adapter bracket for 4S box  
Order number **NDA-MBRO-DOME**

#### Represented by:

##### Americas:

Bosch Security Systems, Inc.  
130 Perinton Parkway  
Fairport, New York, 14450, USA  
Phone: +1 800 289 0096  
Fax: +1 585 223 9180  
security.sales@us.bosch.com  
www.boschsecurity.us

##### Europe, Middle East, Africa:

Bosch Security Systems B.V.  
P.O. Box 80002  
5617 BA Eindhoven, The Netherlands  
Phone: + 31 40 2577 284  
Fax: +31 40 2577 330  
emea.securitysystems@bosch.com  
www.boschsecurity.com

##### Asia-Pacific:

Robert Bosch (SEA) Pte Ltd, Security  
Systems  
11 Bishan Street 21  
Singapore 573943  
Phone: +65 6571 2808  
Fax: +65 6571 2699  
apr.securitysystems@bosch.com  
www.boschsecurity.asia

##### China:

Bosch (Shanghai) Security Systems Ltd.  
201 Building, No. 333 Fuquan Road  
North IBP  
Changning District, Shanghai  
200335 China  
Phone +86 21 22181111  
Fax: +86 21 22182398  
www.boschsecurity.com.cn

##### America Latina:

Robert Bosch Ltda Security Systems Division  
Via Anhanguera, Km 98  
CEP 13065-900  
Campinas, Sao Paulo, Brazil  
Phone: +55 19 2103 2860  
Fax: +55 19 2103 2862  
al.securitysystems@bosch.com  
www.boschsecurity.com