

# The Wise Choice for Professionals



## SNO-6084R

2MP 1080p Full HD Weatherproof Network IR Camera

- Max. 2M (1920 x 1080) resolution, 1080p Full HD support
- 60fps@1080p Full HD
- Simple focus
- 3 ~ 8.5mm (2.8x) motorized varifocal lens
- Day & Night (ICR), Enhanced DIS, Defog
- WDR (100dB, 30fps@2MP)
- Built-in SD/SDHC/SDXC memory slot
- Multi-crop streaming, IP66, IK10

The SNO-6084R is a camera from Samsung Techwin WiseNetIII network ranges, which feature the most advanced functions from Samsung with 2 megapixel 1080p high definition images. Its high level of functionalities includes 100dB WDR which delivers 30fps at 2 megapixel 1080p, built-in IR LEDs creating clear images even in the darkness of 0 lux, and motorized varifocal lens which result in easy focus control. With enhanced features and new technologies to combat the challenges of tough environmental conditions, the SNO-6084R will meet the professional security needs of the market. Rated to IP66 with integrated sunshield and supplied with a mounting bracket that allows the camera to be installed either wall, surface or ceiling mount to ensure the required field of view can be obtained every time.



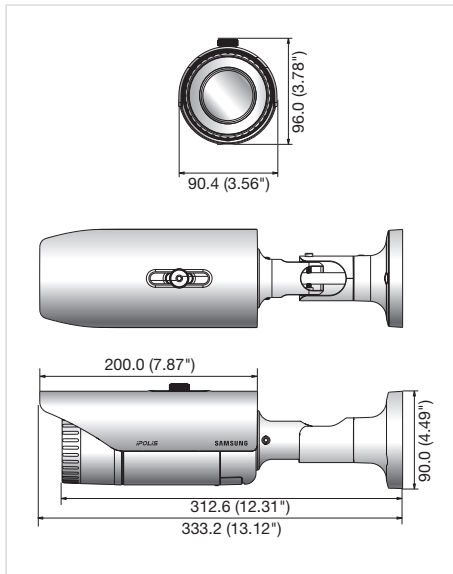
## Specifications



	SNO-6084RN/P
<b>VIDEO</b>	
Imaging Device	1/2.8" PS Exmor 2.38M CMOS
Total Pixels	1,952(H) x 1,116(V)
Effective Pixels	1,944(H) x 1,104(V)
Scanning System	Progressive
Min. Illumination	Color : 0.1Lux (1/30sec, F1.2, 50IRE), 0.0017Lux (2sec, F1.2, 50IRE), B/W : 0Lux (IR LED on)
S / N Ratio	50dB
Video Output	CVBS : 1.0 Vp-p / 75Ω composite, 704 x 480(N), 704 x 576(P), for installation, DIP connector type
<b>LENS</b>	
Focal Length (Zoom Ratio)	3 ~ 8.5mm (2.8x) motorized varifocal
Max. Aperture Ratio	F1.2
Angular Field of View	H : 105.5°(Wide) ~ 37.1°(Tele) / V : 57.5°(Wide) ~ 21.0°(Tele)
Min. Object Distance	0.5m (1.64ft)
Focus Control	Simple focus (Motorized V/F) / Manual, Remote control via network (Manual, Simple focus)
Lens Type	DC auto iris
Mount Type	Board-in type
<b>OPERATIONAL</b>	
IR LED	20ea
Viewable Length	30m (98.43ft)
Camera Title	Off / On (Displayed up to 45 characters)
Day & Night	Auto (ICR) / Color / B/W / External / Schedule
Backlight Compensation	Off / BLC
Wide Dynamic Range	100dB+
Contrast Enhancement	SSDR (Samsung Super Dynamic Range) (Off / On)
Digital Noise Reduction	SSNR III (2D+3D noise filter) (Off / On)
Digital Image Stabilization	Off / On
Defog	Off / Auto / Manual
Motion Detection	Off / On (4ea 4points polygonal zones)
Privacy Masking	Off / On (32zones with 4points of polygonal)
Gain Control	Off / Low / Middle / High
White Balance	ATW / AWC / Manual / Indoor / Outdoor
Electronic Shutter Speed	Minimum / Maximum / Anti flicker
Flip / Mirror	Off / On
Intelligent Video Analytics	Tampering, Virtual line, Enter/Exit, Appear / Disappear, Audio detection, Face detection
Alarm I/O	Input 1ea / Output 1ea
Alarm Triggers	Motion detection, Tempering, Audio detection, Face detection, Video analytics, Network disconnection, Alarm input
Alarm Events	File upload via FTP and E-mail, Notification via E-mail, TCP, Local storage (SD/SDHC/SDXC) recording at Network disconnected & Event (Alarm triggers), External output
<b>NETWORK</b>	
Ethernet	RJ-45 (10/100BASE-T)
Video Compression Format	H.264 (MPEG-4 part 10/AVC), MJPEG
Resolution	1920 x 1080, 1280 x 1024, 1280 x 960, 1280 x 720, 1024 x 768, 800 x 600, 800 x 450, 640 x 480, 640 x 360, 320 x 240, 320 x 180
Max. Framerate	H.264 : Max. 60fps at all resolutions MJPEG : 1920 x 1080, 1280 x 1024, 1280 x 960, 1280 x 720, 1024 x 768 : Max. 15fps 800 x 600, 800 x 450, 640 x 480, 640 x 360, 320 x 240, 320 x 180 : Max. 30fps
Video Quality Adjustment	H.264 : Compression level, Target bitrate level control, MJPEG : Quality level control
Bitrate Control Method	H.264 : CBR or VBR, MJPEG : VBR
Streaming Capability	Multiple streaming (Up to 10 profiles)
Audio In	Selectable (Mic in / Line in), Max output level : 1 Vrms Supply voltage : 2.5V DC (4mA), Input impedance : approx. 2K Ohm
Audio Out	Line out (3.5mm stereo mini jack)
Audio Compression Format	G.711 u-law / G.726 selectable, G.726 (ADPCM) 8KHz, G.711 8KHz G.726 : 16Kbps, 24Kbps, 32Kbps, 40Kbps
Audio Communication	Bi-directional audio
IP	IPv4, IPv6
Protocol	TCP/IP, UDP/IP, RTP/UDP, RTP(TCP), RTCP, RTSP, NTP, HTTP, HTTPS, SSL, DHCP, PPPoE, FTP, SMTP, ICMP, IGMP, SNMPv1/v2c/v3(MIB-2), ARP, DNS, DDNS, QoS, PIM-SM, UPnP, Bonjour
Security	HTTPS/SSL login authentication, Digest login authentication IP address filtering, User access log, 802.1x authentication
Streaming Method	Unicast / Multicast
Max. User Access	15 users at unicast mode
Memory Slot	Micro SD/SDHC/SDXC
Application Programming Interfac	Motion images recorded in the SDXC/SDHC/SD memory card can be downloaded
Webpage Language	ONVIF profile S, HTTP API v2.0, SVPN 1.2 English, French, German, Spanish, Italian, Chinese, Korean, Russian, Japanese, Swedish, Danish, Portuguese, Turkish, Polish, Czech, Rumanian, Serbian, Dutch, Croatian, Hungarian, Greek, Norwegian, Finnish
Web Viewer	Supported OS : Windows XP / VISTA / 7 / 8, MAC OS X 10.7 Supported Browser : Microsoft Internet Explorer (Ver. 10, 9, 8, 7), Mozilla Firefox (Ver. 19, 18, 17, 16, 15, 14, 13, 12, 11, 10, 9), Google Chrome (Ver. 25, 24, 23, 22, 21, 20, 19, 18, 17, 16, 15), Apple Safari (Ver. 6.0.2(Mac OS X 10.8, 10.7 only), 5.1.7) * Mac OS X only
Central Management Software	SmartViewer 4.0
<b>ENVIRONMENTAL</b>	
Operating Temperature / Humidity	24V AC : -50°C ~ +55°C (-58°F ~ +131°F) / Less than 90% RH 12V DC, PoE : -10°C ~ +55°C (+14°F ~ +131°F) / Less than 90% RH
Storage Temperature / Humidity	-30°C ~ +60°C (-22°F ~ +140°F) / Less than 90% RH
Ingress Protection	IP66 grade
Vandal Resistance	IK10
<b>ELECTRICAL</b>	
Input Voltage / Current	12V DC, 24V AC, PoE (IEEE802.3af)
Power Consumption	Max. 11W (Heater off), Max. 17W (24V AC - Heater on)
<b>MECHANICAL</b>	
Color / Material	Dark gray / Metal
Dimensions (WxHxD)	90.4 x 96.0 x 333.2mm (3.56" x 3.78" x 13.12")
Weight	1.19Kg (2.62 lb)

## Dimensions

Unit : mm (inch)



The Eco mark represents Samsung Techwin's will to create environment-friendly products, and indicates that the product satisfies the EU RoHS Directive.

\* Data recorded on an SD memory card may be lost or damaged by data access during power-off, mechanical shock, memory card detachment, or other operations. Data loss or damage can also occur when a memory card reaches end of life, which varies according to operational conditions. No guarantee is given against damage (including passive damage).

Design and specifications are subject to change without notice.

## DISTRIBUTED BY

**SAMSUNG TECHWIN CO., LTD.** 701, Sampyeong-dong, Bundang-gu, Seongnam-si, Gyeonggi-do Korea 463-400  
Tel : +82-70-7147-8741~8749, 8752~8760 Fax : +82-31-8018-3745 www.samsungsecurity.com www.samsungcctv.com

**SAMSUNG TECHWIN AMERICA INC.**  
100 Challenger Rd., Suite 700 Ridgely Park, NJ 07660  
Toll Free : +1-877-213-1222 Direct : +1-201-325-6920  
Fax : +1-201-373-0124

**SAMSUNG TECHWIN EUROPE LTD.**  
2st floor No5, The Height, Brookland, Weybridge, Surrey, U.K.  
KT13 0NY  
Tel : +44-1932-82-6700 Fax : +44 1932 82 6701

**SHANGHAI SAMSUNG TECHWIN CO., LTD.**  
32F, Bk B, International Business Center,  
No. 391 Guiping Rd., Shanghai, China, 200233  
Tel : +86-21-5427-1155 Fax : +86-21-5423-5122



**SAMSUNG TECHWIN**