

Upgraded image quality



SCD-2022

Premium Resolution Dome Camera

- High resolution of 700TV lines
- Min. Illumination 0.15Lux color (F1.2, 50IRE)
- Built-in fixed lens 3.8mm
- Day & Night (Electrical) SSNRIII, Defog
- Coax : Pelco-C (Coaxitron), Dual power

The SCD-2022 is a discreet general purpose fixed dome camera suitable for a wide range of applications. Incorporating 6th Winner engine from Samsung Techwin, it features 700TV lines of premium level resolution at sharp mode and other core functionalities such as SSNRIII, software day & night, and defog. Providing clear images under challenging environment, the SCD-2022 would be a perfect solution for who is looking for a cost effective high quality video surveillance camera.

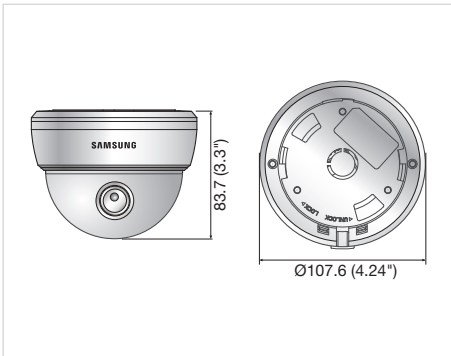


Specifications

	SCD-2022N	SCD-2022P
VIDEO		
Imaging Device	1/3" Super HAD CCD II	
Total Pixels	1,020(H) x 508(V)	1,020(H) x 596(V)
Effective Pixels	976(H) x 494(V)	976(H) x 582(V)
Scanning System	2 : 1 Interlace	
Synchronization	Internal	
Frequency	H : 15.734KHz / V : 59.94Hz	H : 15.625KHz / V : 50Hz
Horizontal Resolution	700TV lines (ER mode)	
Min. Illumination	0.15Lux@F1.2 (50IRE), 0.0002Lux (Sens-up, 512x)	
S / N Ratio	52dB (AGC off, Weight on)	
Video Output	CVBS : 1.0 Vp-p / 75Ω composite	
LENS		
Focal Length (Zoom Ratio)	3.8mm (Fixed)	
Max. Aperture Ratio	F2.0	
Angular Field of View	H : 78° / V : 59°	
Min. Object Distance	0.4m (1.31ft)	
Lens Type	Fixed	
Mount Type	Board type	
PAN / TILT		
Pan Range	0° ~ 352°	
Tilt Range	0° ~ 75°	
OPERATIONAL		
On Screen Display	English, Japanese, Spanish, French, Portuguese, Korean	English, French, German, Spanish, Italian, Chinese, Russian, Polish, Czech, Romanian, Serbian, Swedish, Danish, Turkish, Portuguese
Camera Title	Off / On (Displayed 15 characters)	
Day & Night	Auto (Electrical) / Color / B/W	
Backlight Compensation	Off / BLC / HLC	
Contrast Enhancement	SSDR (Off / On)	
Digital Noise Reduction	SSNR III (Off / On)	
Defog	Off / Auto / Manual	
Motion Detection	Off / On	
Privacy Masking	Off / On (8 programmable zones)	
Sens-up (Frame Integration)	2x ~ 512x	
Gain Control	Off / Low / Middle / High	
White Balance	ATW / Outdoor / Indoor / Manual / AWC (1,800°K ~ 10,500°K)	
Electronic Shutter Speed	1/60 ~ 1/120,000sec	1/50 ~ 1/120,000sec
Reverse	H-Rev (Off / On)	
Communication	Coaxial control (SPC-300 compatible)	
Protocol	Coax : Pelco-C (Coaxitron)	
ENVIRONMENTAL		
Operating Temperature / Humidity	-10°C ~ +55°C (+14°F ~ +131°F) / Less than 90% RH	
ELECTRICAL		
Input Voltage / Current	12V DC ±10%	
Power Consumption	Max. 1.2W	
MECHANICAL		
Color / Material	Ivory / Plastic (Dome cover : Smoked)	
Dimensions (WxHxD)	Ø107.6 x 83.7mm (Ø4.24" x 3.3")	
Weight	233g (0.51 lb)	

Dimensions

Unit : mm (inch)



The Eco mark represents Samsung Techwin's will to create environment-friendly products, and indicates that the product satisfies the EU RoHS Directive.

Design and specifications are subject to change without notice.

DISTRIBUTED BY

SAMSUNG TECHWIN CO., LTD. 701, Sampyeong-dong, Bundang-gu, Seongnam-si, Gyeonggi-do Korea 463-400
Tel : +82-70-7147-8741~8749, 8752~8760 Fax : +82-31-8018-3745 www.samsungsecurity.com www.samsungcctv.com

SAMSUNG TECHWIN AMERICA INC.
100 Challenger Rd., Suite 700 Ridgely Park, NJ 07660
Toll Free : +1-877-213-1222 Direct : +1-201-325-6920
Fax : +1-201-373-0124

SAMSUNG TECHWIN EUROPE LTD.
2st floor No5, The Height, Brookland, Weybridge, Surrey, U.K.
KT13 0NY
Tel : +44-1932-82-6700 Fax : +44 1932 82 6701

SHANGHAI SAMSUNG TECHWIN CO., LTD.
32F, Bk B, International Business Center,
No. 391 Guiping Rd., Shanghai, China, 200233
Tel : +86-21-5427-1155 Fax : +86-21-5423-5122

**SAMSUNG TECHWIN**