

VARIO HYBRID



Combined Infra-Red and White-Light in a single unit

VARIO hybrid provides an all-in-one solution, seamlessly combining Raytec's latest Infra-Red and White-Light LED technology – all housed in a single unit for easy installation and operation.

Specifically designed for use with external detectors or alarm inputs, the Infra-Red can be used for general CCTV surveillance and the White-Light can be triggered on alarm to act as a deterrent or to provide additional colour picture information.

The unique VARIO beam pattern allows users to precisely match the angle of illumination to the required field of view by simply selecting the required lens insert.

Raytec VARIO lenses use hot-spot reduction technology (HRT) and provide a highly diffused elliptical beam shape to deliver light directly to where it is most needed, allowing greater illumination distances, reducing energy wastage and preventing the overexposure of foreground objects.

An optional VARIO remote control provides the ability to set-up the illuminator quickly, safely and from ground level, with separate set up for both Infra-Red and White-Light including power levels, photocell sensitivity, timer functions etc. The VARIO LED status indicator provides instant operational feedback on status and performance of the illuminator.

A standard VARIO kit includes interchangeable lenses to deliver angles of 10, 35 and 60 degrees out of the box; enough flexibility to cover most applications. Other angles are available on request.

VARIO illuminators are supplied complete with bracket and operate directly from a 12-24V input.

At a Glance

- Infra-Red and White-Light – all in a single unit
- Infra-Red for surveillance & White-Light for deterrent or more detailed colour picture information
- Easy switch-over via volt-free input
- Distances up to 208m(682ft) IR and 134m(440ft) WL
- Interchangeable Lensing
- VARIO holographic lenses with Hot-spot Reduction Technology
- VARIO Remote Control (optional)
- Covert Infra-Red (950nm) available
- LED Status Indicator

Integration with PIR



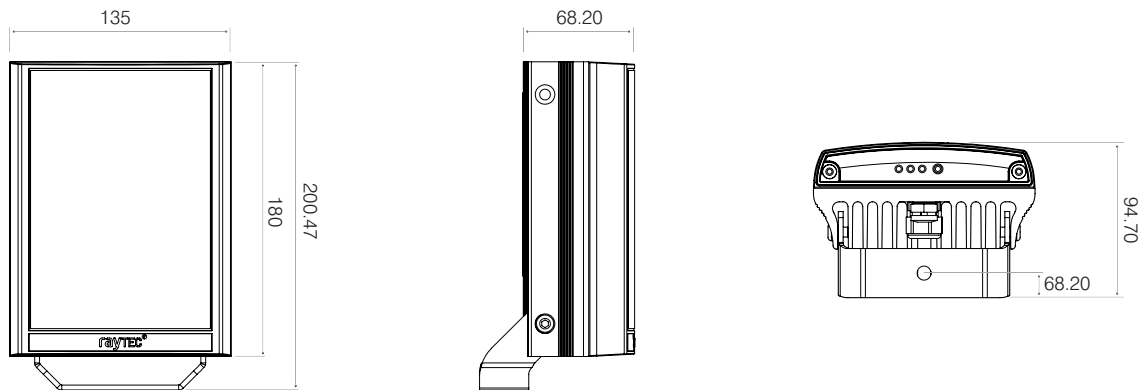
Integration with Laser Detector



Integration with Fibre Optic Fence line



Product Dimensions



Features

Benefits

All-in-one hybrid solution

Infra-Red and White-Light, all from one single, low voltage LED illuminator. IR for surveillance and WL for deterrent or enhanced colour picture information

Volt free IR/WL switch

Easy switch over between IR and WL via volt free input for easy triggering of lighting on demand from external detectors or alarm inputs.

VARIO Interchangeable Lensing

Angle of illumination can be easily, quickly and precisely adjusted by changing the VARIO holographic lens insert, to match the specific camera field of view.

VARIO Remote Control (optional)

Allows set up quickly and safely from ground level and provides access to advanced set up features. Reduces both cost and time of installation.

LED Status Indicator

Quick operational feedback on status and performance of the illuminator. Allows simple and quick commissioning of the installation and easy maintenance reviews

Hot-spot Reduction Technology (HRT)

HRT delivers a highly diffused, elliptical beam shape to help cameras achieve superior images at night and generate longer illumination distances, whilst reducing light and energy wastage and preventing the overexposure of foreground objects.

Green Technology

In-built green features such as power adjust, telemetry control and timer function enhance the potential for energy savings.

5 YEAR WARRANTY

All Raytec luminaires are provided with an industry leading 5 year warranty and have an expected useful life in excess of 10 years



Technical Specifications

Illuminator

Wavelength	IR 850nm	IR940nm	WL
Max Distance	208m (683ft)	Contact Raytec	134m (440ft)
Total Lumens	n/a	n/a	2650 lm
Colour Temperature	n/a	n/a	5700
CRI	n/a	n/a	65-70
Angle	Standard pack includes 10 circular + 35 x 10 (fitted as standard) and 60 x 25 elliptical lenses Additional optional lenses: 80 x 30 and 120 x 50		
LEDs	Platinum Elite SMT LEDs		
Consumption	48W max		
Input Voltage	12-24V AC or DC		
Weight	1.65kg (3.6lbs)		
Environmental	IP66		
Temp Range	-50 to +50°C (-58 to 122°F)		
Cable Length	2.5m		
Cable Specification	RED/BLACK – Power WHITE/YELLOW – Photocell following contact output ORANGE/PURPLE – Telemetry Input		
Colour	Black		
Dimensions	135 x 180 x 68.2mm 5 x 7 x 3.2" approx		
Bracketry	U Bracket Included		

Integrated Command and Control Technology

Integrated Standard Features	<ul style="list-style-type: none"> In-built photocell for automatic on/off operation LED status indicator provides status on performance of the unit Photocell following output
Integrated Advanced Features (accessed via VARIO remote control)	<ul style="list-style-type: none"> Power adjust from 20-100% Photocell sensitivity adjust Timer function (up to 30 mins) Telemetry control LED status indicator on/off Restore factory default settings

Product Codes

Part Codes	Description	Angles	IR Max distance	WL max distance
VAR-hy8-1	VARIO Hybrid 8 Infra-Red 850nm and White-Light	10 x 10°	208m (683ft)	134m (440ft)
		35 x 10°(fitted as standard)	114m (375ft)	72m (236ft)
		60 x 25°	62m (204ft)	40m (131ft)
		80 x 30° (optional)	42m (141ft)	27m (89ft)
		120 x 50° (optional)	28m (92ft)	18m (59ft)
VAR-hy8-1-C	VARIO Hybrid 8 Infra-Red 940nm and White-Light	10 x 10°	Contact Raytec	134m (440ft)
		35 x 10°(fitted as standard)	Contact Raytec	72m (236ft)
		60 x 25°	Contact Raytec	40m (131ft)
		80 x 30° (optional)	Contact Raytec	27m (89ft)
		120 x 50° (optional)	Contact Raytec	18m (59ft)

Available in double panel variants with Raytec's patented Adaptive Illumination™ system.

Adaptive Illumination™ provides more flexibility, more power, and even greater distances and allows quick easy adjustment of the horizontal beam pattern. **Contact Raytec.**