

1080p HD Output 60 FPS Camera

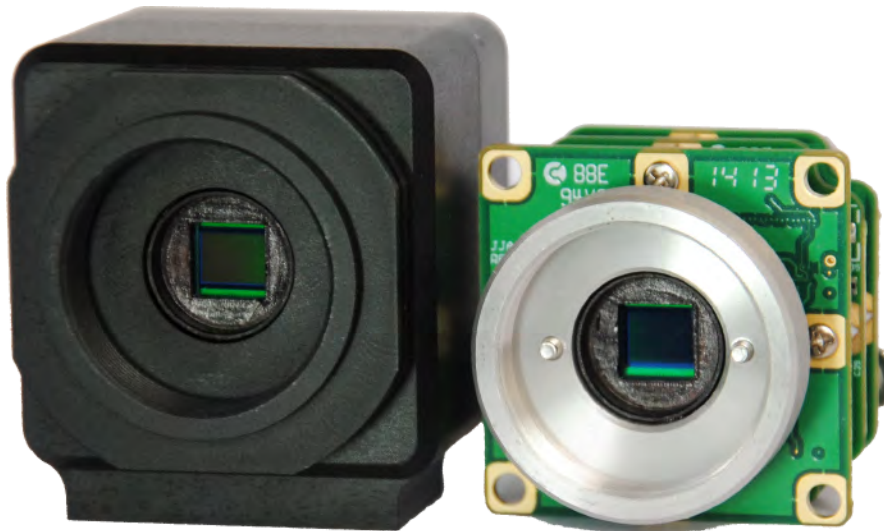
NEW

Sentech HD 1080p Camera

STC-HD223 【Cased】

STC-HD223-B 【Board】

Sentech is ready to present the brand new High Definition 1080p Output Camera. The STC-HD223 features a 2/2.23" CMOS Sensor, and 60 FPS. With an extremely low cost, this camera can easily integrate into any system requiring high quality, high resolutions image.



Features

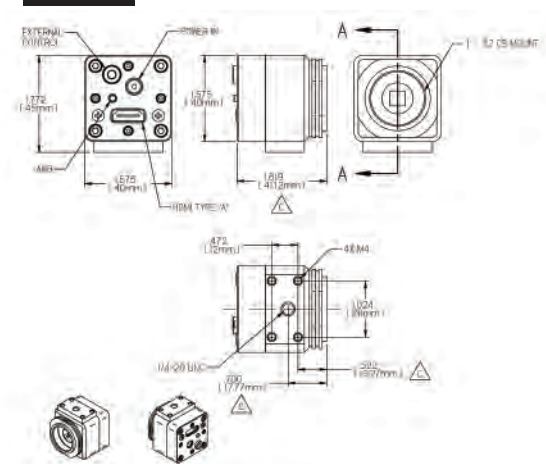
- 1920 (H) x 1080 (V)
- 60 FPS
- Cased or Board Versions
-
- Low Cost
- HD 1080p
-
-

Specifications

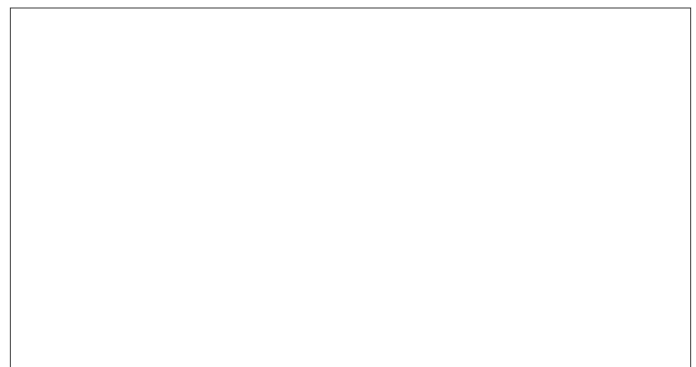
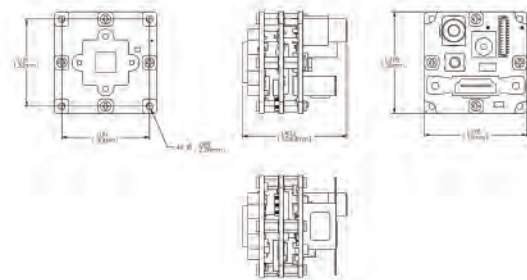
Model Numbers	: STC-HD223 (Cased) STC-HD223-B (Board)
Image Sensor	: 1/2.33" 14 MP CMOS Sensor (4416 (H) x 3312 (V))
Active Picture	: 1920 (H) x 1080 (V) / 1280 (H) x 720 (V)
Elements	
Scanning System	: Progressive
Pixel Size	: 1.4 (H) x 1.4 (V) μm
S/N Ration	: 35 dB
Minimum Scene	: 650 mV / Lux - sec
Illumination	
Sync System	: Internal
Video Output::	: DVI 1.0 Conformity RGB, 1920 (H) x 1080 (V) 60 / 50 / 30 Hz RGB, 1280 (H) x 720 (V) 60 / 50 Hz
Exposure Control:	: Shutter: 14.81 usec ~ 16.67 msec (Configurable via UART)
Gain Control	: 1x ~ 60.24x (Configurable via UART)
White Balance	: Auto / Manual / Push-to-Set White Balance (Configurable via UART)
Auto Band Filter	: Configurable via UART
Auto Black Level	: Configurable via UART
Calibration	
Gamma	: 0.3 to 1.0 (Configurable via UART)
Binning	: 2 x 2 Binning (Configurable via UART)
Mirror Image	: Normal / Horizontal / Vertical / Horizontal & Vertical (Configurable via UART)
Pixel Defect	: Automatic detection and correction
Correction	(Configurable via UART)
UART	: +3.3V UART Communication via 3.5 Stereo Jack
Communication	Speed: 9,600 bps
Power	:
- Input Voltage	: +9 ~ +15Vdc (Typically: 12Vdc)
- Consumption	: TBD
Dimensions	: 40 (W) x 45 (H) x 41.1 (D) mm (Cased) 35 (W) x 35 (H) x Var. (D) mm (Board)
Optical Filter	: IR Cut Filter
Lens Mount	: CS-Mount (Cased & Board Cameras), No Lens Mount (Board Cameras)
Interface Connector :	
- Video Output	: HDMI Connector
- Power Input	: 12V Power Jack
- Communication	: 3.5 Stereo Jack
Weight	: Approx. 88 g (Cased) Approx. 35g (Board)
Temperature	:
- Operational	: 0 to 50° C
- Storage	: -30 to 65° C
Standard	: FCC Compliant
Compliance	
RoHS	: RoHS Compliant

Dimensions

Cased



Board



※Specifications are subject to change without notice.