

VARIO w16



Multi-angle Long Range White-Light

The VARIO w16 series of White-Light illuminators is designed to provide ultra-long range illumination from a single panel illuminator. With maximum distances up to 210m (689ft), VARIO w16 provides Raytec customers with more flexibility to meet the most challenging applications.

Its unique VARIO beam pattern system is the latest development in interchangeable holographic optics and allows users to easily alter the output angle of illumination to precisely match the required field of view and instantly respond to changes on site.

VARIO lenses use hot-spot reduction technology (HRT) to produce images far better than those possible with normal LED illuminators. The HRT system delivers a highly diffused elliptical beam shape to deliver light directly to where it is most needed, allowing greater illumination distances, reducing light and energy wastage and preventing the overexposure of foreground objects.

An optional VARIO remote control provides the ability to set-up the illuminator quickly, safely and from ground level reducing the time and cost of installation and commissioning. In addition VARIO w16 features an LED status indicator which provides instant operational feedback on status and performance of the illuminator to allow for proactive maintenance checks from ground level.

Active LED life control ensures high reliability and consistent optical output and all VARIO illuminators are part of the Raytec Green Touch programme, delivering outstanding performance with minimal environmental impact. VARIO i16 illuminators are vandal resistant, supplied complete with bracket and operate directly from a 24V AC/DC input. A standard VARIO kit includes interchangeable lenses to deliver angles of 10, 35 and 60 degrees out of the box; enough angles to cover most applications. Other angles are available on request.

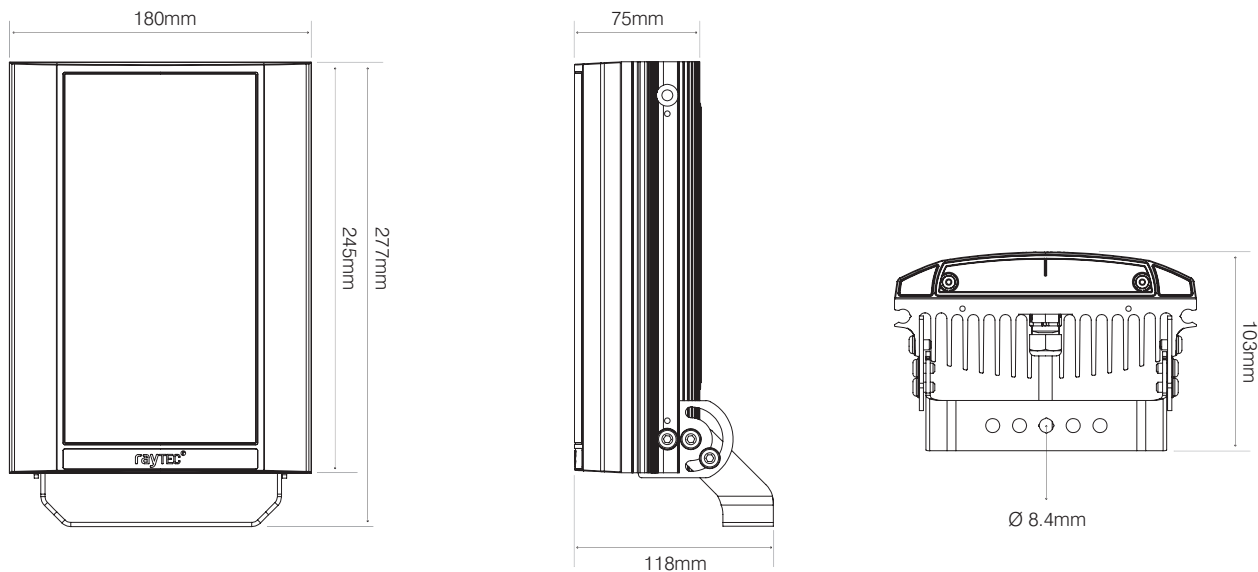
At a Glance

- Distances up to 210m
- HRT Hot-spot Reduction Technology
- PLATINUM Elite SMT LED Technology
- Optional VARIO remote control
- VARIO Interchangeable lens system
- LED Status Indicator
- Angles from 10-120 degrees – from 1 product
- Excellent Colour Rendition

VARIO Interchangeable Lens System



Product Dimensions



Features

Benefits

VARIO Interchangeable lens system

Angle of illumination can be easily, quickly and precisely adjusted by changing the VARIO holographic lens insert, to match the specific camera field of view.

Hot-spot Reduction Technology (HRT)

HRT - hot-spot reduction technology delivers a highly diffused, elliptical beam shape to deliver more light where it is needed, generating both longer distances and minimizing light wastage. The HRT system also prevents overexposure of foreground objects.

VARIO Remote Control (optional)

Allows set up quickly and safely from ground level and provides access to advanced set up features. Reduces both cost and time of installation and commissioning.

LED Status Indicator

Quick operational feedback on status and performance of the illuminator. Allows simple and quick commissioning of the installation and easy maintenance reviews

Green Technology

In-built green features such as power adjust, telemetry control and timer function enhance the potential for energy savings.

Platinum Elite SMT LED Technology

VARIO illuminators use cutting edge PLATINUM Elite SMT LED technology together with Light Intensification Miniature Optics (LIMO™) and an enhanced Cool Running™ thermal management system into a single high performance LED.

The result is World leading power, reliability and flexibility.

5 YEAR WARRANTY

All Raytec luminaires are provided with an industry leading 5 year warranty and have an expected useful life in excess of 10 years



Technical Specifications

Illuminator

Max Distance	210m (689ft)
Angle	Standard pack includes 10° circular + 35° x 10° (fitted as standard) and 60° x 25° elliptical lenses. Additional optional lenses: 80° x 30°, 120° x 50°
Optics	PLATINUM Elite SMT LEDs
Consumption	96W
Input	24V AC/DC
Voltage	13.5V current controlled
Weight	3.1kg (6.8lbs)
Environmental	IP66
Temp Range	-50° to +50°C (-58 to 122°F)
Cable Length	2.5m
Colour	Silver
Wavelength	White-Light
Dimensions	277 x 180 x 118mm (11" x 7" x 4.6" approx)
Bracketry	U Bracket Included

Integrated Command and Control Technology

Integrated Standard Features	<ul style="list-style-type: none"> In-built photocell for automatic on/off operation LED status indicator provides status on performance of the unit Photocell following output
Integrated Advanced Features (accessed via VARIO remote control)	<ul style="list-style-type: none"> Power adjust from 20 - 100% Photocell sensitivity adjust Timer function (up to 30 mins) Telemetry control Remote Dimming LED status indicator on/off Restore factory default settings

Product Codes

Part Codes	Description	Angles	Distances*
VAR-w16-1	VARIO w16 Long Range, White-Light, with 3 angle options included, 24V	10 x 10°	210m (689ft)
		35 x 10° (fitted as standard)	110m (361ft)
		60 x 25°	60m (197ft)
		80 x 30° (optional)	40m (131ft)
		120 x 50° (optional)	30m (98ft)

Optional Parts

VAR-rc	Remote Control for any VARIO Illuminator (only 1 remote needed)
VAR-w16-LENS-8030	Individual w16 VARIO lens – 80°H x 30°V
VAR-w16-LENS-12050	Individual w16 VARIO lens – 120°H x 50°V