

AUTODOME 4000

www.boschsecurity.com



BOSCH
Invented for life



- ▶ True day/night camera with 30x optical zoom
- ▶ 720 TVL resolution
- ▶ Wide Dynamic Range (WDR)
- ▶ Compact, vandal-resistant (IK10 rated) enclosure
- ▶ Suitable for indoor and outdoor use

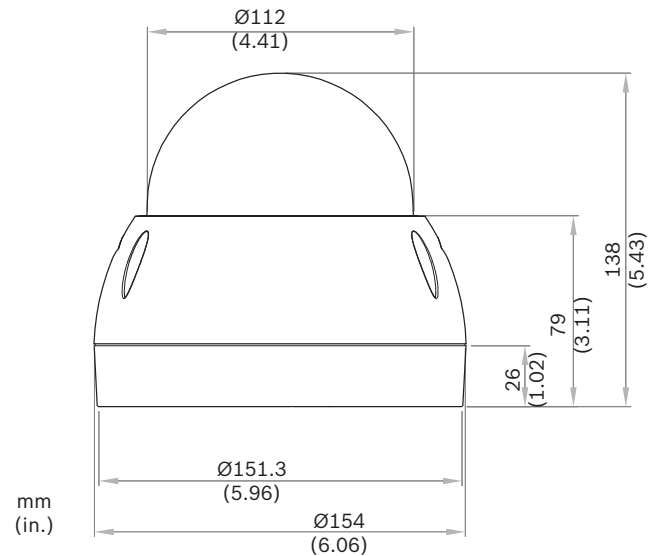
The AUTODOME 4000 Mini PTZ Dome is a rugged, compact, high-resolution, day/night camera that delivers uncompromised functionality and performance at a very affordable price. It features a 30x optical zoom (10x digital zoom), a horizontal resolution of 720 TVL (NTSC and PAL), privacy masking, Wide Dynamic Range (WDR), and a built-in heater.

With a dome diameter of only 4.4 inches (11.2 cm), the AUTODOME 4000 is about 70% smaller than traditional PTZ cameras and 20% smaller than most other compact domes. These compact dimensions make the AUTODOME 4000 ideal for discrete surveillance applications in both indoor and outdoor environments.

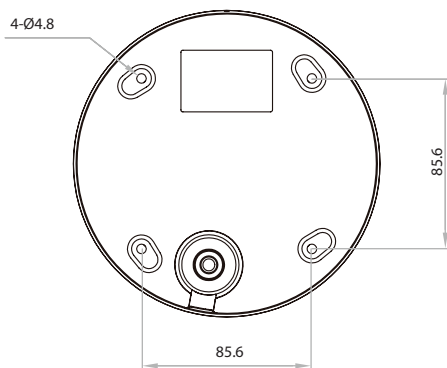
Certifications and approvals

Region	Certification
Europe	CE
USA	UL
	FCC
Australia	CTICK

Installation/configuration notes



Dimensions, Camera Side



Dimensions, Camera Bottom

Parts included

Quantity	Component
1	AUTODOME 4000 Mini PTZ Dome Camera
1	Drilling Template for flush mount
4	6 x 30 mm plastic anchors
4	#8 x 32 screws and attached O-rings
4	M4 x 12 Torx screws and attached O-rings
1	T20 Security Torx wrench
1	Installation Manual

Technical specifications

Camera

Imager	1/4" Double Scan Super HAD CCD II
Lens size	fW=3.49 ±0.17 mm fT=104.02 ±5.20 mm (30x +/- 10% Optical Zoom)
Effective Pixels	PAL: 976 (H) x 582 (V) NTSC: 976 (H) x 494 (V)
Horizontal Resolution	720 TVL (NTSC, PAL)
Optical Zoom	30x Effective Optical Zoom
Digital Zoom	10x
Field of View (approximate)	2.46° (TELE) to 69.5° (Wide)
Focus	Automatic with manual override
Signal-to-Noise Ratio (SNR)	>50 dB
White Balance	Auto, indoor, outdoor, one push
Minimum Illumination	0.2 Lux/ F1.65 0.001 Lux/DSS 0.1 Lux/ICR
Iris Control	Auto

Wide Dynamic Range (WDR)	On/Off
Dynamic Noise Reduction (DNR)	3DNR
Privacy	15 zones maximum

Mechanical

Weight	1.5 kg (3.3 lb)
Pan Range	360° continuous
Tilt Range	0° to 180° (90° when 3D Privacy Masking is enabled)
Flip	Rotate 180° at bottom of tilt
Auto Scan	8 Auto Scan modes including vector scan
Pre-position Speed	360°/s
Preset Positions	99 (Bosch OSRD); 210 (Pelco P/D) positions with camera status
Tours	8 Tours (Preset, Pattern, Scan)
Patterns	8 Patterns
On-Screen Display (OSD)	Camera ID, Title, Mode, and Angle (multi-language)
Multi-language OSD	English, Chinese, Dutch, French, German, Italian, Russian, Spanish

Electrical

Power Supply	24 VAC ± 10%, 50/60 Hz Built-in power line surge
Power Requirements	24 VAC adapter, 1 A (2.5 A with heater)
Power Consumption	24 VAC, 850 mA / 20 W (without heater) 24 VAC, 2A / 45 W (with heater)
Alarm Input	4 normal dry contacts (selectable NC/NO)
Alarm Output	1 normal relay 5 VDC / 40 mA maximum (selectable NC/NO)
Control	RS-485; baud rate: 2400-38.4 Kbps (default = 9600 bps)
Access Time	0.75 second maximum preset recall time
Camera Address (ID)	Physical - 99

Environmental

Ingress Protection Rating	IP66
External Mechanical Impact (IK Code or Impact rating)	IK10

Operating Temperature	-40 °C to +50 °C (-40 °F to +122 °F) Heater works automatically from -40 °C/°F to +10 °C (+50 °F)
Heater thermostat	On/Off at 0 °C to 10 °C (32 °F to 50 °F)
Installation Humidity	80% relative humidity (RH)
Storage Temperature	-20 °C to +60 °C (-4 °F to +140 °F)

Communications

Camera Setup/Control	RS-485; Bosch Biphase with converter (sold separately)
Communications Protocols	Bosch, Pelco P/D; (Bosch Biphase to RS-485 converter (MIC-BP3), sold separately)

Construction

Housing Material	Cast aluminum
Color	White or Charcoal
Size (Diameter x Height)	Ø154 x 138 mm (H) (Ø 6.06 x 5.43 in.)
Bubble	Ø112 mm (Ø 4.41 in.) polycarbonate; clear or tinted

Ordering information

AUTODOME 4000 Mini PTZ Dome 30x PAL camera, white, clear bubble
Order number **VEZ-413-EWCS**

AUTODOME 4000 Mini PTZ Dome 30x PAL camera, charcoal, clear bubble
Order number **VEZ-413-ECCS**

AUTODOME 4000 Mini PTZ Dome 30x PAL camera, white, tinted bubble
Order number **VEZ-413-EWTS**

AUTODOME 4000 Mini PTZ Dome 30x PAL camera, charcoal, tinted bubble
Order number **VEZ-413-ECTS**

AUTODOME 4000 Mini PTZ Dome 30x NTSC camera, white, clear bubble
Order number **VEZ-423-EWCS**

AUTODOME 4000 Mini PTZ Dome 30x NTSC camera, charcoal, clear bubble
Order number **VEZ-423-ECCS**

AUTODOME 4000 Mini PTZ Dome 30x NTSC camera, white, tinted bubble
Order number **VEZ-423-EWTS**

AUTODOME 4000 Mini PTZ Dome 30x NTSC camera, charcoal, tinted bubble
Order number **VEZ-423-ECTS**

Accessories

UPA-2450-50 Power Supply, 220 V, 50 Hz
Indoor, 220 VAC, 50 Hz In; 24 VAC, 50 VA Out
Order number **UPA-2450-50**

UPA-2450-60 Power Supply, 120 V, 60 Hz
Indoor, 120 VAC, 60 Hz In; 24 VAC, 50 VA Out
Order number **UPA-2450-60**

MIC-BP3 Biphase Converter
Biphase converter for IR power supplies or non-IR power supplies without a free expansion slot available
Order number **MIC-BP3**

VIP-X1XF
H.264 dual-stream 1-channel encoder, VCA ready
Order number **VIP-X1XF**

VEZ-A4-IC VEZ-400 IN-CEILING MOUNT
Order number **VEZ-A4-IC**

VGA-IC-SP In-ceiling Support Kit
Suspended ceiling support kit for FLEXIDOME cameras (requires VDA-PLEN-DOME kit).
Order number **VGA-IC-SP**

AUTODOME 4000 Pipe Mount, Charcoal
Order number **VEZ-A4-PC**

AUTODOME 4000 Pipe Mount, White
Order number **VEZ-A4-PW**

AUTODOME 4000 Wall Mount, Charcoal
Order number **VEZ-A4-WC**

AUTODOME 4000 Wall Mount, White
Order number **VEZ-A4-WW**

VDA-CMT-PTZDOME Corner Mount Adapter
Corner mount adapter for use with the appropriate wall mount for indoor or outdoor pole (mast) applications
Order number **VDA-CMT-PTZDOME**

VDA-POMT-PTZDOME Pole Mount Adapter for AUTODOME 4000 / 5000
Pole mount adapter for use with the appropriate wall mount for indoor and outdoor applications.
Order number **VDA-POMT-PTZDOME**

LTC 9213/01 Pole Mount Adapter
Pole mount adapter with stainless steel straps, light gray finish
Order number **LTC 9213/01**

Represented by:

Americas:

Bosch Security Systems, Inc.
130 Perinton Parkway
Fairport, New York, 14450, USA
Phone: +1 800 289 0096
Fax: +1 585 223 9180
security.sales@us.bosch.com
www.boschsecurity.us

Europe, Middle East, Africa:

Bosch Security Systems B.V.
P.O. Box 80002
5617 BA Eindhoven, The Netherlands
Phone: + 31 40 2577 284
Fax: +31 40 2577 330
emea.securitysystems@bosch.com
www.boschsecurity.com

Asia-Pacific:

Robert Bosch (SEA) Pte Ltd, Security
Systems
11 Bishan Street 21
Singapore 573943
Phone: +65 6571 2808
Fax: +65 6571 2699
apr.securitysystems@bosch.com
www.boschsecurity.asia

China:

Bosch (Shanghai) Security Systems Ltd.
203 Building, No. 333 Fuquan Road
North IBP
Changning District, Shanghai
200335 China
Phone +86 21 22181111
Fax: +86 21 22182398
www.boschsecurity.com.cn

America Latina:

Robert Bosch Ltda Security Systems Division
Via Anhanguera, Km 98
CEP 13065-900
Campinas, Sao Paulo, Brazil
Phone: +55 19 2103 2860
Fax: +55 19 2103 2862
latam.boschsecurity@bosch.com
www.boschsecurity.com