

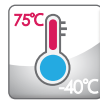
ET5200 Series

Hardened / Industrial IP CCTV Self-Configured 5-port 10/100/1000Base-TX Ethernet Switch



Features

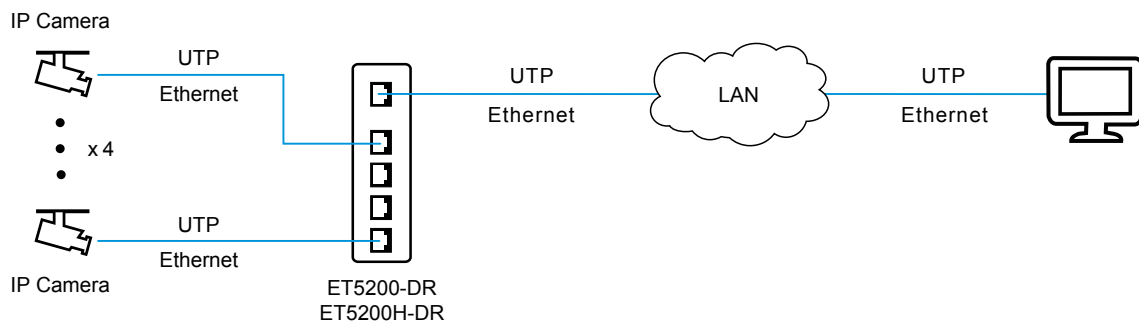
- ▶ 5 10/100/1000Base-TX
- ▶ Automatically support IGMP (Multicasting)
- ▶ 10/100/1000Mbps RJ45 Port Supports Full/Half-duplex, Auto-negotiation, Auto MDI/MDIX
- ▶ Supports 802.3x Flow control
- ▶ Supports Broadcast Storm Control
- ▶ 1M bits frame buffer memory
- ▶ 9K Bytes Jumbo Frame
- ▶ Supports Relay output for Power failure and port failure alarm
- ▶ Redundant Power Inputs
- ▶ Supports Wall-mount and DIN-Rail installation
- ▶ -40°C to 75°C (-40°F to 167°F) operating temperature



Warranty

- ▶ 5-Year Warranty

Typical Application



Specifications

Ethernet

Standards	IEEE802.3 10Base-T IEEE802.3u 100Base-TX IEEE802.3ab 1000Base-TX
Processing Type	Store-and-Forward
Switch Fabric	10 Gbps
Forward Filter Rate	14,880pps (10Mbps) 148,800pps (100Mbps) 1,488,000pps (1000Mbps)
Packet Buffer Memory	1 Mbit
Max. Packet Length	9K Bytes
Address Table Size	2048K MAC Addresses
Connector	5 x RJ45

Electrical and Mechanical

Input Power	12~48VDC, Redundant Power (6-pin Terminal Block)
Power Consumption	Max 5W
LED Indicators	
Power	Power1, Power2 Status
Ethernet (Per Port)	LINK/Activity

Specifications

Dimensions (W x D x H)	31 x 120 x 148 mm
Weight	0.5Kg
Casing	Aluminum Case
Mounting options	DIN-Rail / Wall-mount

Environmental

Operating Temperature	
Hardened	-40°C to 75°C (-40°F to 167°F)
Industrial	-10°C to 60°C (14°F to 140°F)
Storage Temperature	-40°C to 85°C (-40°F to 185°F)
Relative Humidity	5% to 95% non-condensing
MTBF	> 300,000 hrs

Regulatory Approvals

ISO9001
 EN55022:2010+AC: 2011, Class A
 EN 61000-3-2: 2006+A1: 2009+A2: 2009
 EN 61000-3-3: 2013
 EN55024:2010
 IEC 61000-4-2: 2008 (ESD)
 IEC 61000-4-3: 2010 (RS)
 IEC 61000-4-4: 2012 (EFT)
 IEC 61000-4-5: 2014 (Surge)
 IEC 61000-4-6: 2013 (CS)
 IEC 61000-4-8: 2009 (PFMF)

Ordering Information

Available Model	Description
ET5200-DR	Industrial IP CCTV Self-Configured 5-port 10/100/1000Base-TX Ethernet Switch
ET5200H-DR	Hardened IP CCTV Self-Configured 5-port 10/100/1000Base-TX Ethernet Switch

Optional Accessories (to be purchased separately)

Power Supply Please refer to the power supply information at the back of the catalogue, our website www.ot-systems.com, or consult OTS sales at sales@ot-systems.com for your power system design properly.

Package Checklist

■ IP CCTV Self-Configured Network Switch	x 1
■ Wall Mount Plates	x 1
■ DIN Rail Clip	x 1
■ Quick Installation Guide	x 1

