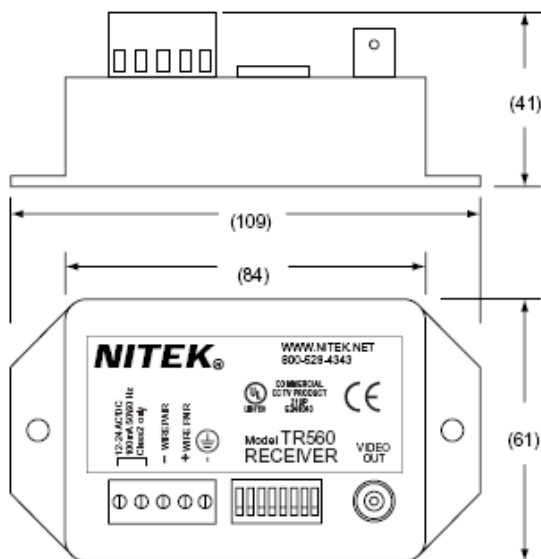


NITEK®

TR515 TR560

TR515 Active Receiver for UTP transmission from 30 to 500 m
TR560 Active Receiver for UTP transmission from 30 to 2200 m
(30 to 1000 m w/passive transmitters / 225 to 2200 m ft w/TT560 transmitter)



Description

Live video transmission for operation over twisted pair or Cat 5 cables.

Both the TR515 and TR560 are designed for operation over Category 2, 3, 4 or 5 twisted pair cable and require the use of a NITEK transmitter unit. The units work equally well over existing communication and computer network spare pairs, or new cable installations. Advanced receiver electronics provide complete immunity from ground loop, hum and noise to produce maximum video quality with virtually no loss. A dip switch on the unit provides precise adjustment of gain and frequency compensation, allowing the system to be "fine-tuned" for any cable. This unique feature provides easy adjustment for optimum performance over the entire operating range and also allows cable length to be estimated with a wide safety margin, when bidding CCTV twisted pair transmission jobs.

The TR515 and TR560 include the receiver and a power supply for the receiver. Complete systems including the receiver, transmitter and power supplies are available. For more information refer to the Ordering Information section of this sheet or call NITEK.

Features

- Active electronics compensate for frequency and level loss
- Built-in protection from power surge, transients, static or other electrical interference
- High resolution color or monochrome video
- Complete immunity to ground loop; video and AC can be run in a common raceway, where allowed
- Video can be run in the same cable with telephone and computer signals
- Weather resistant design
- Easy to install

Applications

Elevators - making traveling coax unnecessary

High Rise Buildings - between floors, through punch-down blocks

Detention Facilities - using existing communication wiring

High Voltage Facilities - high immunity to AC power interference

Parking Garages - where running coax is difficult to impossible

Remote Gates - can be run in same cable with audio and gate control

TECHNICAL SPECIFICATION

Receiver Unit

| | |
|-----------------------|---|
| Size | 4.1cmH x 10.9cmW x 6.1cmD |
| Power Requirements | 12 to 24 VAC or VDC @ 30mA (wall transformer provided with unit) |
| Input | Balanced low voltage current loop |
| Output | 1 Vpp composite video Monochrome or Color |
| Common Mode Rejection | >70dB |
| Video Format | RS170, NTSC, PAL, SECAM, CCIR (Color or B/W) |
| Operating Frequency | DC to 10 MHz |

| |
|---|
| Recommended Transmission Distances MODEL TR515 (passive transmitter) up to 500 m MODEL TR560 (passive transmitter) up to 1000 m (active transmitter) up to 2200 m |
|---|

| | |
|-------------------------|---|
| Wire Size | 26 to 12 AWG Unshielded Twisted Pair |
| UTP Category | Unshielded Category 2 or better |
| Temperature Range | -40 degrees C to +85 degrees C |
| Humidity Range | 0 to 98%, non-condensing |
| Enclosure Material | Black ABS Flame Retardant Plastic |
| Twisted Pair Connection | Screw Terminals |

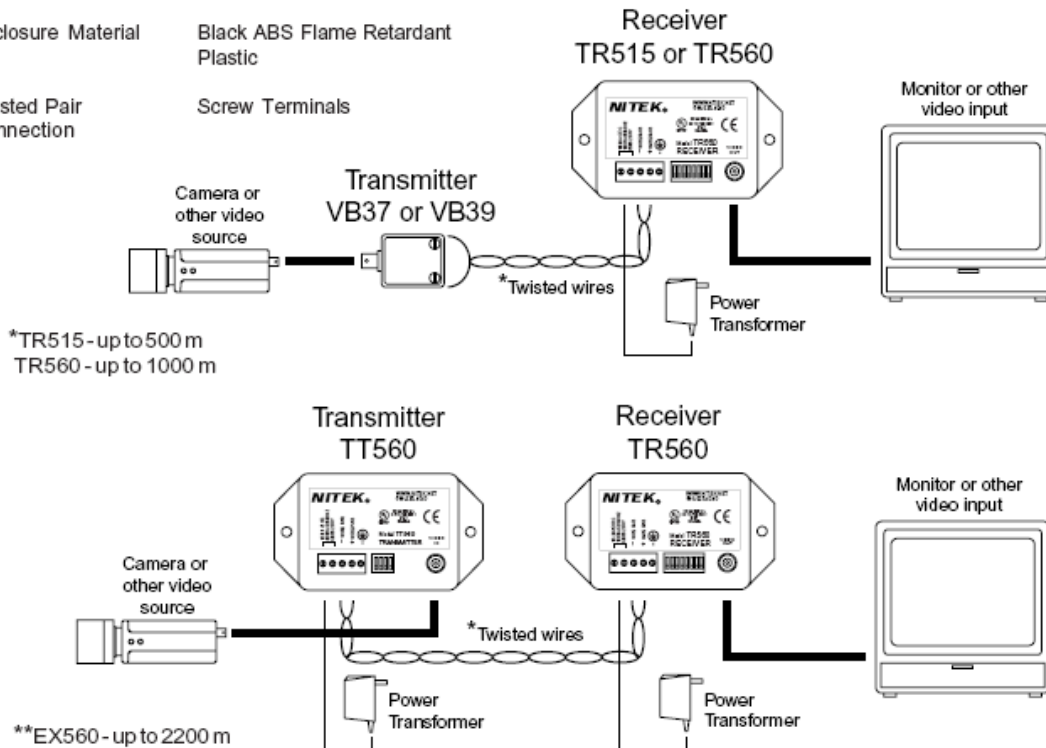
| Ordering Information | | |
|----------------------|-------------|-------------------------------|
| PART | RANGE IN M | SYSTEM INCLUDES |
| TR515 | 30 to 500 | Receiver & Power Pac |
| TS515 | 30 to 500 | VB37F, TR515 & Power Pac |
| TR560 | 30 to 2200 | Receiver & Power Pac |
| TS560 | 30 to 1000 | VB37F, TR560 & Power Pac |
| TT560 | 225 to 2200 | Transmitter & Power Pac |
| EX560 | 225 to 2200 | TT560, TR560 & (2) Power Pack |

SYSTEM COMPONENTS

For more information on individual components listed above refer to respective specification sheets.

Wire and Cable Recommendations

Twisted Sender is recommended for use with unshielded twisted pair (UTP) wiring. The systems will operate over wire gauges from 26 AWG through 12 AWG but are optimized for 24 AWG. Category 2, 3, 4 or 5 cabl may be used. Individually shielded pairs should be avoided, as they drastically reduce the operating range of the systems. Multi-pair cable with an overall shield is acceptable. Video can be operated in the same communication cable coexistent with telephone, computer, control signals, power voltages and other video signals. While video may be routed through telephone punch down block terminals, any bridge-taps, also called T-taps and any resistive, capacitive or inductive devices MUST BE removed from the pair. For more specific information regarding wire types, gauges and proper installation techniques, please call +31 (0)320 - 230005 for technical assistance. More information is also available on the CCTV System Design Guide Sheet.



Videor E. Hartig GmbH
 Carl-Zeiss-Straße 8 · 63322 Rödermark, Germany
 Tel. +49 (0) 60 74 / 888-0 · Fax +49 (0) 60 74 / 888-100

www.videor.com

Technical changes reserved.

04/2007