



**For Security
Zoom**

MP⁺
MEGA
PIXELS

D8x7.8HA-V42

Applicable camera (model)

1 2/3 1/2 1/3 1/4

8x



*Photograph is a similar model.

- Standard zoom lens with excellent cost performance.
- High image-quality monitoring with optical performance supporting 1.3 megapixels.
- Wide aperture of F1.2, providing optimal performance under low light intensity.
- Compact and lightweight design, allowing easy storage into small housings.
- Built-in ND filter of T400, providing support for high sensitivity cameras.
- Multi power compatibility (6V, ±6V, 12V, ±12V), for use with existing control systems.
- Auto iris is remotely operable, allowing light intensity to be fine adjusted according to the monitoring target.

ZOOM
Zoom

WIDE
Wide Angle

MOTOR DRIVE
Motor Drive

1.3 Mega
For Megapixel Camera

VIDEO
Video Auto Iris

IRIS-REMOTE
Iris Remote

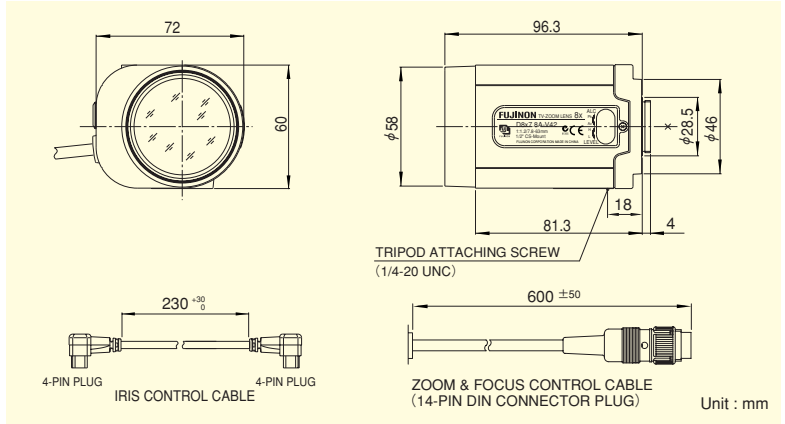
CS-mt
CS Mount

METAL
Metal Mount

PRESET
Potentiometer

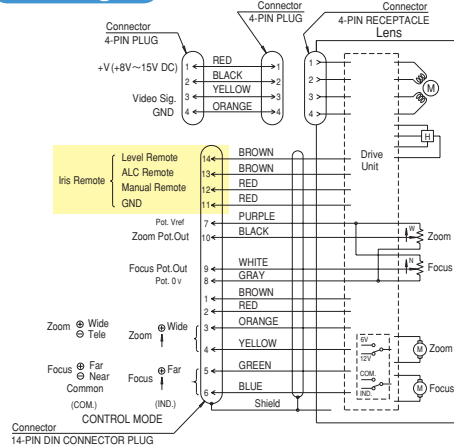
ND
ND Filter

F1.2
Wide Aperture Rate



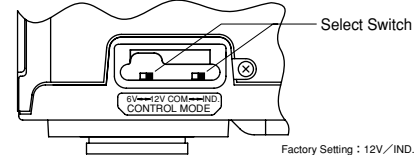
Focal Length (mm)		7.8~63 (8x)	
Iris Range		F1.2 ~ T400 (Equivalent to F400)	
Operation	Zoom	Motor Drive	
	Focus	Motor Drive	
	Iris	Auto (Video Type) or Remote (*1)	
Angle Of View (HxV)	1/2"	WIDE	44°37' X 34°12'
		TELE	5°49' X 4°22'
	1/3"	WIDE	34°12' X 25°59'
		TELE	4°22' X 3°16'
	1/4"	WIDE	25°59' X 19°38'
		TELE	3°16' X 2°27'
Focusing Range (From Front Of The Lens) (m)		∞ ~ 1.2	
Object Dimensions at M.O.D. (HxV) (mm)	1/2"	WIDE	944 X 708
		TELE	117 X 88
	1/3"	WIDE	708 X 531
		TELE	88 X 66
	1/4"	WIDE	531 X 398
		TELE	66 X 49
Back Focal Distance (in air) (mm)		14.00	
Exit Pupil Position (From Image Plane) (mm)		-55	
Filter Thread (mm)		M55 X 0.75	
Mount		CS	
Mass (g)		400	
Standard Accessories		Iris Control Cable Connection Connector (14-pin)	
Remarks		<ul style="list-style-type: none"> • With Metal Mount (*1) When power is turned off, iris will automatically close. 	

Wiring



Control Mode

(Top View)



Controller output	Select switch position
6V	6V / IND.
±6V	6V / COM.
12V	12V / IND.
±12V	12V / COM.

Accessories

■ Close-up Lens

Product Name		CL3355 (M55x0.75mm fc=333mm)	CL10055 (M55x0.75mm fc=1000mm)
Imaging Area (mm)		333~261	1000~545
Object Dimensions (mm)	1/2"	WIDE	205x153
		TELE	25x19
	1/3"	WIDE	153x115
		TELE	19x14
	1/4"	WIDE	115x86
		TELE	14x11