



Part of GE Security

## Network Transmission Products Power over Ethernet Injector

### Overview

GE Security's MS-PoE is a Power over Ethernet Injector that inserts 802.3af PoE into Cat.5 cable, allowing the cable between the injector and splitter to transfer data and power simultaneously. With the MS-PoE installed, the system administrator only has to use a single RJ-45 Ethernet cable to carry both power and data to each device. The MS-PoE also reduces costs and facilitates networking planning while delivering higher reliability.

### Standard Features

- Complies with IEEE 802.3af Power over Ethernet, IEEE 802.3/802.3u 10/100Base-TX
- Provides DC 48V power over RJ-45 Ethernet cable to device with Ethernet port
- LED indicators for power input
- Distance up to 100 meters
- Auto-detect of PoE IEEE 802.3af equipment protects devices from being damaged by incorrect installation
- Works with EIA568, category 5, 4-pair cables for 10Base-T or 100Base-TX
- EMI standards comply with FCC, CE class B
- Convenient plug-and-play installation saves time and reduces installation costs

# MS-PoE IEEE 802.3af Power over Ethernet Injector



MS-POE





## Part of GE Security

North America  
 T 888-GE-SECURITY  
 888-437-3287  
 F 503-691-7566  
 E sales@ifs.com

Asia  
 T 852-2907-8108  
 F 852-2142-5063

Australia and New Zealand  
 T 613-9239-1200  
 F 613-9239-1299

Europe  
 T 44-113-238-1668  
 F 44-113-253-8121

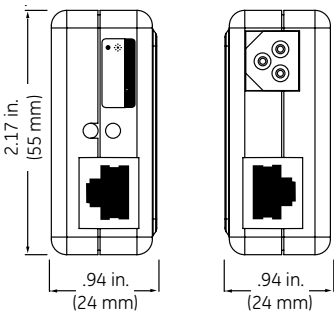
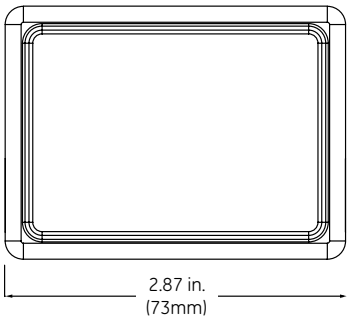
Latin America  
 T 305-593-4301  
 F 305-593-4300

gesecurity.com/ifs

Specifications subject to  
 change without notice.

© 2010 General Electric Company  
 All Rights Reserved

## Dimensional Diagram



## Specifications

Interface	
Ethernet Copper Port	1 x 10/100Base-TX for data in RJ-45 connector
Ethernet + DC Copper Port	1 x 10/100Base-TX with IEEE 802.3af PoE PSE for data + DC out RJ-45 connector
Power over Ethernet	
PoE Standard	IEEE 802.3af Power over Ethernet / PSE
PoE Power Supply Type	Mid-Span / Type B
Power PIN Assignment	4/5(+), 7/8(-)
PoE Power Output	PoE 48V DC, Max. 15.4 watts, 350mA
Number of devices can be powered	1

Hardware Specification	
Ethernet Data Rate	10/100Mbps (varies on Ethernet device attached)
Throughput (packet per second)	148810@64Bytes
Input Power	48V DC, 0.38A max.
LED Indicator	1 x Power 1 x PoE ready / in-use
Installation	Stand-alone or wall-mount
Material	Plastic
Dimensions (H x W x D)	2.87 x 2.17 x 0.94 in. 73 x 55 x 24mm
Weight	0.22 lbs. / 50g
Reliability	MTBF > 50,000 hrs. @ 25°C

Standards Conformance	
Standards Compliance	IEEE 802.3 Ethernet IEEE 802.3u Fast Ethernet IEEE 802.3af Power over Ethernet
Ethernet cable	TIA/EIA-568, Category 5/5e cable

Environmental	
Operating	Temperature: 0°C~50°C Relative Humidity: 5%~90% (non-condensing)
Storage	Temperature: -20°C~70°C Relative Humidity: 5%~90% (non-condensing)

Electrical	
Power Requirement	48V DC, 0.38A

## Ordering Information

MS-PoE	IEEE 802.3af Power Over Ethernet Injector (mid-span)
--------	--



imagination at work