

SCO-2080

1/3" High Resolution Varifocal Lens Camera

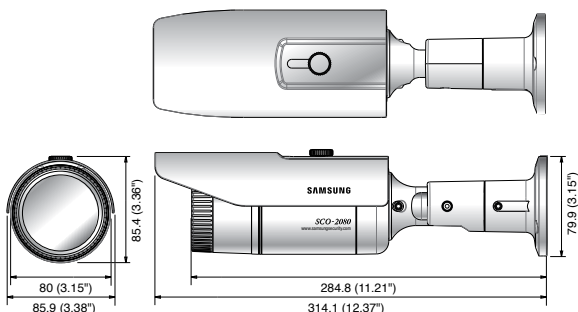


Features

- 1/3" Super HAD color CCD
- Based on W-V, the latest generation of Winner DSP engine
- Built-in 3.6x (2.8 ~ 10mm) varifocal lens with auto iris
- SSNR III, Upgraded 2D/3D noise reduction technology
- Quick & easy to install, Stylish design
- Day & Night with ICR (Infrared Cutfilter Removal)
- High resolution of 600TV lines
- Min. illumination of 0.15Lux@F1.2 (Color)
0.001Lux@F1.2 (B/W)
0.0003Lux@F1.2 (Color sens-up)
- Privacy masking with 12 user programmable zones
- Protection against water & dust (IP66), Sunshield
- SDDR (Samsung Super Dynamic Range)
- HLC (Highlight Compensation)
- DIS (Digital Image Stabilization)
- Motion detection
- Coaxial & RS-485 control
- 512x sens-up support
- Multi-language OSD
- S/N ratio of 52dB
- Dual voltage : 12V DC / 24V AC

Dimensions

Unit : mm (inch)



Technical Specifications

	SCO-2080N	SCO-2080P
ELECTRICAL		
Input Voltage	Dual (12V DC / 24V AC)	
Power Consumption	Max. 2.7W / 3.8W	
VIDEO		
Imaging Device	1/3" Super HAD CCD	
Total Pixels	811(H) x 508(V)	795(H) x 596(V)
Effective Pixels	768(H) x 494(V)	752(H) x 582(V)
Scanning System	2 : 1 Interlace	
Synchronization	Internal / Line lock	
Frequency	H : 15.734KHz / V : 59.94Hz	H : 15.625KHz / V : 50Hz
Horizontal Resolution	Color : 600TV lines / B/W : 700TV lines	
Min. illumination	Color : 0.15Lux (50 IRE@F1.2), 0.0003Lux (Sens-up, 512x) B/W : 0.001Lux (50 IRE@F1.2)	
S / N (Y signal)	52dB	
Video Output	CVBS : 1.0Vp-p / 75Ω composite	
LENS		
Zoom Ratio	3.6x (Manual)	
Focal Length	2.8 ~ 10mm (F1.2)	
Max. Aperture Ratio	1 : 1.2(Wide) ~ 2.8(Tele)	
Min. Object Distance	0.2m (0.66ft)	
Angular Field of View	H : 94.4°(Wide) ~ 28°(Tele) / V : 69.2°(Wide) ~ 21°(Tele)	
Focus	Manual	
Iris Control	Auto / Manual	
OPERATIONAL		
On Screen Display	English, Japanese, Spanish, French, Portuguese, Taiwanese, Korean	English, French, German, Spanish, Italian, Chinese, Russian, Polish, Czech, Romanian, Serbian, Swedish, Danish, Turkish, Portuguese
Camera Title	Off / On (Displayed 15 characters)	
Day & Night	Auto (ICR) / Color / B/W	
SDDR	On / Off (Level adjustable)	
Backlight Compensation	BLC / HLC / Off	
Motion Detection	On / Off (8 programmable zones)	
Digital Zoom	On / Off (1x ~ 16x)	
Digital Image Stabilization	On / Off	
Privacy Masking	On / Off (12 programmable zones)	
2D+3D Noise Filter (SSNR III)	On / Off	
Sens-up (Frame Integration)	On / Off (Selectable 2x ~ 512x)	
Gain Control	Low / High / Off	
White Balance	ATW / Outdoor / Indoor / Manual / AWC (1,700°K ~ 11,000°K)	
Electronic Shutter Speed	Fixed (1/60 / Flickerless)	Fixed (1/50 / Flickerless)
Sharpness	On / Off (Level adjustable)	
Flip / Mirror	On / Off	
Communication	RS-485, Coaxial control	
ENVIRONMENTAL		
Operating Temperature / Humidity	-10°C ~ +50°C (+14°F ~ +122°F) / 20% ~ 90% RH	
MECHANICAL		
Dimension (WxHxD)	85.9 x 85.4 x 314.1mm (3.38" x 3.36" x 12.37")	
Weight	1Kg (2.2 lb)	
Ingress Protection	IP66	
Certifications	FCC (Class A)	CE (Class A)