

A1

SAMSUNG

SCZ-3430/2430

1/4" 43x High Resolution WDR Zoom Camera

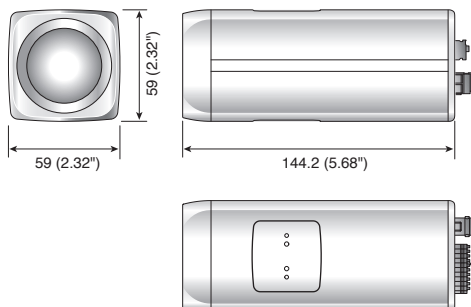


Features

- 1/4" Ex-view HAD PS color CCD : SCZ-3430
1/4" Super HAD color CCD : SCZ-2430
- Powerful 43x optical zoom (3.2 ~ 138.5mm) and 16x digital zoom
- Motion adaptive digital noise reduction (3D+2D)
- Powerful dynamic range of 128x (NTSC), 160x (PAL) : SCZ-3430
- True Day & Night (ICR) • VPS (Virtual Progressive Scan)
- High resolution of 600TV lines (Color), 700TV lines (B/W)
- Min. illumination of 2Lux@F1.65 (Color)
0.2Lux@F1.65 (B/W)
0.004Lux@F1.65 (Color sens-up)
- Privacy masking with 12 programmable zones (Polygonal mosaic)
- Backlight Compensation (Area setting)
- Advanced motion detection function
- High shutter speed control by external trigger
- Coaxial & RS-485 control
- 512x sens-up support
- Multi-Language OSD
- Intelligent video (Moved / Fixed)
- S/N ratio of 52dB
- Dual voltage : 12V DC / 24V AC

Dimensions

Unit : mm (inch)



CAMERA

Technical Specifications

	SCZ-3430N/2430N	SCZ-3430P/2430P
ELECTRICAL		
Input Voltage	Dual (12V DC / 24V AC)	
Power Consumption	Max. 5.6W	
VIDEO		
Imaging Device	1/4" Ex-view HAD PS CCD : SCZ-3430 / 1/4" Super HAD CCD : SCZ-2430	
Total Pixels	811(H) x 508(V)	795(H) x 596(V)
Effective Pixels	768(H) x 494(V)	752(H) x 582(V)
Scanning System	2 : 1 Interlace / Progressive	
Synchronization	Internal / Line lock	
Frequency	H : 15.734KHz / V : 59.94Hz	H : 15.625KHz / V : 50Hz
Horizontal Resolution	Color : 600TV lines (Min.) / B/W : 700TV lines (Min.)	
Min. Illumination	Color : 2Lux (50IRE@F1.65), 0.004Lux (Sens-up, 512x) B/W : 0.2Lux (50IRE@F1.65)	
S / N (Y signal)	52dB (AGC off, Weight on)	
Video Output	CVBS : 1.0 Vp-p / 75Ω composite	
LENS		
Zoom Ratio	43x (Optical), 16x (Digital)	
Focal Length	3.2 ~ 138.5mm (F1.65 ~ 3.7)	
Max. Aperture Ratio	1 : 1.65(Wide) ~ 3.7(Tele)	
Min. Object Distance	100cm (3.28ft)	
Angular Field of View	H : 61.22°(Wide) ~ 1.47°(Tele) / V : 47.16°(Wide) ~ 1.1°(Tele)	
Focus	Auto / Manual / One AF	
Lens Drive Type	DC Auto Iris	
Lens Mount	Board-in type	
OPERATIONAL		
On Screen Display	English, Japanese, Spanish, French, Portuguese, Taiwanese, Korean	English, French, German, Spanish, Italian, Chinese, Russian, Polish, Czech, Danish, Turkish
Camera Title	On / Off (Max. 54ea / 2 lines)	
Day & Night	Auto (ICR) / Color / B/W / EXT	
Motion Detection	Sensitivity 1 ~ 7 level	
Wide Dynamic Range	128x : SCZ-3430	160x : SCZ-3430
Digital Noise Reduction	On / Off	
Backlight Compensation	BLC (On / Off), ELC (On / Off)	
eXtended Dynamic Range	Low / Mid / High / Off	
Digital Image Stabilization	On / Off	
Privacy Masking	On / Off (12 polygonal programmable zones)	
2D+3D Noise Filter (A1)	Off / Very low / Low / Mid / High / Very high / User / Fix	
Sens-up (Frame Integration)	On / Off (Selectable limit ~ 512x)	
White Balance	ATW1 / ATW2 / AWC (Manual) / 3200°K / 5600°K	
Electronic Shutter Speed	1/100 ~ 1/10Ksec	
Digital Zoom	On / Off (2x ~ 16x)	
AGC	On / Off (Very Low / Low / Mid / High / Very High / User / Fix)	
PIP	On / Off	
Schedule	Day / Time schedule	
Communication	RS-485, Coaxial control	
ENVIRONMENTAL		
Operating Temperature / Humidity	-10°C ~ +50°C (+14°F ~ +122°F) / Less than 90%	
MECHANICAL		
Dimension (WxHxD)	59 x 59 x 144.2mm (2.32" x 2.32" x 5.68")	
Weight	508g (1.12 lb)	
LED Indicator	Built-in	
Certifications	FCC (Class A), UL/CUL listed	CE (Class A)