

EMW990F

1080p Full HD True Day / Night
Mobile IR Mini Wedge Camera

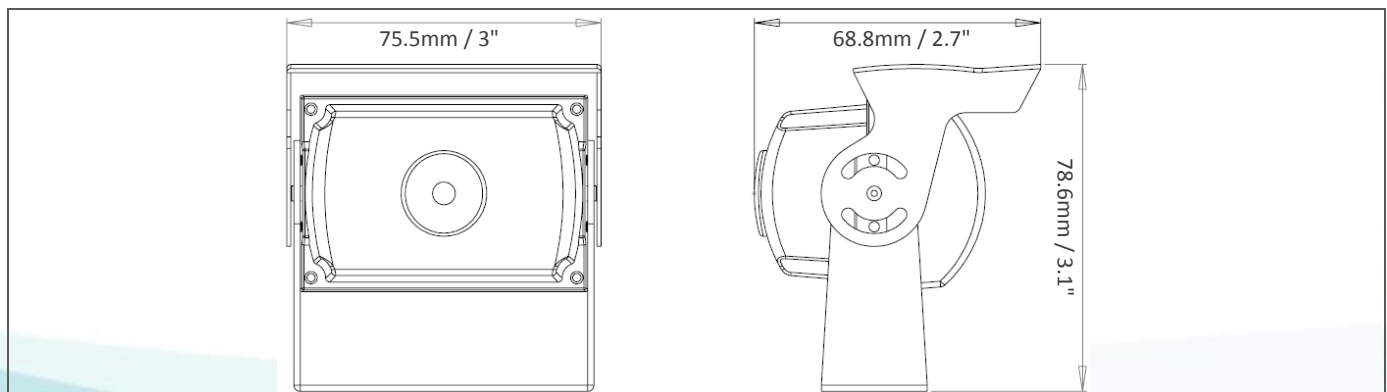
eZ.HD



Features

- 1080p Full HD with high flexibility and performance for astounding image
- Sony 1080p CMOS sensor, delivering amazing high sensitivity
- Astounding image quality from the 2.8mm lens
- Extended IR range up to 10m / 33ft. with 4 LEDs (depends on scene IR reflectivity)
- True-WDR to improve the visibility under high contrast scene
- 3D-Noise Reduction ensures less blurry moving subjects, vivid and high SN ratio images even under low light environments
- eZ Controller function: Control camera OSD settings directly from DVR end

Dimensions



Specifications

Model No.	EMW990F		
Pickup Device	Sony 1080p CMOS sensor	S/N Ratio	>50dB (AGC off)
Video Format	NTSC / PAL	OSD Languages	English / Simplified Chinese / Traditional Chinese / German / French / Italian / Spanish / Polish / Russian / Portuguese / Netherlands / Turkish / Korean / Japanese / Hebrew / Arabic
Effective Pixels	1920 (H) x 1080 (V)	DNR	2DNR / 3DNR, Off
Scanning System	Progressive Scan	Defog	Off / Auto
Sensitivity	0 Lux with IR On	T-WDR	On / Off / Auto (120dB)
Electronic Shutter	Auto / Manual (x30 ~ 1/50,000)	Sens-up	Off / Auto (x2 ~ x30)
Gamma Correction	0.45 ~ 100	Mirror	Off / Mirror / V-Flip / Rotate
Lens Type	2.8mm fixed lens	Motion Detection	Off / On for 4 selectable zones
FOV	H=120°, V=80°, D=140°	Privacy Mask	Off / On for 4 selectable zones
BLC	OFF / BLC / HSBLIC / WDR Selectable	Environmental	IP66 Weather Resistant
AGC	0 ~ 15 Levels	Power Source	12VDC
White Balance	ATW / AWC-SET / Indoor / Outdoor / Manual / AWB	Power Consumption	2.9W max.
Sync. Mode	Internal	Operating	-20°C ~ 50°C / -4°F ~ 122°F
Day / Night	Ext, Auto, Color, B/W	Humidity	Less than 80%
UTC Function	Supported	Dimensions (W x D x H)	75.5 x 68.8 x 78.6mm / 3" x 2.7" x 3.1"
IR LEDs	4 Units	Weight	280g / 0.62lb (with bracket) 200g / 0.44lb (without bracket)
IR Distance	Up to 10m / 33ft. (Depending on scene IR reflectivity)	Certificates	CE, FCC, RoHS

Find Out More At:

EverFocus Taiwan HQ:
TEL: +886 2 2662 2338
www.everfocus.com.tw
marketing@everfocus.com.tw

EverFocus USA - California:
TEL: +1 626 844 8888
www.everfocus.com
sales@everfocus.com

International Branch Offices:
China, Japan

