

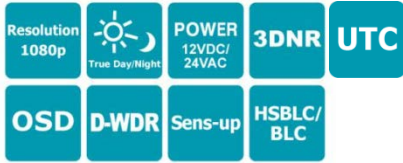
## EQ900F

1080p Full HD True Day / Night  
Box Camera



\*Lens sold separately

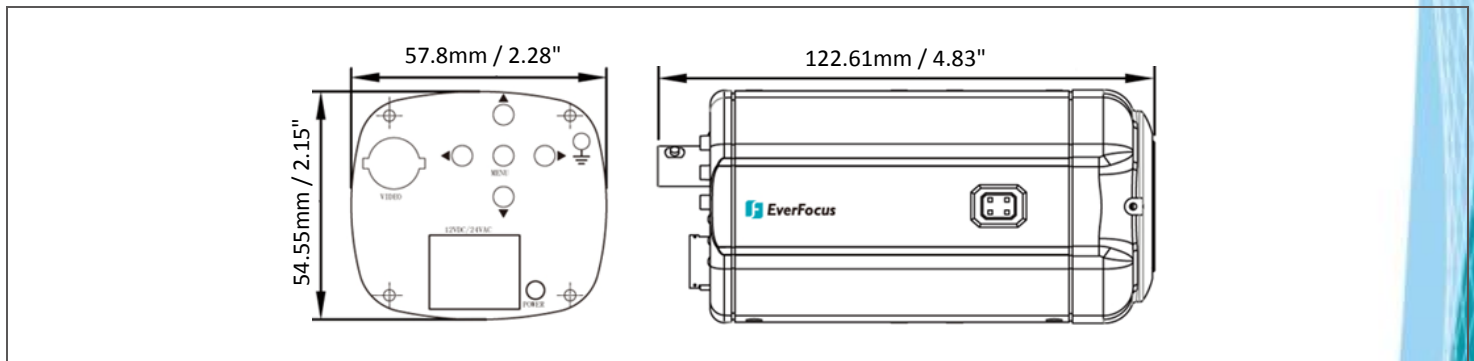
### eZ.HD



## Features

- 1080p Full HD with high flexibility and performance for astounding image
- 1/2.9" Sony 2.24MP CMOS sensor, delivering amazing high sensitivity
- D-WDR to improve the visibility under high contrast scene
- 3D-Noise Reduction ensures less blurry moving subjects, vivid and high SN ratio images even under low light environments
- Supports 1080p, 720p & 960H analog signal output, which can be easily switched using OSD Joystick
- eZ Controller function: Control camera OSD settings and PTZ operation directly from DVR end

## Dimensions



# Specifications

Model No.	EQ900F		
Pickup Device	1/2.9" Sony 2.24MP CMOS	OSD Languages	English / Simplified Chinese / Chinese / German / French / Italian / Spanish / Polish / Russian / Portuguese Netherlands / Turkish
Video Format	NTSC / PAL (Can be switched via OSD)	DNR	2DNR / 3DNR, Off
Effective Pixels	1920 (H) x 1080 (V)	Defog	Off / Auto
Scanning System	Progressive Scan	D-WDR	On / Off / Auto
Sensitivity	0.003 Lux (Sens-up x30)	Sens-up	Off / Auto (x2 ~ x30)
S/N Ratio	Over 48dB (AGC Off)	Mirror	Off / Mirror / V-Flip / Rotate
Electronic Shutter	Auto / Manual (x30 ~ 1/50,000) / FLK	Motion Detection	Off / On for 4 selectable zones
Video Output	BNC 1.0Vp-p 75Ω	Privacy Mask	Off / On for 4 selectable zones
Gamma Correction	0.45	Power Source	12VDC / 24VAC ~
BLC	OFF / BLC / HS BLC Selectable	Power Consumption	12VDC: 2W max. / 24VAC~: 1.8W max.
AGC	0 ~ 15 Levels	Operating Temperature	-10°C ~ 50°C / -14°F ~ 122°F
White Balance	ATW / AWC-SET / Indoor / Outdoor / Manual / AWB	Humidity	Less than 80%
Sync. Mode	Internal	Dimensions (D x W x H)	122.61 x 57.8 x 54.55mm / 4.83" x 2.28" x 2.15"
Day / Night	Ext, Auto, Color, B/W	Weight	240g / 0.53lb
UTC Function	Supported	Certifications	CE, FCC, RoHS

## Find Out More At:

**EverFocus Taiwan HQ:**  
 TEL: +886 2 2662 2338  
[www.everfocus.com.tw](http://www.everfocus.com.tw)  
[marketing@everfocus.com.tw](mailto:marketing@everfocus.com.tw)

**EverFocus USA - California:**  
 TEL: +1 626 844 8888  
[www.everfocus.com](http://www.everfocus.com)  
[sales@everfocus.com](mailto:sales@everfocus.com)

**International Branch Offices:**  
 China, Japan

