

High Definition telephoto lenses – new HA42x9.7BERD and HA42x13.5BERD



The HA42x9.7 and HA42x13.5 lenses are the perfect choice for any application requiring long focal length, low weight and high portability.

The weight of these lenses ranges from about 5.3 to 5.4 kg. Nonetheless, they offer the highest magnification and focal length available in the ENG market. Even without extender the focal length of the HA42x9.7 reaches 410 mm. To double to 820 mm simply engage the extender. With the HA42x13.5 the available focal length is increased to 570 mm, and with extender 1,140 mm.

With a length of 338.5 mm, the new HA42x9.7 is 10 mm shorter than its predecessor, the HA36x10.5 lens.

Unprecedented ramping characteristics, the new exclusive GO-Technology, Internal Focusing and, of course, the DIGI POWER features like ZoomLimiter, QuickZoom, One-Shot-Preset and Auto-Cruising Zoom, round off the performance of the HA42 lenses.

The HA42x lenses are available in four different models – for every application you have the choice:

- HA42x9.7BERD-U48 with built-in OS-TECH
- HA42x9.7BERD-G48 with built-in OS-TECH and remote extender change unit
- HA42x13.5BERD-U48 with built-in OS-TECH
- HA42x13.5BERD-G48 with built-in OS-TECH and remote extender change unit

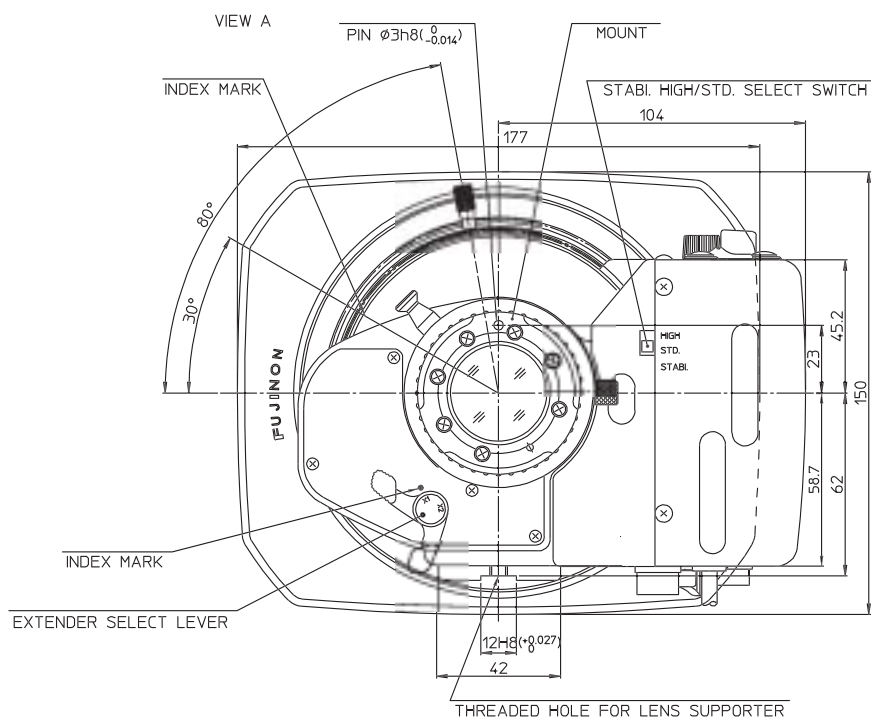
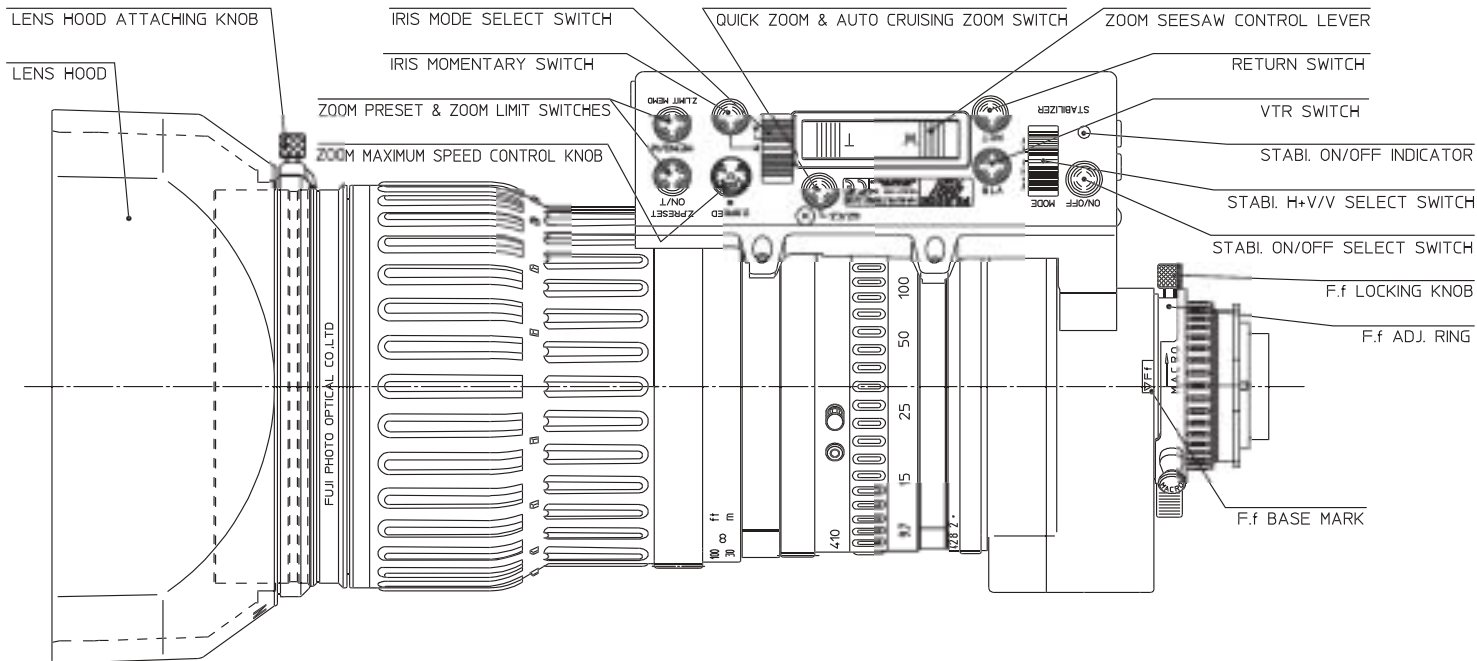
Fujinon. To see more is to know more.

Specifications/Lens		HA42x9.7BE	HA42x13.5BE
Zoom ratio		42x	42x
Extender		2x	2x
Focal length w/o extender		9.7 – 410 mm	13.5 – 570 mm
Focal length w/ extender		19.4 – 820 mm	27 – 1,140 mm
Maximum relative aperture		F2 (9.7 – 225 mm) F3.7 (410 mm)	F2.8 (13.5 – 307 mm) F5.2 (570 mm)
Angular field of view	4:3 Aspect ratio (8.8 x 6.6 mm)	9.7 mm: 52° 37' x 31° 03' 410 mm: 1° 20' x 0° 45'	13.5 mm: 39° 07' x 22° 35' 570 mm: 0° 58' x 0° 33'
	16:9 Aspect ratio (9.59 x 5.39 mm)	19.4 mm: 27° 46' x 15° 49' 820 mm: 0° 40' x 0° 23'	27 mm: 20° 08' x 11° 24' 1,140 mm: 0° 29' x 0° 16'
Minimum Object Distance M.O.D.		2.8 m	2.8 m
Object dimensions at M.O.D.	4:3 Aspect ratio (8.8 x 6.6 mm)	9.7 mm: 2,619 x 1,472 mm 410 mm: 64 x 36 mm	13.5 mm: 1,888 x 1,061 mm 570 mm: 45 x 25 mm
	16:9 Aspect ratio (9.59 x 5.39 mm)	19.4 mm: 1,339 x 753 mm 820 mm: 33 x 19 mm	27 mm: 944 x 530 mm 1,140 mm: 22 x 13 mm
Length		130 x 338.5 mm	130 x 358.5 mm
Macro		Standard	Standard
Filter thread		M127 x 0.75	M127 x 0.75
Weight (without lens hood)		5.3 kg	5.4 kg
Operating system		RD	RD

Specifications are subject to change without notice.



Fujinon Broadcast HD ENG series



ACCESSORIES FOR HA42x

Filters	
EFL-127 UV	UV
EFL-127 SL	Skylight
EFL-127 N2	Neutral density 2
EFL-127 N4	Neutral density 4
EFL-127 N8	Neutral density 8
EFL-127 CS	Cross screen
EFL-127 SN	Snow cross
EFL-127 SU	Sunny cross
EFL-127 SF	Soft focus
EFL-127 PL	Polarizing