

FUJIFILM
expect INNOVATION™

EXCEED *Series*

2/3 Inch Digital Servo Telephoto



QuickZoom
Innerfocus

XA20sx8.5BRM

Technology That Inspires...

FUJINON

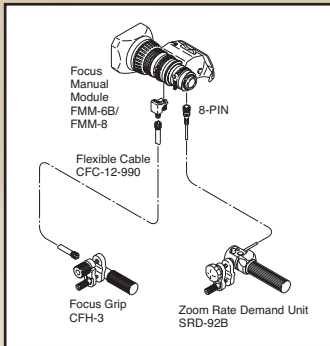
XA20sx 8.5BRM



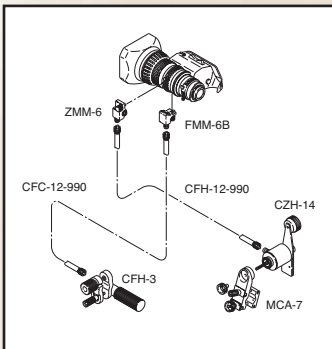
| LENS | XA20sx8.5 BRM |
|---|--|
| Zoom Ratio / Format | 20X / 2/3" |
| Focal Length | 8.5 ~ 170 mm |
| Maximum Relative Aperture | 1:1.8 (8.5-113 mm) |
| Aperture | 1:2.7 (170 mm) |
| M.O.D. from Front of Lens | 0.9 m |
| Object Dimensions at M.O.D. | 4.7mm 910 x 511 mm 170 mm 47 x 26 mm |
| Angular Field of View (Hor. x Vert. in °) | 8.5 mm 58° 51' x 35° 11' 170 mm 3° 14' x 1° 49' |
| Filter Size | ø82mm P=0.75 |
| Inner Focus | Yes |
| Macro | Yes |
| Size (HxWxL) | ø85 x 180.8 mm |
| Weight | 1.48 kg |
| Features | QuickZoom, Innerfocus, Digital Servo |

ACCESSORIES: HD & SD ENG/EFP PROFESSIONAL REAR CONTROL KITS

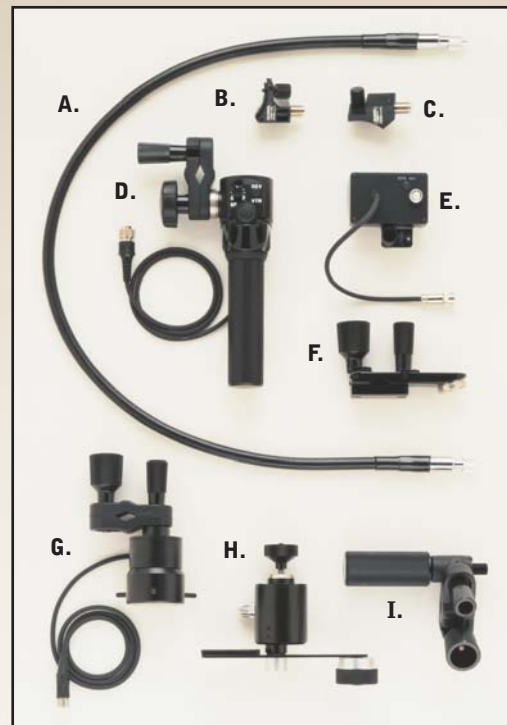
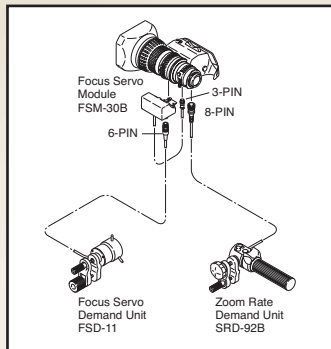
MS-01 Manual Focus/Servo Zoom



MM-01 Manual Focus/Manual Zoom Not available on S16x7.3



SS-01 Servo Focus/Servo Zoom Not available on S16x7.3



- A. CFC-990 Flex Cable
- B. FMM-6B/FMM-8* Focus Manual Module
- C. ZMM-6 Zoom Manual Module
- D. SRD-92B Zoom Demand
- E. FSM-30B Focus Servo Module
- F. MCA-7 Mounting Clamp
- G. FSD-11 Focus Demand
- H. CZH-14 Zoom Handle
- I. CFH-3 Focus Handle

*Specify camera type.

*FMM-8 for use with S16x7.3

For Sales Contact Information go to
www.Fujinon.com