

UNI-BBB1

Security Housing Connection Box

SONY
make.believe

Wall/Pole Mount Connection Box

Compatible with:

Sony outdoor HD bullet cameras with IR: SNC-CH160/180/260/280.

Sony HD indoor fixed mini dome cameras: SNC-DH120/140/220/240.

Sony HD vandal resistant cameras: SNC-DH120T/140T/220T/240T.

Sony HD hybrid mini dome cameras: SNC-ZM550/551.

Sony SD compatible mini dome cameras: SNC-EM521 and SNC-DS10.



KEY FEATURES

- Mounts to poles 3 - 6 inches in diameter, with included pole mount and (2) two straps.
- Conduit holes are suitable for a 3/4 inch conduit fitting that are provided on the back and bottom of the adapter.
- Knockouts allow mating to a double gang electrical box.
- Threaded bolt inserts make installation quick and easy.
- Durable powdercoat finish.
- All aluminum construction.
- 25 lb. load rating.

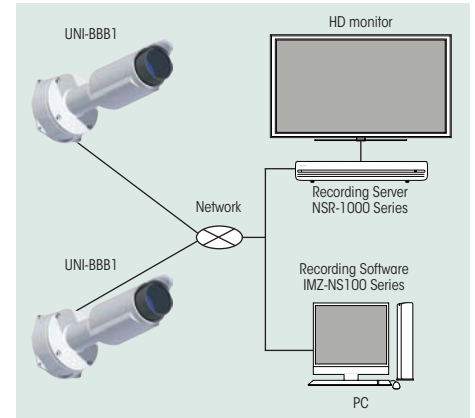
BID SPECIFICATIONS

- The UNI-BBB1 is a cast aluminum adaptor that serves as an electrical connection box that is designed to be used with the Sony camera models identified above. The connection box can be mounted to a pole with the included steel pole straps or to a flat wall. The UNI-BBB1 also features knockouts that allow mounting to a standard double gang electrical box. The 3/4" (27mm) conduit openings are provided in the back and bottom to facilitate wiring connections.

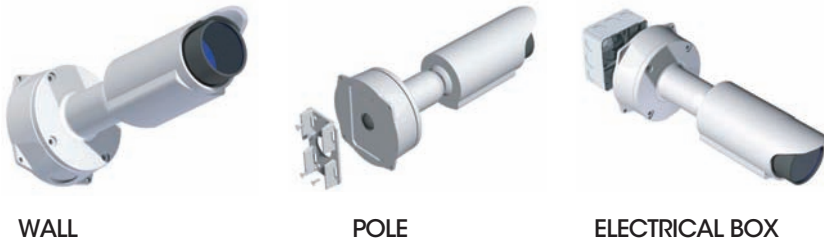
SPECIFICATIONS

UNI-BBB1	
Product	
Body Construction	Aluminum
Environment	Indoor/Outdoor
Mounting Style	Pole/Wall Mount Adapter with electrical connection box
RoHS	Yes
Shipping	
Weight	3 lbs. (1.4 kg)
Dimensions	6.5 x 6.5 x 4 inches (165 x 165 x 100mm)
Compatible Models	
Outdoor	
HD Outdoor Fixed/IR	SNC-CH160/180/260/280
Indoor	
HD Mini Dome	SNC-DH120/140/220/240
HD Vandal Mini Dome	SNC-DH120T/140T/220T/240T
SD Mini Dome	SNC-EM521, SNC-DS10

SYSTEM CONFIGURATIONS

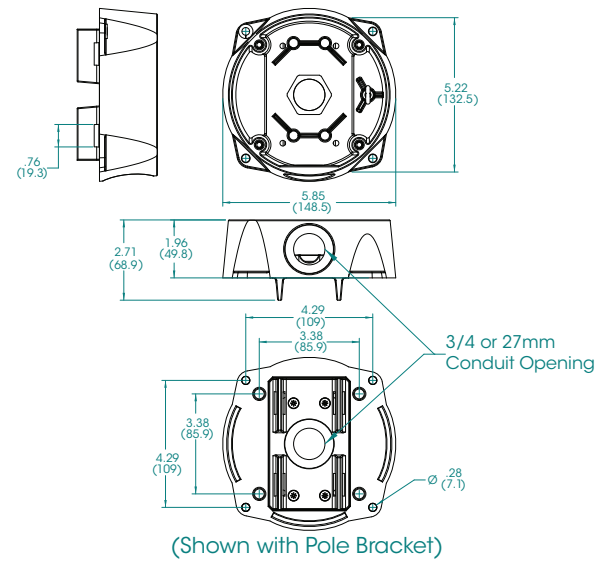


APPLICATION IMAGES



DIMENSIONS

Unit: inches



© 2011 Sony Electronics Inc. All rights reserved.
 Reproduction in whole or in part without written permission is prohibited.
 Features and specifications are subject to change without notice.
 Weights and measurements are approximate.
 Sony, the Sony make.believe and their respective logos are trademarks of Sony.

Sony Electronics Inc.
 1 Sony Drive
 Park Ridge, NJ 07656
sony.com/security