

Zoom

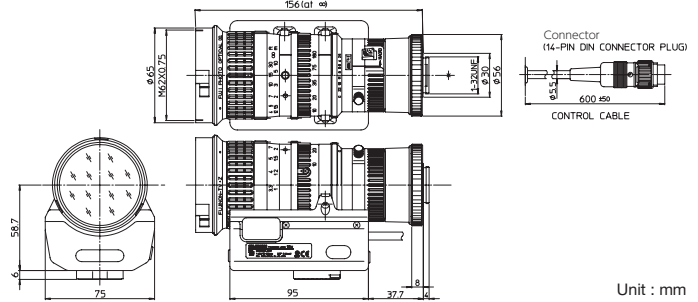
H16x10A-X41

16 x



*Manufacture on demand

Applicable camera (model) 1 2/3 1/2 1/3 1/4



Unit : mm

Zoom Motor Drive Wide Angle Telephoto Long Focal Remote Iris C-mount Metal Mount Potentiometer Meter RoHS Compliant
ZOOM MOTOR DRIVE WIDE TELE REMOTE C-mt METAL PRESET RoHS

Applicable to 2/3

H16x10A-X41

Focal Length (mm)	10 - 160(16x)	Focusing Range (From Front Of The Lens) (m)	$\infty - 1$
Iris Range	F2.5 - F22 (close)	ObjectDimensions at M.O.D.(H×V) (mm)	WIDE 862 × 620 TELE 54 × 40
Operation	Zoom	Motor Drive	
	Focus	Motor Drive	
Angle Of View (H×V)	2/3"	Back Focal Distance (in air) (mm)	14.77
	WIDE	Exit Pupil Position (From Image Plane) (mm)	186.00
Wiring Diagram	TELE	Filter Thread (mm)	M62 × 0.75
		Mass (kg)	0.9

P26

Zoom Lens Wiring

D60x16.7SR4DE-V21 P14

D60x16.7SR4DE-ZP1A P14
 D60x16.7SR4FE-ZP1C P14

