



ZA HD

**Make it real. With true HD.
The Fujinon ZA series.**

Inspiring images...remarkable value!

Once more Fujinon's leading technology sets new quality standards by introducing impeccably designed entry level HD lenses into the cost-effective high-definition lens and camera segment. Multiple options were analysed to reduce HD lens cost without compromising optical quality. The solution was 'GO-Techology': Fujinon worked closely with all major camera manufacturers to engineer true HD lenses that are designed specifically

to enhance the performance of cost-effective high-definition cameras. Fujinon's new ZA-Select series provide high MTF values, advanced colour transmission, minimised chromatic aberration, superb ramping characteristics and true high-definition image resolution. Hi-tech glass materials with high refractive indices and ultralow dispersion are used to achieve the objective. The miracle does not end there: the new ZA-Select series incorporate 2x extender and the same

digital handgrip as the premier HA-Series with Fujinon's renowned DIGI POWER functions. Fujinon is committed to technological advancement, setting the highest standards in product quality without losing sight of environmental responsibilities.

The ZA12x4.5 and ZA17x7.6 lenses are also available without extender.

Fujinon. To see more is to know more.

ZA12x4.5BERM/BERD



Specifications/Lens		ZA12x4.5BERM/BERD
Zoom ratio / Format		12x / 2/3"
Focal length		(1x) 4.5–54 mm (2x) 9–108 mm
Maximum relative aperture		F1.8 (4.5–41 mm) / F2.4 (59 mm)
Angular field of view	16:9 Aspect ratio (9.59 x 5.39 mm)	(1x) 4.5 mm: 93°38' x 61°50' (2x) 9 mm: 56°06' x 33°20' (1x) 54 mm: 10°09' x 5°43' (2x) 108 mm: 5°5' x 2°52'
M.O.D. (Minimum Object Distance) from front of lens		0.3 m
Object dimensions at M.O.D.	16:9 Aspect ratio (9.59 x 5.39 mm)	(1x) 4.5 mm: 757 x 425 mm (2x) 9 mm: 373 x 210 mm (1x) 54 mm: 59 x 33 mm (2x) 108 mm: 31 x 17 mm
Filter size		ø 127 mm P=0.75 (in hood)
Dia ø x Length (w/o hood)		ø 95 x 237.5 mm
Weight (w/o hood)		1.93 kg (RM) / 2.0 kg (RD)*
Options		16-bit encoder
Features		GO-Technology, Inner Focus, Quickzoom, Zoom limit

ZA17x7.6BERM/BERD



Specifications/Lens		ZA17x7.6BERM/BERD
Zoom ratio / Format		17x / 2/3"
Focal length		(1x) 7.6–130 mm (2x) 15.2–260 mm
Maximum relative aperture		F1.8 (7.6–102 mm) / F2.3 (130 mm)
Angular field of view	16:9 Aspect ratio (9.59 x 5.39 mm)	(1x) 7.6 mm: 64°30' x 39°03' (2x) 15.2 mm: 35°01' x 20°07' (1x) 130 mm: 4°13' x 2°23' (2x) 260 mm: 2°07' x 1°11'
M.O.D. (Minimum Object Distance) from front of lens		0.6 m
Object dimensions at M.O.D.	16:9 Aspect ratio (9.59 x 5.39 mm)	(1x) 7.6 mm: 696 x 392 mm (2x) 15.2 mm: 384 x 196 mm (1x) 130 mm: 43 x 24 mm (2x) 260 mm: 21 x 12 mm
Filter size		ø 82 mm P=0.75 (on barrel)
Dia ø x Length (w/o hood)		ø 85 x 203 mm
Weight (w/o hood)		1.53 kg (RM) / 1.6 kg (RD)*
Options		16-bit encoder
Features		GO-Technology, Inner Focus, Quickzoom, Zoom limit

ZA22x7.6BERM/BERD

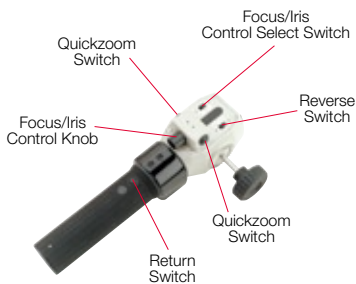


Specifications/Lens		ZA22x7.6BERM/BERD
Zoom ratio / Format		22x / 2/3"
Focal length		(1x) 7.6–167 mm (2x) 15.2–334 mm
Maximum relative aperture		F1.8 (7.6–120 mm) / F2.5 (167 mm)
Angular field of view	16:9 Aspect ratio (9.59 x 5.39 mm)	(1x) 7.6 mm: 64°30' x 39°03' (2x) 15.2 mm: 35°01' x 20°07' (1x) 167 mm: 3°08' x 1°46' (2x) 334 mm: 1°34' x 0°53'
M.O.D. (Minimum Object Distance) from front of lens		0.8 m
Object dimensions at M.O.D.	16:9 Aspect ratio (9.59 x 5.39 mm)	(1x) 7.6 mm: 909 x 511 mm (2x) 15.2 mm: 455 x 256 mm (1x) 167 mm: 43 x 24 mm (2x) 334 mm: 22 x 12 mm
Filter size		ø 95 mm P=1 (on barrel) / ø 107 mm P=1 (in hood)
Dia ø x Length (w/o hood)		ø 100 x 222.6 mm
Weight (w/o hood)		1.75 kg (RM) / 1.82 kg (RD)*
Options		16-bit encoder
Features		GO-Technology, Inner Focus, Quickzoom, Zoom limit

* RD contains servos for zoom and focus

Discover the power of DIGI POWER

Digi zoom demand ERD-10A-D01



DIGI POWER

In order to enhance the newest optical design technology, Fujinon has developed the digital servo control system DIGI POWER offering advanced performance of its zoom lenses. In addition to improved specification and performance, the utilisation of digital circuitry in our DIGI POWER product line has made many new features available that were virtually impossible in the past. DIGI POWER lenses provide for vastly improved accuracy and repeatability over previous designs, and enable custom control parameters to be memorised for individual camera operators' preferences. Optionally a 16-bit processor for zoom, focus and iris is available. Fujinon. To see more is to know more.

QuickZoom

Quickzoom

Quickzoom speed is 0.6 sec./0.7 sec.* from end to end. Quickzoom provides a rapid zoom movement to the telephoto position to check focus by the simple push of a button. Releasing the button returns the lens to the previously selected zoom position. Furthermore, by setting the switch, Quickzoom can be performed remotely from zoom rate demand units.

*0.6 sec. : Studio and Field lens
0.7 sec. : ENG/EFP lens



Frame your shot.



Press Q-Z button.



Lens automatically zooms in. Check focus and release Q-Z button.



Lens zooms back to original frame in full focus.

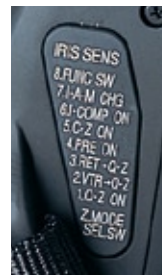
One shot preset

Zoom and focus can be preset and memorised in advance at a selected position. One touch of the switch during shooting will instantly return to the memorised position for time-saving production.



Zoom mode select

A zoom mode switch provides the option to change the zoom response from 'normal' to more sensitive on the wide or telephoto side. With the 3-zoom mode (10-zoom mode on ENG/EFP) the user can select the most suitable fine touch. These zooming mode settings are ideal when switching between productions such as drama and sports.



Zoom limit

The zoom limit function can be used in the servo operation mode. By using this function, the zoom movement toward both the wide side and the telephoto side can be confined; therefore, zooming can be done within the desired shot angles. This enables cameramen to operate the zoom switch without any hesitations or worries about shooting unnecessary areas.



Standard on: DIGI POWER Studio and Field lens,
DIGI POWER ENG / EFP lens

Auto-cruising zoom

Pressing the C-Z button while zooming will fix the zoom speed at the existing rate. Pressing the seesaw switch a second time slightly will return the zoom speed to normal.

Standard on: DIGI POWER Studio and Field lens,
DIGI POWER ENG / EFP lens

Zoom maximum speed adjustment

The maximum zooming speed obtained when pressing the seesaw switch to the end can be adjusted.



16-bit accuracy for remote control

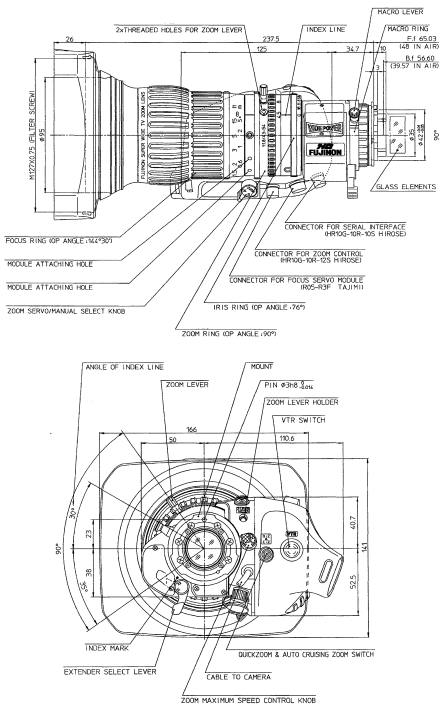
Remote control of zoom, focus and iris for all DIGI POWER lenses is possible via 13-bit serial digital connection. Optional 16-bit processing is available for more accurate positioning in virtual studios and other applications.



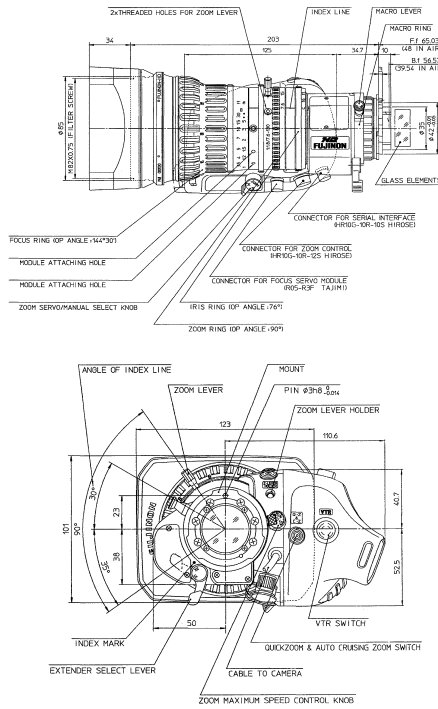
Accessory compatibility

Analog control accessories can be used with the DIGI POWER lens. (Some functions may be limited.)

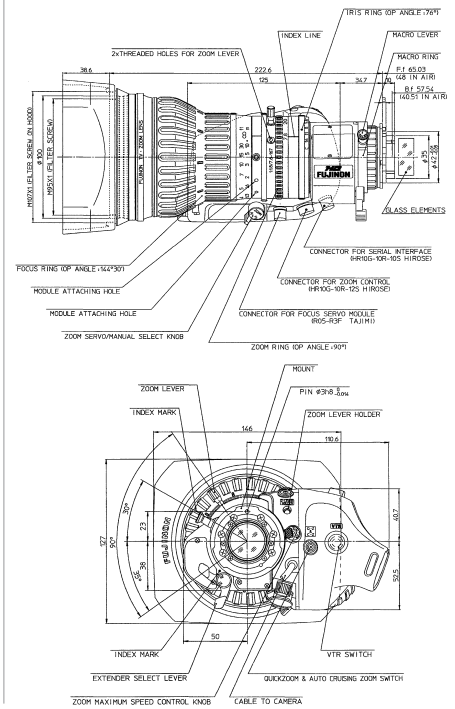
ZA12x4.5BERM/BERD



ZA17x7.6BERM/BERD



ZA22x7.6BERM/BERD



HD/ENG lens converters

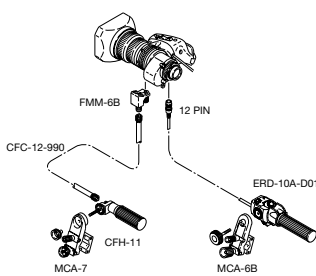


Model	Type	ø Size	Converter*	Mag.	Converted Focal Length (mm)	M.O.D. in m	Weight in kg
ZA12x4.5	Wide	95 mm	WAT-W95	0.83x	4.5→3.7	0.20	0.42
ZA17x7.6	Tele	85 mm	TCV-H85	1.5x	130.0→195.0	1.35	1.10
	Wide	85 mm	WCV-H85	0.8x	7.6→6.1	0.38	1.05
	Wide	85 mm	WAT-H85	0.7x	7.6→5.3	0.29	0.36
	Fish-Eye	85 mm	F-ATH85	0.57x	7.6→4.3	0.19	0.36
ZA22x7.6	Tele	100 mm	TCV-H100	1.5x	167.0→250.0	1.80	1.00
	Wide	100 mm	WCV-H100	0.8x	7.6→6.1	0.51	1.05
	Wide	100 mm	WAT-H100	0.7x	7.6→5.3	0.39	0.53
	Fish-Eye	100 mm	F-ATH100	0.57x	7.6→4.3	0.26	0.63

DIGI POWER rear control kits

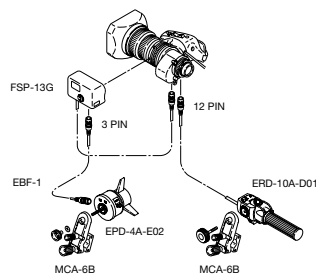
MS-11D Manual Focus/Servo Zoom

For use with RM type lenses



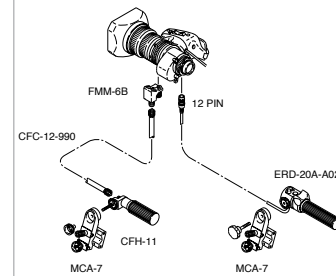
SS-11D Servo Focus/Servo Zoom

For use with RM type lenses



Standard rear control kits

MS-11 Manual Focus/Servo Zoom



SS-11 Servo Focus/Servo Zoom

