

SNC-VB635

Network Fixed Full HD Camera – V Series

SONY

Box-type 1080p/60 fps Camera with Half-inch Exmor™ CMOS Sensor Powered by IPELA ENGINE EX™

- Maximum resolution of 1920 x 1080 pixels with the half-inch Exmor CMOS sensor
- Minimum illumination of 0.04 lx in Color mode and 0.03 lx in B/W mode at 50 IRE and 30 frames per second (fps)
- High frame rate of 60 fps
- Dynamic range equivalent to 90 dB achieved with View-DR technology
- RS-485 interface for transparent control of camera peripherals
- Operating temperature up to 60°C (140°F)



The camera does not include a lens.

KEY FEATURES

- IPELA ENGINE EX signal processing system developed based on Sony's unique signal processing and video analytics technologies to provide unique features such as a high frame rate, View-DR, XDNR, and DEPA™ Advanced technologies



- High frame rate of 60 fps to provide smoother and less blurry moving pictures
- View-DR – Sony's innovative wide dynamic range technology – to capture objects clearly and adaptively even under very harsh, severe backlight or highlight conditions



OFF



ON

Actual Images

- Visibility Enhancer (VE) to optimize the brightness and color reproduction of an image dynamically on a pixel-by-pixel basis while continuously adapting to the scene within the given dynamic range
- DEPA Advanced Intelligent Video Analytics to trigger an alarm based on user-defined rules
- Picture mode selectable from a range of camera scenes in the setting menu to optimize picture quality in various applications



- XDNR (eXcellent Dynamic Noise Reduction) technology for clear images with virtually no motion blur under low illumination



OFF



ON

Actual Images

- True D/N (Day/Night) function to switch to Day or Night mode depending on the light level
- VBR (variable bitrate) or CBR (constant bitrate) compression mode selectable to correspond with various network conditions
- Edge Storage function to record video and audio data with an SD/SDHC card attached to the camera
- Image Stabilizer to help minimize the effect of camera shake or vibration to achieve less blurry images
- RS-485 interface to transparently control camera peripherals such as powered zoom lenses and camera pedestals with pan and tilt functionalities; the camera converts control commands sent over the network to serial data and transfers this to devices via an RS-485 interface for easy and convenient operations
- Easy focus function for easy installation
- Easy initial network settings by supplied SNC Easy IP Setup Guide application
- Powered by either IEEE 802.3af-compliant (PoE system), AC 24 V $\pm 20\%$, or DC 12 V $\pm 10\%$ for easy installation
- Smartphone viewer to display an image of the camera on the smartphone's screen and control the camera's pan, tilt, and zoom functions by simple touch-panel manipulation
- ONVIF (Open Network Video Interface Forum) Profile S-conformance firmware that ensures greater interoperability and more flexibility in building multi-vendor systems



Connect Your Vision

IPELA™

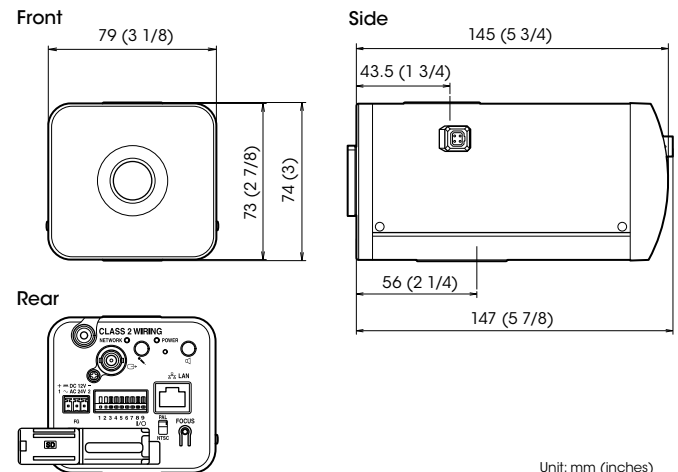
SPECIFICATIONS

| SNC-VB635 | |
|------------------------------------|--|
| Camera | |
| Image Sensor | 1/1.9-type progressive scan Exmor CMOS sensor |
| Number of Effective Pixels | Approx. 2.38 Megapixels |
| Signal System | NTSC/PAL (switchable) |
| Sync System | Internal synchronization |
| Minimum Illumination (50 IRE) | Color: 0.04 lx (F1.2, View-DR OFF, VE OFF, AGC ON, 1/30 s, 30 fps) B/W: 0.03 lx (F1.2, View-DR OFF, VE OFF, AGC ON, 1/30 s, 30 fps) |
| Minimum Illumination (30 IRE) | Color: 0.02 lx (F1.2, View-DR OFF, VE OFF, AGC ON, 1/30 s, 30 fps) B/W: 0.01 lx (F1.2, View-DR OFF, VE OFF, AGC ON, 1/30 s, 30 fps) |
| Dynamic Range | Equivalent to 90 dB with View-DR technology |
| S/N Ratio (Gain 0 dB) | More than 50 dB |
| Gain | Auto |
| Shutter Speed | 1/1 s to 1/10,000 s |
| Exposure Control | Exposure compensation, AGC, Shutter speed, Iris |
| White Balance | AW, AW-PRO, Fluorescent lamp, Mercury lamp, Sodium vapour lamp, Metal halide lamp, White LED, One push WB, Manual |
| Lens | C-mount varifocal lens (option) |
| Easy Focus for Setup | Yes |
| Camera Features | |
| Day/Night | True D/N |
| Wide-D | View-DR |
| Tone Correction | Visibility Enhancer (VE) |
| Noise Reduction | XDNR |
| Image Stabilizer | Yes |
| Picture Mode | Yes |
| Privacy Masking (number) | 20 |
| Privacy Masking (shape) | Quadrangle formed by any four corner points |
| Privacy Masking (color/effect) | Opaque: 14 colors (Black, White, Red, Green, Blue, Cyan, Yellow, Magenta, Gray (6 scales)), Mosaic |
| Edge Storage | Yes |
| Superimpose Number | 3 independent positions for characters (Codec, Date & Time, Event, Text (max. 64 characters)), 1 independent position for logo marks |
| Superimpose Language | English |
| Menu Language | English, Japanese, Chinese (simplified), Chinese (traditional), French, Spanish, German, Italian, Korean, Portuguese, Russian, Arabic, Hindi, Vietnamese, Thai |
| Smartphone viewer | Yes |
| Video | |
| Resolution | 1920 x 1080, 1280 x 720, 1024 x 576, 720 x 576, 720 x 480, 704 x 576, 640 x 480, 640 x 360, 352 x 288, 320 x 184 (H.264, JPEG) |
| Compression Format | H.264 (High/Main/Baseline Profile), JPEG |
| Maximum Frame Rate | H.264: 60 fps (1920 x 1080) JPEG: 60 fps (1280 x 720) |
| Bitrate Compression Mode | CBR/VBR (selectable) |
| Range of Bitrate Setting | 64 Kbps to 32 Mbps |
| Solid PTZ | Yes |
| Adaptive Rate Control | H.264 |
| Bandwidth Control | JPEG |
| Multi Streaming Capability | Triple streaming |
| Number of Clients | 20 |
| Intelligent Video Analytics | |
| Analytics Architecture | DEPA Advanced |
| Intelligent Motion Detection | Yes |
| Face Detection | Yes |
| Tamper Alarm | Yes |
| Scene Analytics | Passing, Intrusion, Left Object Detection, Removed Object Detection |
| Audio | |
| Compression Format | G.711/G.726/AAC (16 kHz, 48 kHz) |
| System Requirements | |
| Operating System | Windows XP (32 bit) Professional Edition Windows Vista (32 bit) Ultimate, Business Edition Windows 7 (32/64 bit) Ultimate, Professional Edition Windows 8 Pro (32/64 bit) |
| Processor | Intel Core i7 2.8 GHz or higher |
| Memory | 2 GB or more |
| Web Browser | Microsoft Internet Explorer Ver. 7.0, Ver. 8.0, Ver. 9.0, Ver. 10.0 Firefox Ver. 19.02 (plug-in free viewer only) Safari Ver. 5.1 (plug-in free viewer only) Google Chrome Ver. 25.0 (plug-in free viewer only) |
| Network | |
| Protocols | IPv4, TCP, UDP, ARP, ICMP, IGMP*, HTTP, DHCP, DNS, NTP, RTP/RTCP, RTSP over TCP, SMTP over HTTP, IPv6, HTTPS, SNMP (v1, v2c, v3), SSL |
| QoS | DSCP |
| Multicast Streaming Support | Yes |
| ONVIF Conformance | Profile S |
| Authentication | IEEE 802.1X |

| SNC-VB635 | |
|---------------------------------|--|
| Interface | |
| Analog Video Output | BNC x1 |
| Analog Monitor Output for Setup | Phono jack x1 |
| Line Input | Mini jack (monaural) |
| Line Output | Mini jack (monaural) |
| Network Port | 10BASE-T/100BASE-TX (RJ-45) |
| Alarm Input (Sensor Input) | Yes (x2) |
| Alarm Output | Yes (x2) |
| Serial Interface | RS485 |
| Card Slots | SD Card x1 |
| Confirmed SD Card Type | 4/8/16/32 GB SDHC (no support for SDXC) |
| General | |
| Power Requirements | IEEE802.3af compliant (PoE system) 24 V AC ±20%, 50 Hz/60 Hz 12 V DC ±10% |
| Power Consumption | Max. 6 W |
| Operating Temperature | -10°C to +60°C (14°F to 140°F) |
| Cold Start Temperature | Higher than 0°C (32°F) |
| Storage Temperature | -20°C to +60°C (-4°F to 140°F) |
| Operating Humidity | 20% to 80% |
| Storage Humidity | 20% to 95% |
| Dimensions (W x H x D) | 79 mm x 74 mm x 145 mm (3 1/8 inches x 3 inches x 5 3/4 inches) |
| Mass | 570 g (1 lb 4 oz) |
| External Material | Top cover: SECC-CF Bottom cover: SECC-CF Front panel: ADC12 Rear panel: PC |
| External Color | Top cover: Munsell 3.6GY 8.4/0.3 Bottom cover: Munsell 3.6GY 8.4/0.3 Front panel: Munsell 3.5PB 2.2/0.4 Rear panel: Munsell 4.4BG 8.4/0.2 |
| Fire Retardant | UL2044 |
| Safety Regulations | JATE Technical Standard (LAN) UL2044, IEC60950-1 (CB) VCCI (Class A), FCC (Class A), IC (Class A) Emission: EN55022 (Class A) + EN50130-4 Immunity: EN55022 (Class A) + EN55024 Emission: AS/NZS CISPR22 (Class A) KCC EMC-TR |
| Supplied Accessories | CD-ROM (supplied programs) (1) Wire rope (1) Screw M4 x 8 (1) Installation Manual (1 set) Safety Regulations (1 set) C Mount Adaptor (1 set) DC 12 V/AC 24 V connector (1) |

*SSM (Source Specific Multicast) is supported.

DIMENSIONS



Unit: mm (inches)

Distributed by

©2014 Sony Corporation. All rights reserved.
Reproduction in whole or in part without permission is prohibited.
Features and specifications are subject to change without notice.
The values for mass and dimension are approximate.
SONY, PELA, IPELA ENGINE EX, Exmor, and DEPA are trademarks of Sony Corporation.
All other trademarks are the property of their respective owners.