



Single Port Power over Ethernet Wall Plug Adapter 16W Power Injector with Interchangeable Clips



Features

- Fully Compliant with IEEE802.3af
- Non-Vented Case
- Field Interchangeable AC Clips
- 1 Year Warranty
- Lowest Cost
- 10/100Mb Base-T Data rates (standard model)
- Gigabit Option (AFG Model)
- Full Protection OCP, OVP
- Diagnostic LEDs

Applications

- IP Telephones
- Wireless Network Access Points
- Blue Tooth Access Points
- Security Cameras
- IP Print Servers

Safety Approvals

- cUL/UL
- SAA
- CE
- C-Tick

Mechanical Characteristics

- Length: 80mm (3.15in)
- Width: 45mm (1.77in)
- Height: 33mm (1.29in)
- Weight: 95g (3.35oz.)

Output Specifications

Model ⁽²⁾	DC Output Voltage	Load		Regulation		Output Power
		Min.	Max.	Line	Load	
POE16R-1AF	56V	0A	0.275A	±4%		15.4W
POE16R-1AFG	56V	0A	0.275A	±4%		15.4W

- (1) Interchangeable AC clips sold separately
 (2) POE16R-1AFG model offers gigabit compatibility over standard model

Phihong is not responsible for any error, and reserves the right to make changes without notice. Please visit our website at www.phihong.com for the most up-to-date specifications and contact information.

INPUT:

AC Input Voltage Range

90 to 264VAC

AC Input Voltage Rating

100 to 240VAC

AC Input Current

0.8A (RMS) maximum for 90VAC
0.5A (RMS) maximum for 240VAC

Leakage Current

0.25mA maximum @ 254VAC 60Hz

AC Input Frequency

47-63Hz

AC Inrush Current

15A (RMS) maximum for 115VAC
20A (RMS) maximum for 230VAC

OUTPUT:

Total Output Power

15.4W

Ripple and Regulation

150mV maximum

Efficiency

75% (typical) at maximum load, and 120VAC 60Hz

Transient O/P Voltage Protection

60V maximum at switch on/off at any AC line phase

Hold-up time:

16mS minimum at maximum load and 120VAC, 60Hz

ENVIRONMENTAL:

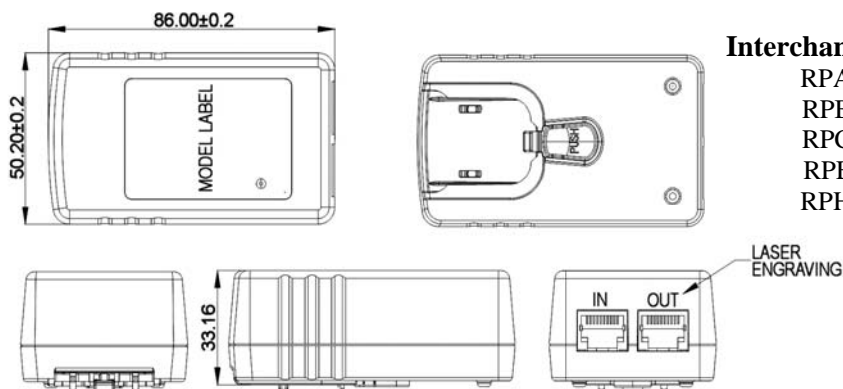
Temperature

Operation 0 to +40°C
Non-operation -25 to +65°C

Humidity

Operation 5 to 90%

Dimension Diagram Unit: mm (inch)



EMC

FCC Part 15 Class B
EN55022 Class B

Immunity EN50082-1

ESD: EN61000-4-2. Level 3
RS: EN61000-4-3. Level 2
EFT: EN61000-4-4. Level 2
Surge: EN61000-4-5. Level 3
CS: EN61000-4-6. Level 2
Voltage Dips EN61000-4-11
Harmonic: EN61000-3-2 Class A

Isolation Test

Primary to Secondary: 3000VAC for 1 second 10mA

Insulation Resistance

Primary to Secondary: >10M OHM 500VDC

FEATURE:

Over Voltage/Current, Short Circuit Protection

The output is equipped with short circuit protection and overload protection as per IEEE802.3af specifications and conforms to UL60950-2. The output can be shorted permanently without damage.

Hold-up Time

16mS min. 120VAC and maximum load

Indicator

Solid Green: Valid IEEE802.3af load detected and connected "ON"
Blinking Green/Red: Invalid load connected
Solid LED: Fault detected

Data in/Output Connector

RJ45

Output Connection (Standard Model)

+pin 4,5 / -pins 7,8

Output Connection (Gigabit Model)

+pin 3,6 / -pins 1,2

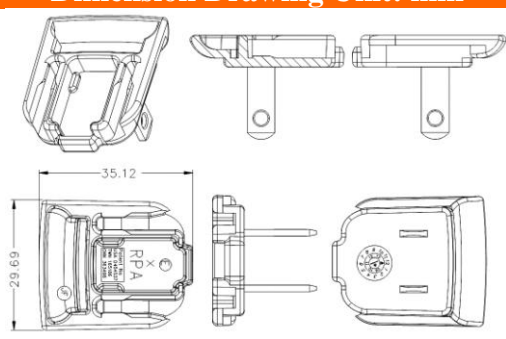
Warranty

1 Year

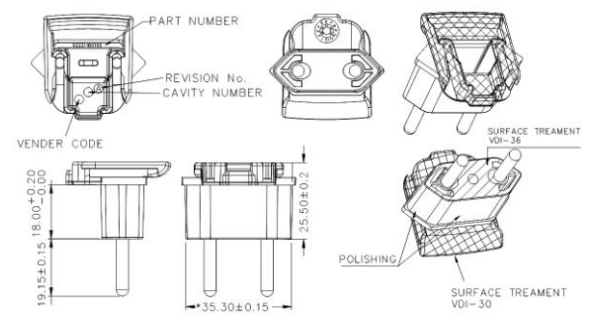
Interchangeable AC Clips (Sold Separately)

RPA: US	RPI: India
RPB: Brazil	RPK: UK
RPC: China	RPN: Argentina
RPE: Europe	RPS: Australia
RPH: Korea	RPX: C8

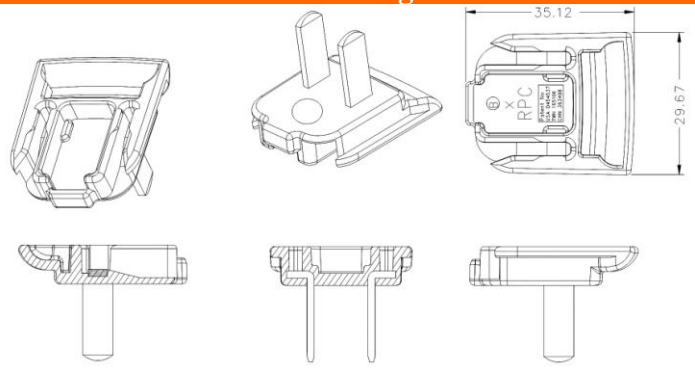
RPA – US Clip Dimension Drawing Unit: mm



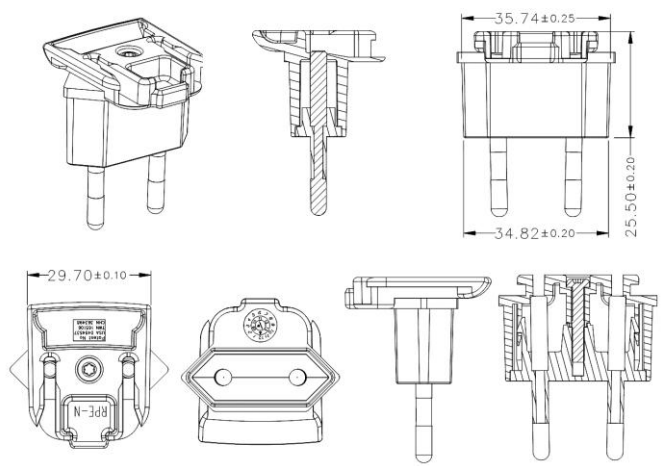
RPB – Brazil Clip Dimension Drawing Unit: mm



RPC– China Clip Dimension Drawing Unit: mm

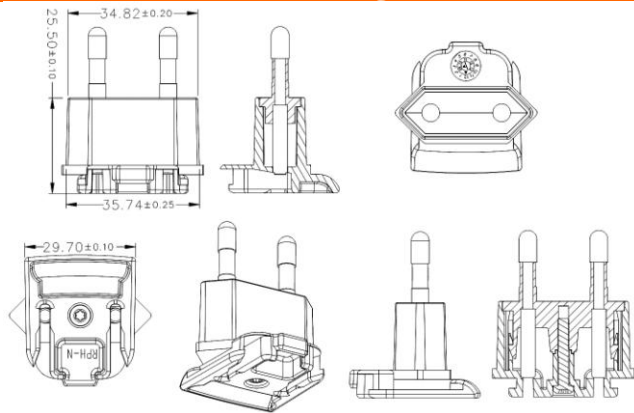


RPE - Europe Clip Dimension Drawing Unit: mm



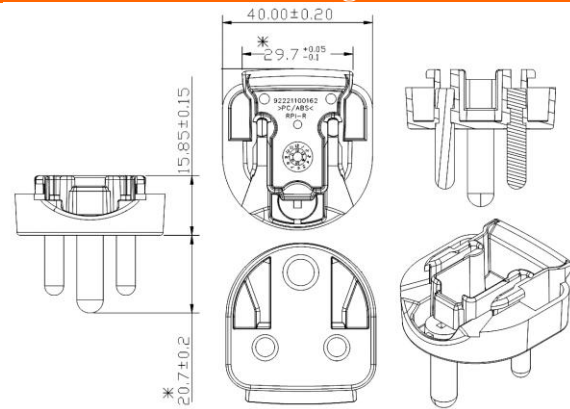
RPH – Korea Clip

Dimension Drawing Unit: mm



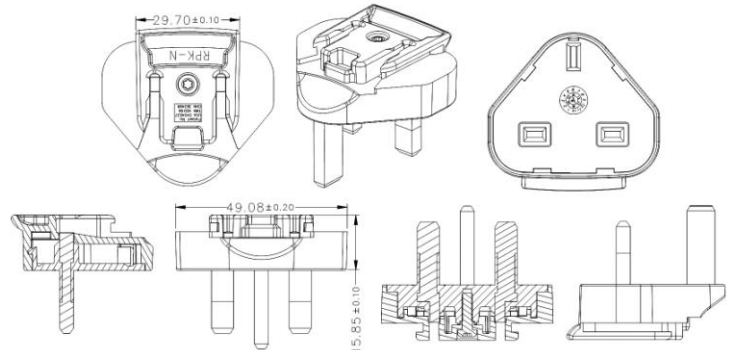
RPI – India Clip

Dimension Drawing Unit: mm



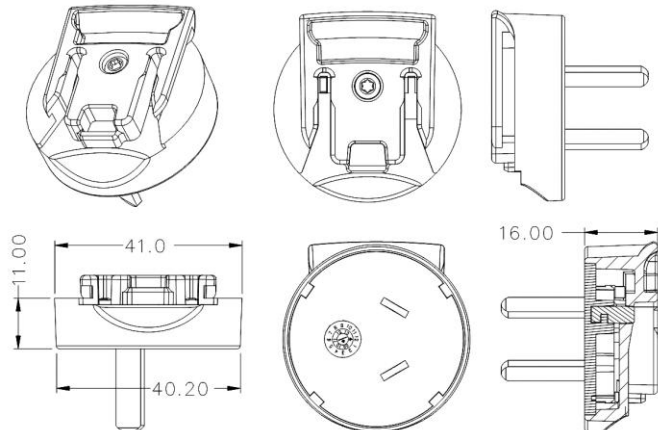
RPK – UK Clip

Dimension Drawing Unit: mm



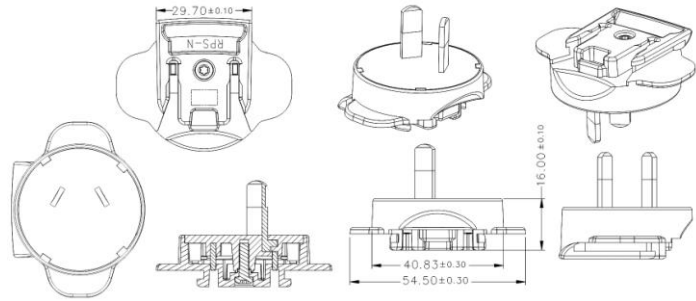
RPN – Argentina Clip

Dimension Drawing Unit: mm



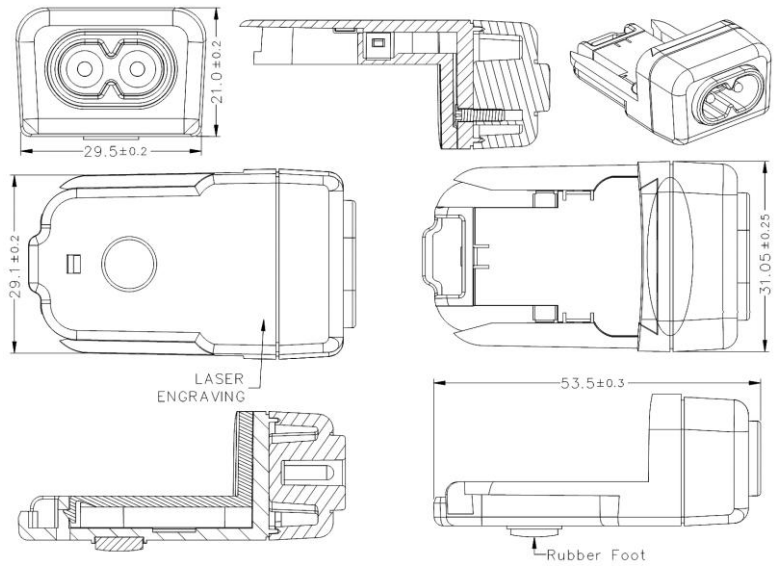
RPS – Australia Clip

Dimension Drawing Unit: mm



RPX – C8 Clip

Dimension Drawing Unit: mm



RPBAG

RPBAG

Product package comes with RPA, RPE, RPK and RPS interchangeable clips in a plastic bag.



Phihong is not responsible for any error, and reserves the right to make changes without notice. Please visit our website at www.phihong.com for the most up-to-date specifications and contact information.