

Description

The ET4500U is another component of the NITEK cutting edge EtherStretch line. This Environmentally Hardened Etherstretch solution allows for the utilization of new or existing cable infrastructure to send Ethernet for extended distances. The ET4500U transmitter can be used with the multi-port receiver units supply PoE power to operate 4 IP cameras or other network devices. Transmitter power supply is included. The unit transmits data from the 4 IP network devices over common Category cable for distances up to 600 meters or 2000 feet.

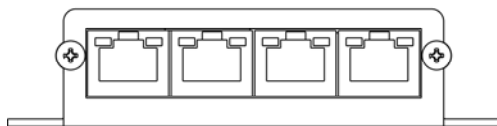
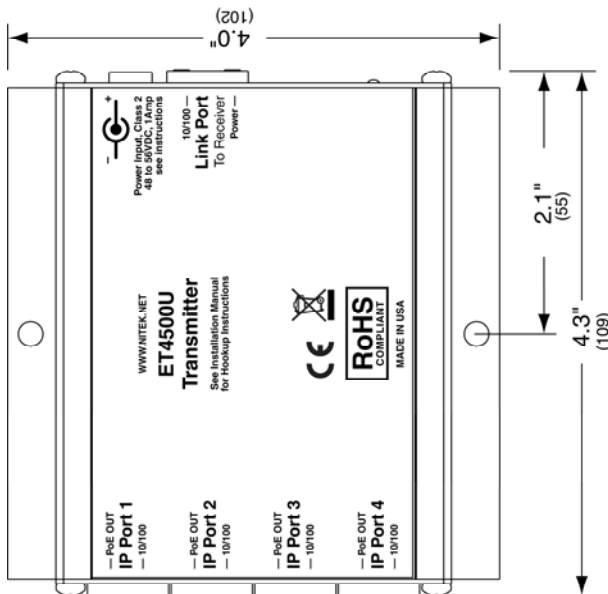
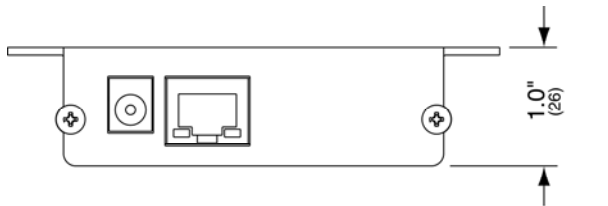
The ET4500U is part of an overall system. This transmitter works in conjunction with a multi-port receiver and requires very little installation time and no set up and or configuration. These units quickly turn ordinary category cable into a high speed network communication and PoE pathways.

The ET4500U is transparent to the network thus requiring no IP and MAC addressing. Simply connect your network devices to the networking ports of the transmitter and receiver along with existing cabling and the system begins communicating. LED indicators show the status of network communication and PoE power. The ET4500U requires no network settings to be changed or adjusted.

The NITEK EtherStretch ET4500U extends network communications to overcome cable distance limitations offering connections to devices in locations traditional networking does not allow. The ET4500U is ideal for retrofitting existing installations. The unit is constructed of industrial grade RoHS compliant plated aluminum which is finished with a corrosion resistant finish making it very durable.

Features

- Environmentally hardened
- Supports 10/100 and PoE over Category cables up to distances of 600 meters (2000 feet)
- Fully transparent to the network
- Supports 4 network devices, including mega-pixel technology IP cameras
- Easy to install, no set up required
- No MAC or IP addressing required
- LED indicators for network signals, link status and power
- 50 Watt power supply can insert PoE power for non-PoE switches
- Surge protected inputs
- Ground loop isolation
- Made in the U.S.A.



Patent Pending



USA

5410 Newport Drive, # 24
Rolling Meadows, IL 60008
Phone: (847) 259-8900
Fax: (847) 259-1300
E-mail: info@nitek.net
WWW.NITEK.NET

EUROPE

De Aar 99
8253 PN Dronten
The Netherlands
Tel: +31(0) 321 310 043
E-mail: info@nitekeurope.net
WWW.NITEK.NET

TECHNICAL SPECIFICATION

Network Transmission Device

Network Port	Four RJ45 Connectors
Link Port	RJ45 Jack
Ethernet	Auto Configuring 100BASE-TX Full Duplex
Power Connector	2.5mm (ID) x 5.5mm (OD) Barrel
LED Indicators	Link Status, Power, PoE out, 10Mb or 100Mb
PoE Compliance	IEEE 802.3af & IEEE 802.3at
PoE Output	45 Watts total output power With a 1A/48Vdc included power supply
Max Operating Distance	2,000 ft / 600 m
DC Voltage Input	48 to 56Vdc, 1 to 5A
Operating Temperature	-40° to 75° C / -40° to 167° F
Humidity	Up to 95% non-condensing
Dimensions	1.0" x 4.0" x 4.9" including tabs & BNC (25 x 102 x 124mm)
Mounting Hole	0.20" Diameter (5.0mm)
Shipping Dimensions	3.0" x 6.9" x 9.7" (76 x 175 x 246mm)
Shipping Weight	2.0lbs (0.91kg)

Common Installation Type

