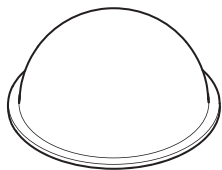


INSTALLATION GUIDE

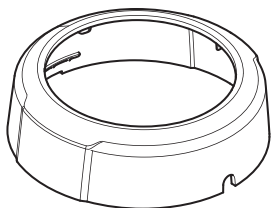
AXIS F8214 Dome Accessory



1x



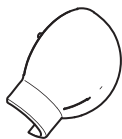
1x



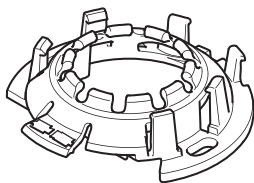
1x



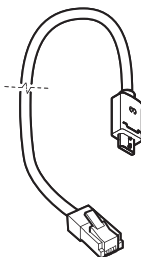
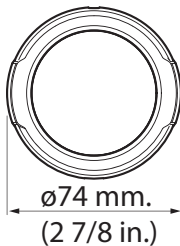
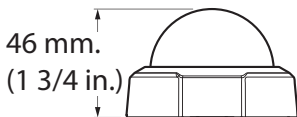
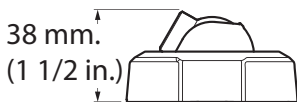
1x

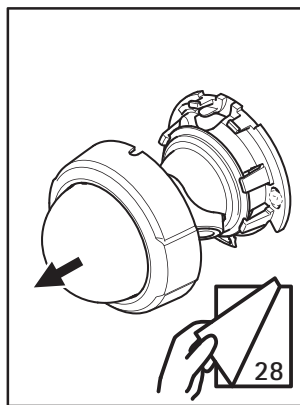
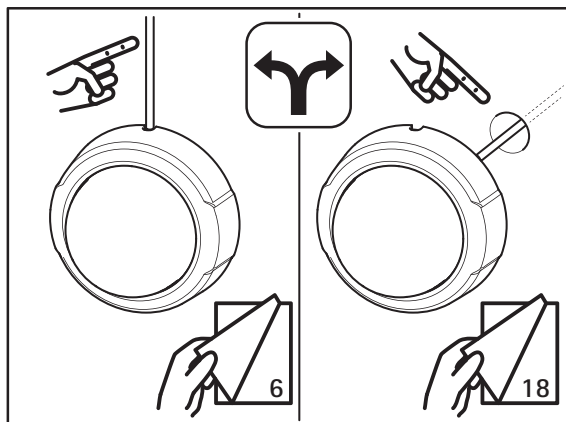


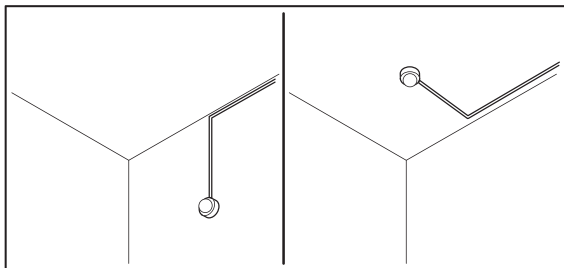
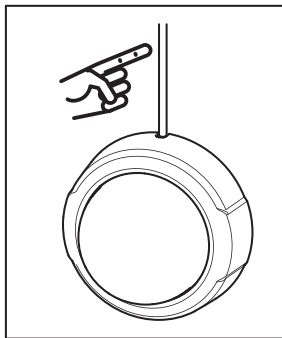
2x

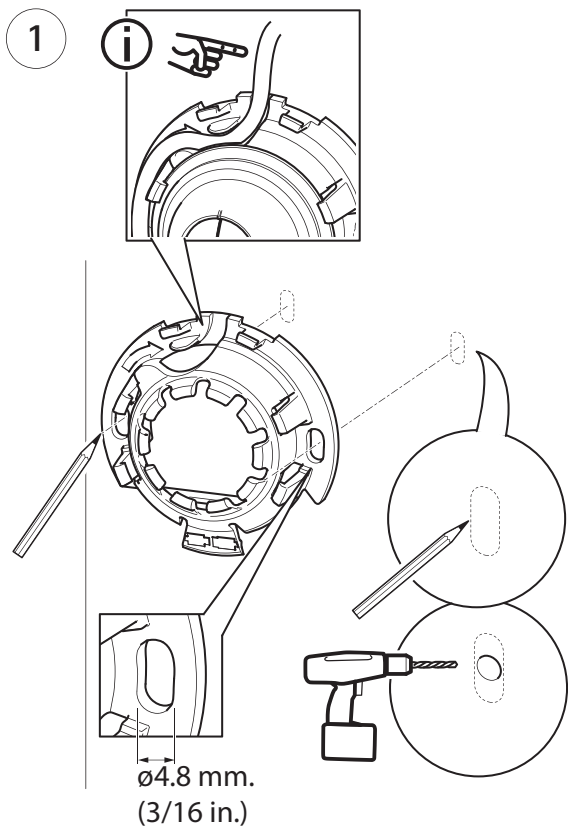


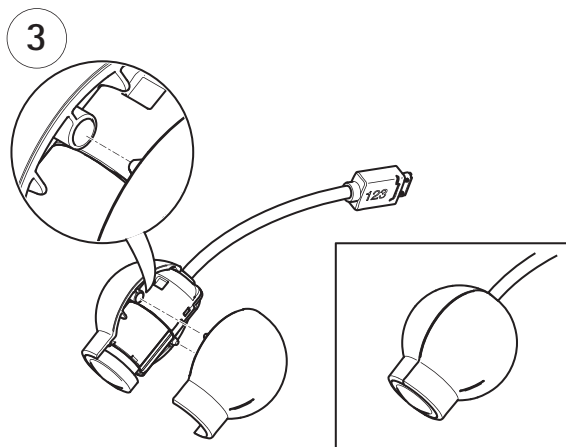
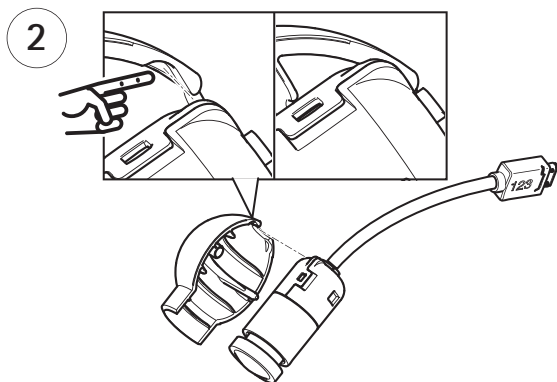
1x

**1x****1x**

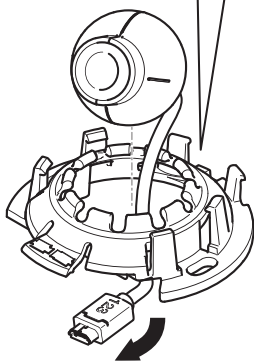
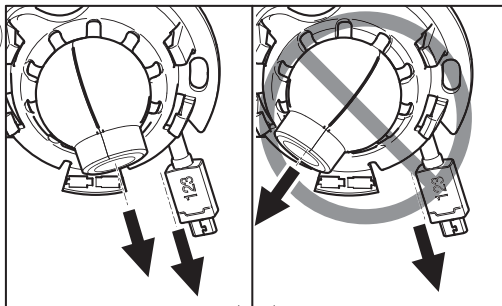




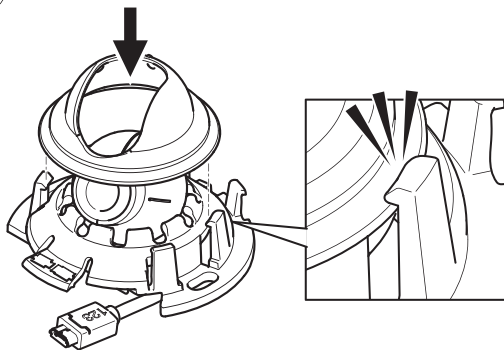




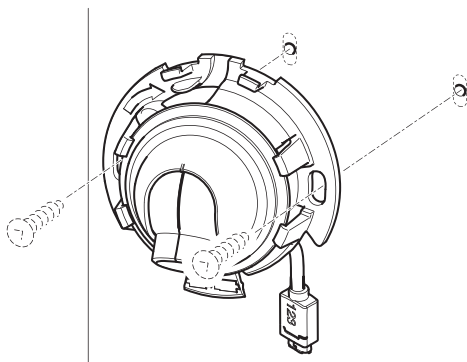
4

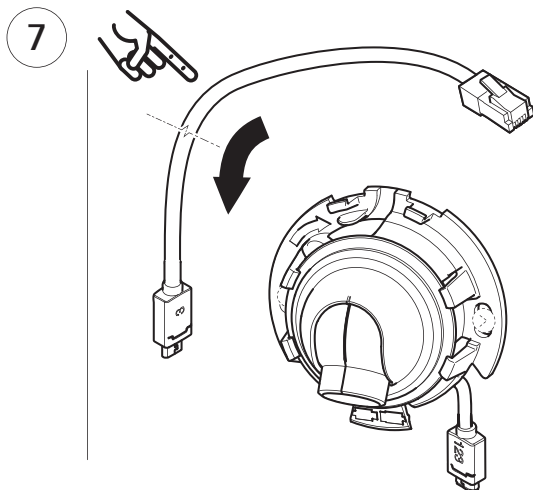
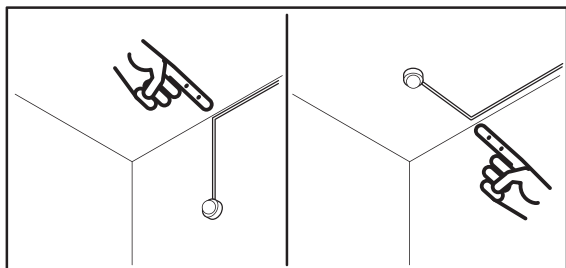


5

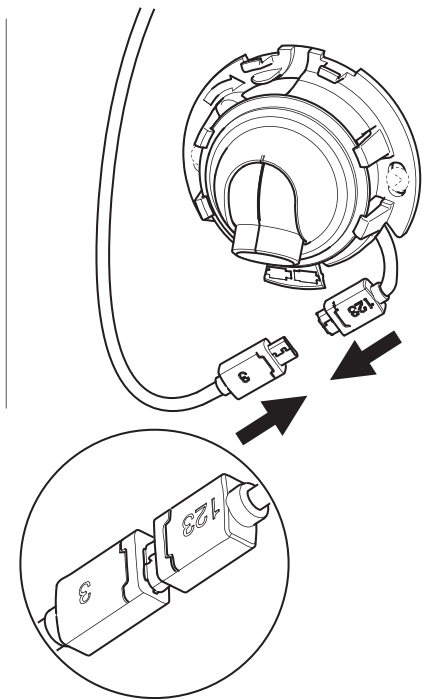


6

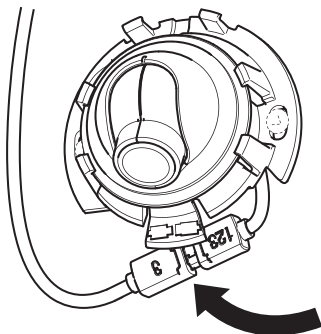
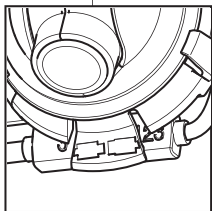




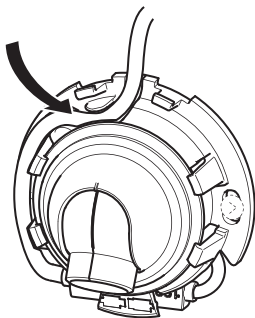
8



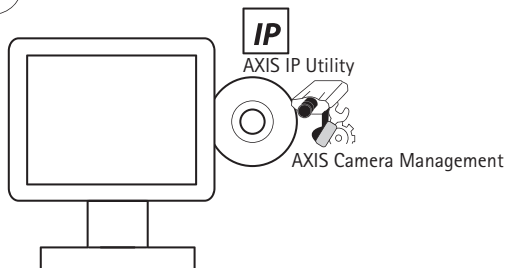
9



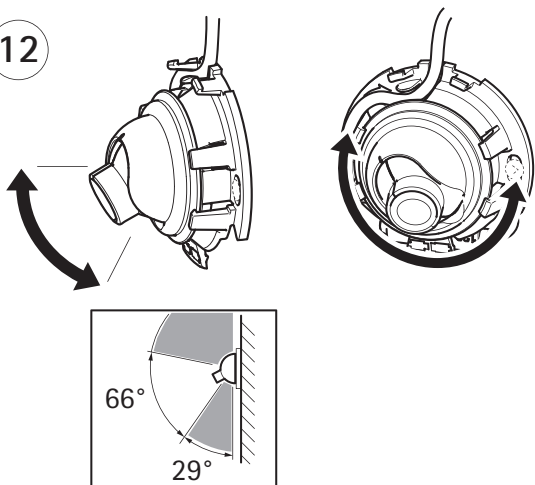
10



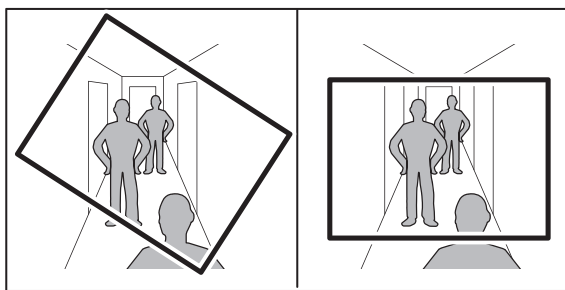
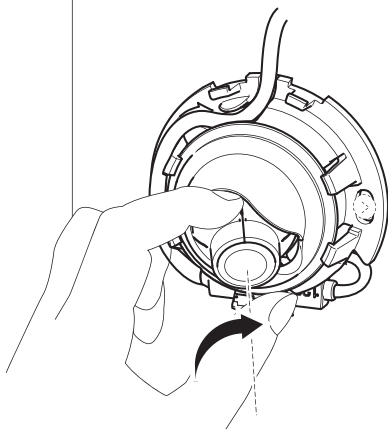
11



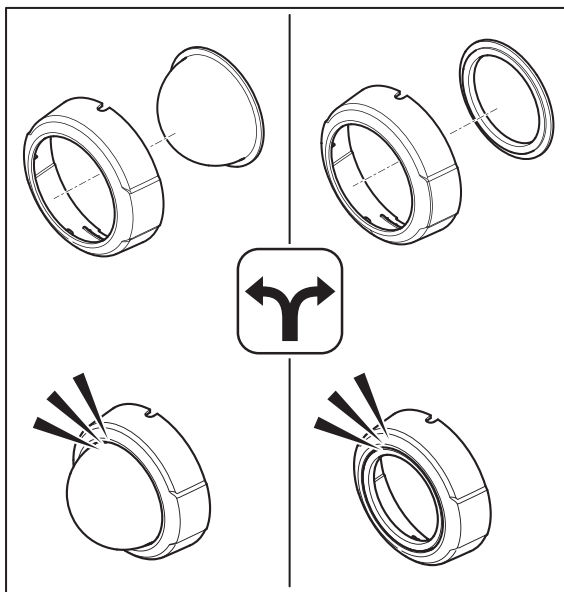
12

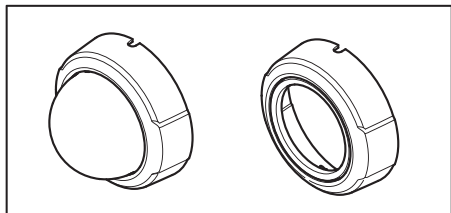


13

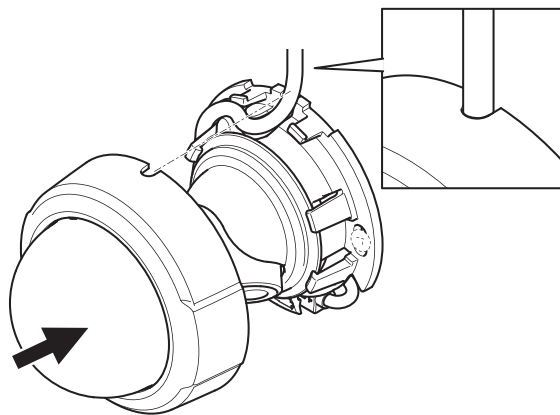


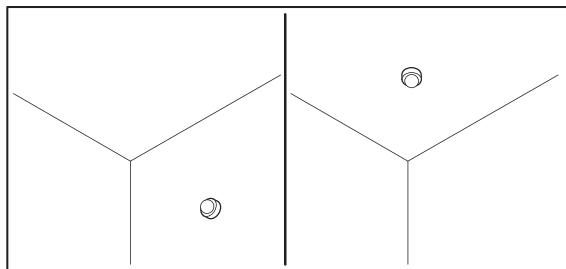
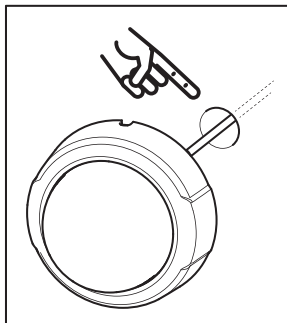
14



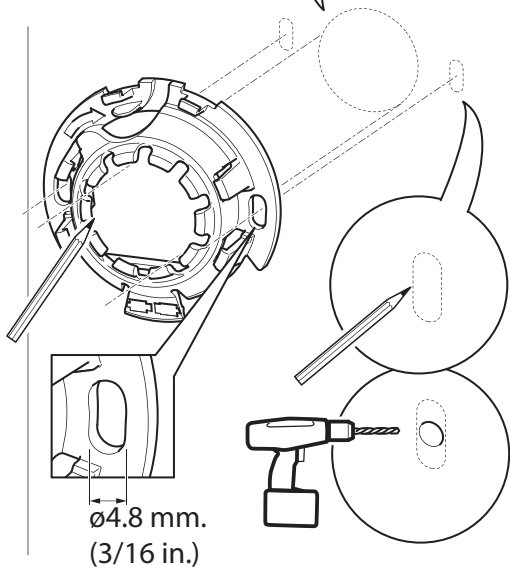
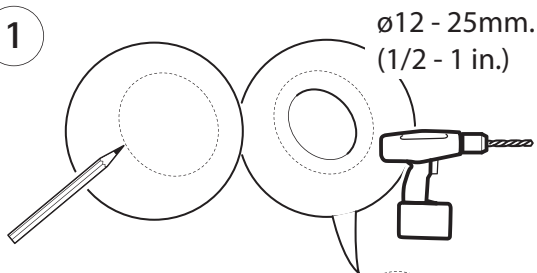


15

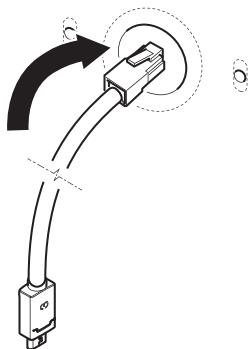




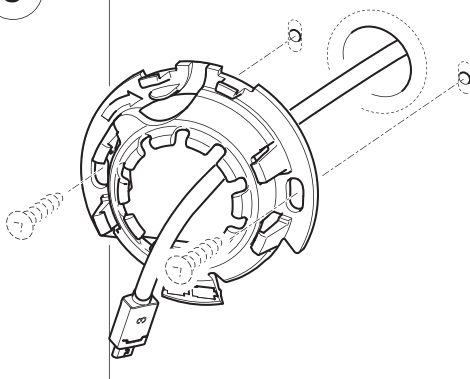
1

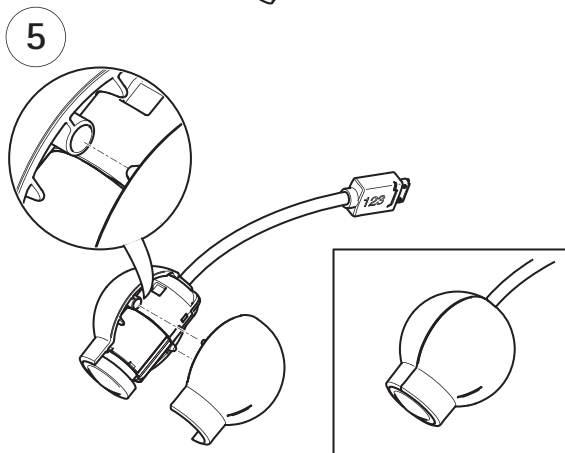
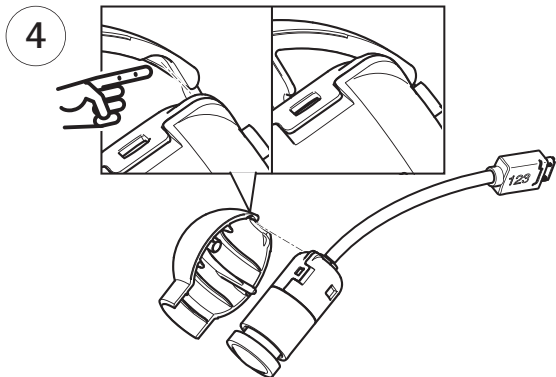


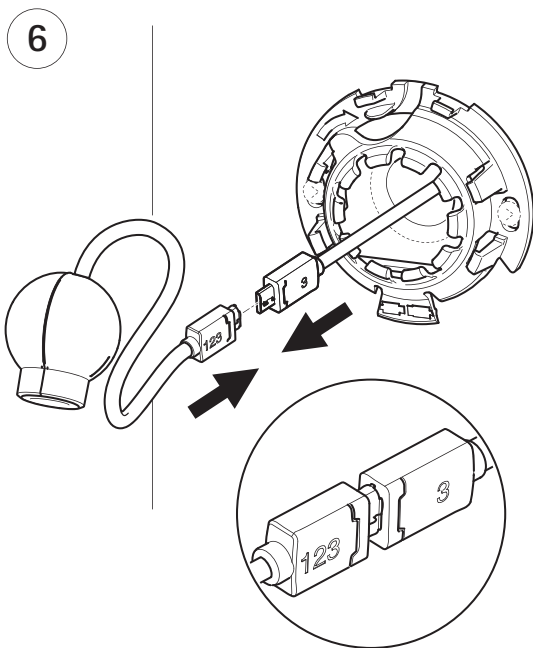
2



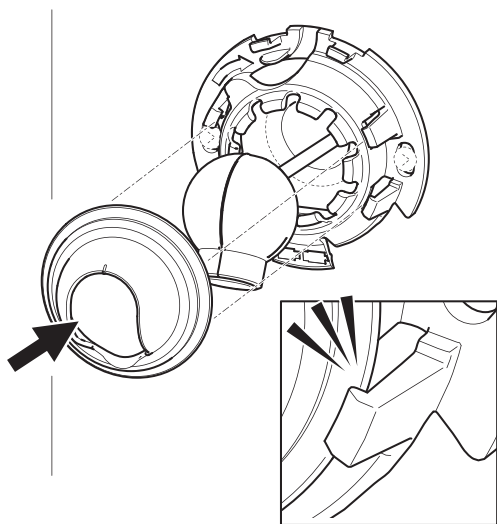
3



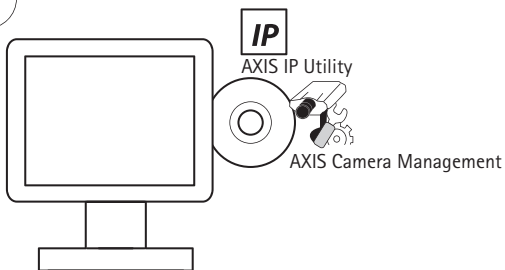




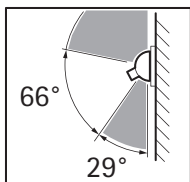
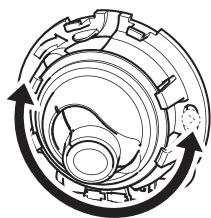
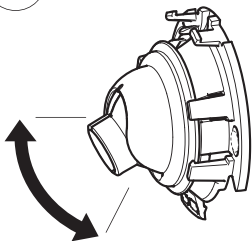
7



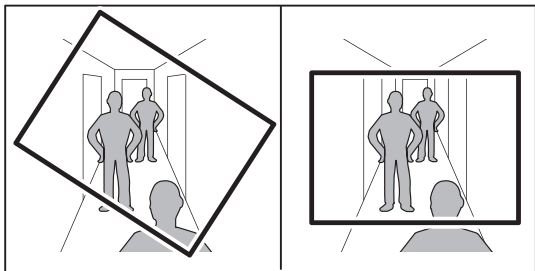
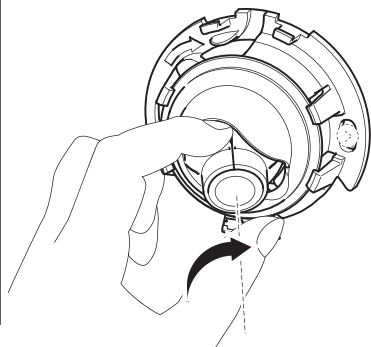
8



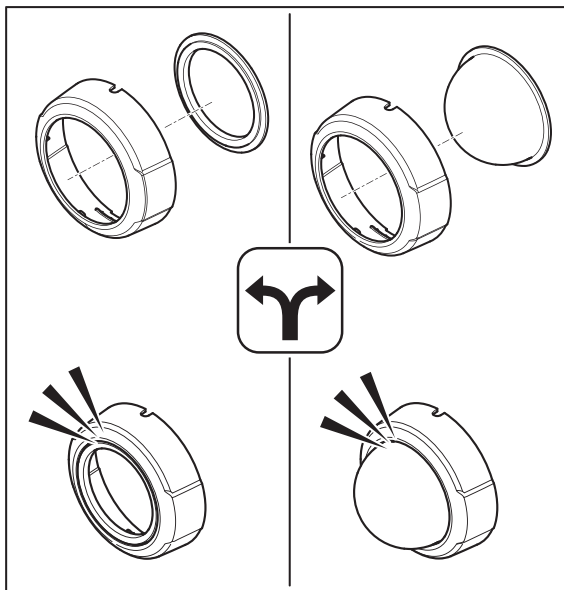
9

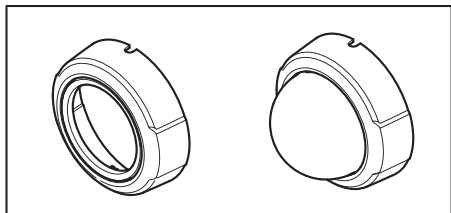


10

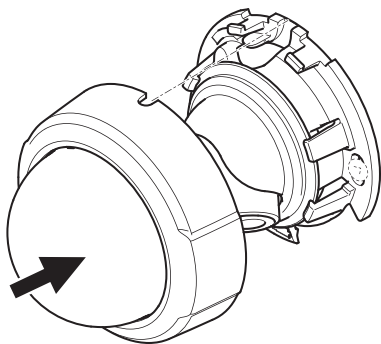


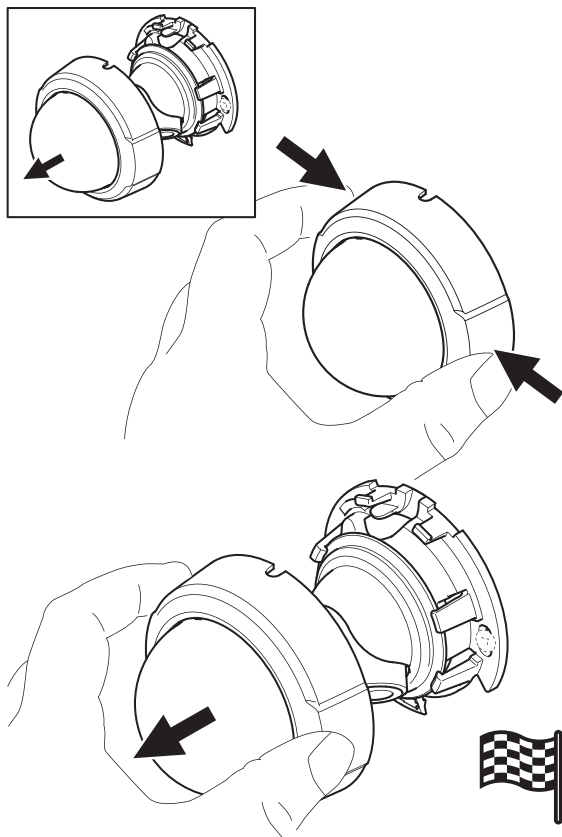
11





12





Installation Guide

Ver.1.0

AXIS F8214 Dome Accessory

Printed: June 2015

© Axis Communications AB, 2015

Part No. 63330