

EXH

EX-PROOF HOUSING



EXHC + EXHS000 + EXWBJ

DESCRIPTION

The EXH housings are made with strong Anticorodal aluminium die-cast alloy of AlSi Mg EN AB- 42000 group.

All external components are stove enameled using powder offering an excellent resistance to UV rays, salt-spray, environment polluting substances.

The cylindrical body of the EXHC housing (210mm diameter and 400mm length) is closed on opposite sides by two 12 mm thick flanges. The housing is supplied with two holes for the 3/4" NPT cable glands. The camera housing is equipped with heater and optional sunshield.

CERTIFICATIONS



MAIN FEATURES

Certifications Ex d for use in Zone 1 and 2, Group IIC (Gas), and in Zone Ex tb 21 and 22 (Dust)

Solid anticorodal aluminium construction

IP66

2 holes for cable glands 3/4" NPT

Supplied with heater. Sunshield as option.

Ambient temperature: -40°C/+50°C (-40°C/+122°F) with reinforced heater

GENERAL

Non-corrosive die-cast aluminium (anticorrosive)

Epoxy powder painted with orange peel effect, RAL7032

MECHANICAL

2 holes for cable glands 3/4" NPT

External dimensions:

- EXHC Ø 210mmx427.5mm (8.2x16.8in)

Internal dimensions:

- EXHC Ø 180x380mm (7x14.9in)

Internal usable area:

- EXHC 100x100x280mm (3.9x3.9x11in)

Glass window extra clear:

- EXHC Ø 114mm (4.5in)

Unit weight:

- EXHC 15kg / 33lb

ELECTRICAL

Reinforced heater: Ton 15°C±4°C (59°F±7°F), Toff 22°C±3°C (72°F±5°F)

- 3 resistors in the housing, consumption 60W max

Glass protection device:

- 24Vac, power consumption 2W max

Devices to install inside the housing

- Camera equipped with lens with max total power of 20W
- Voltage max. 24Vac or 230Vac
- Useful volume for camera / lens: 2800cm³
- Minimum distance between the walls of the housing and the camera/lens: 12mm

ENVIRONMENT

For installation indoors and outdoors

Operating temperature with heating: -40°C / +50°C (-40°F/+122°F)

Always refer to the temperature in the marking.

CERTIFICATIONS

ATEX (EN 60079-0:2012 +A11:2013, EN 60079-1:2014, EN 60079-31:2014):

⊕ II 2G Ex d IIC T6 Gb

⊕ II 2D Ex t IIIC T85 °C Db IP66

IECEX (IEC 60079-0:2011, IEC 60079-1:2014, IEC 60079-31:2013):

Ex d IIC T6 Gb

Ex t IIIC T85 °C Db IP66

EAC EX:

Ex II 2G Ex d IIC T6 Gb, -40°C/+50°C

Ex II 2D Ex t IIIC T85°C Db -40°C/+50°C, IP66

KCs 16-KA4B0-0057 -16-KA4B0-0058

Ex d IIC T6

Ex tb IIIC T85°C

BRACKETS AND ADAPTORS

EXWB000 Bracket and ball joint RAL7032 for EXH series

EXBJ000 Only ball joint for EXH RAL7032 housings

ACCESSORIES

EXHS000 Sunshield 580mm (22.8in) for EXH series

OCTEX3/4C Cable gland in nickel-plated brass with gasket EX 3/4" NPT, unarmoured cable IECEX-ATEX-EAC Ex

OCTEXA3/4C Cable gland in nickel-plated brass with gasket EX 3/4" NPT, armoured cable IECEX-ATEX-EAC Ex

OCTEXB3/4C Barrier cable gland in nickel-plated brass 3/4" NPT, unarmoured cable IECEX-ATEX-EAC Ex

OCTEXBA3/4C Barrier cable gland in nickel-plated brass 3/4" NPT, armoured cable IECEX-ATEX-EAC Ex

OCTEX3/4 Cable gland in nickel-plated brass with gasket EX 3/4" NPT, unarmoured cable ATEX

OCTEXA3/4 Cable gland in nickel-plated brass with gasket EX 3/4" NPT, armoured cable ATEX

OCTEXB1/2C Barrier cable gland in nickel-plated brass EX 1/2" NPT, unarmoured cable IECEX-ATEX-EAC Ex

OCTEX1/2C Cable gland in nickel-plated brass EX 1/2" NPT, unarmoured cable IECEX-ATEX-EAC Ex, with gasket from 3 to 8mm (0.12 to 0.31in)

OCTEXS1/2C Cable gland in nickel-plated brass EX 1/2" NPT, unarmoured cable IECEX-ATEX-EAC Ex, with gasket from 7.5 to 11.9mm (3 to 4.7in)

OCTEXA1/2C Cable gland in nickel-plated brass EX 1/2" NPT armoured cable IECEX-ATEX-EAC Ex, with gasket

OCTEX1/2-3/4C Cable glands reduction in nickel-plated brass 3/4" - 1/2" NPT IECEX-ATEX-EAC Ex

OCTEXP3/4C Conduit cable gland nickel-plated brass 3/4" NPT IECEX-ATEX- c CSA us - EAC Ex (operating temperature: from -60°C (-76°F) up to +80°C (+176°F))

OEXPLUG3/4 Plug EX 3/4" NPT IECEX-ATEX-EAC Ex

SPARE PARTS

OEXVETN Complete front flange with glass for EXHC and EXPTC series

OSLIEX Internal slide complete with heater for EXHC and EXPTC series

PACKAGE

Model Number	Weight	Dimensions (WxHxL)	Master carton
EXHC003R	17.5kg (39lb)	61x32x31cm (24x12.6x12.2in)	-

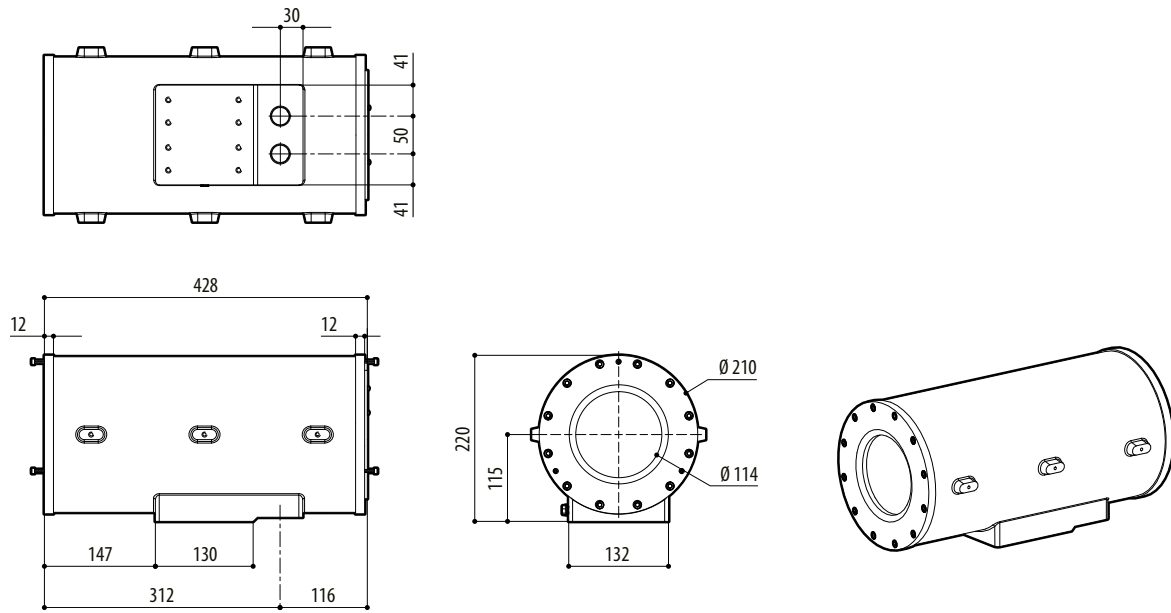
1/2" NPT CABLE GLAND SELECTION GUIDE						
Cable gland type	Certification	Operating temperature	Cable	Cable glands product code	Diameter of the external cable (mm)	Under armor cable diameter (mm)
Barrier	IECEX/ATEX/EAC Ex	-60°C / +80°C (-76°F / +176°F)	Unarmoured cable	OCTEXB1/2C	3 - 8	–
With gasket	IECEX/ATEX/EAC Ex	-60°C / +100°C (-76°F / +212°F)	Unarmoured cable	OCTEX1/2C	3 - 8	–
			Unarmoured cable	OCTEXS1/2C	7.5 - 11.9	–
			Armoured cable	OCTEXA1/2C	12.5 - 20.5	8.4 - 14.3

3/4" NPT CABLE GLAND SELECTION GUIDE						
Cable gland type	Certification	Operating temperature	Cable	Cable glands product code	Diameter of the external cable (mm)	Under armor cable diameter (mm)
Barrier	IECEX/ATEX/EAC Ex	-60°C / +80°C (-76°F / +176°F)	Unarmoured cable	OCTEXB3/4C	13 - 20.2	–
			Armoured cable	OCTEXBA3/4C	16.9 - 26	–
With gasket	IECEX/ATEX/EAC Ex	-60°C / +100°C (-76°F / +212°F)	Unarmoured cable	OCTEX3/4C	13 - 20.2	–
			Armoured cable	OCTEXA3/4C	16.9 - 26	11.1 - 19.7
	ATEX	-20°C / +80°C (-4°F / +176°F)	Unarmoured cable	OCTEX3/4	14 - 17	–
			Armoured cable	OCTEXA3/4	18 - 23	14 - 17

AVAILABLE MODELS					
Model Number	Housing heater 24Vac	Housing heater 230Vac	Reinforced heater	Glass protection device	Ambient temperature
EXHC003R	✓	–	✓	–	-40°C / +50°C (-40°F/+122°F)
EXHC203R	–	✓	✓	–	-40°C / +50°C (-40°F/+122°F)

TECHNICAL DRAWINGS

The dimensions of the drawings are in millimetres.



EXHC