

Outdoor IR D/N Dome Camera

www.boschsecurity.com



BOSCH
Invented for life



- ▶ Excellent resolution (700 TVL)
- ▶ Infrared for extra lighting
- ▶ Flexible viewing field
- ▶ Easy setup
- ▶ Secure all-weather installation

The VDI-241 Outdoor Dome range comes in robust, conduit compatible, all-weather housings (IP66 rated) and provides high-resolution images (700TVL Sensor Resolution).

For applications requiring extra lighting, this infrared version has 18 on-board IR LEDs providing maximum 15 meters (50 ft.) of night vision.

Certifications and approvals

Standards

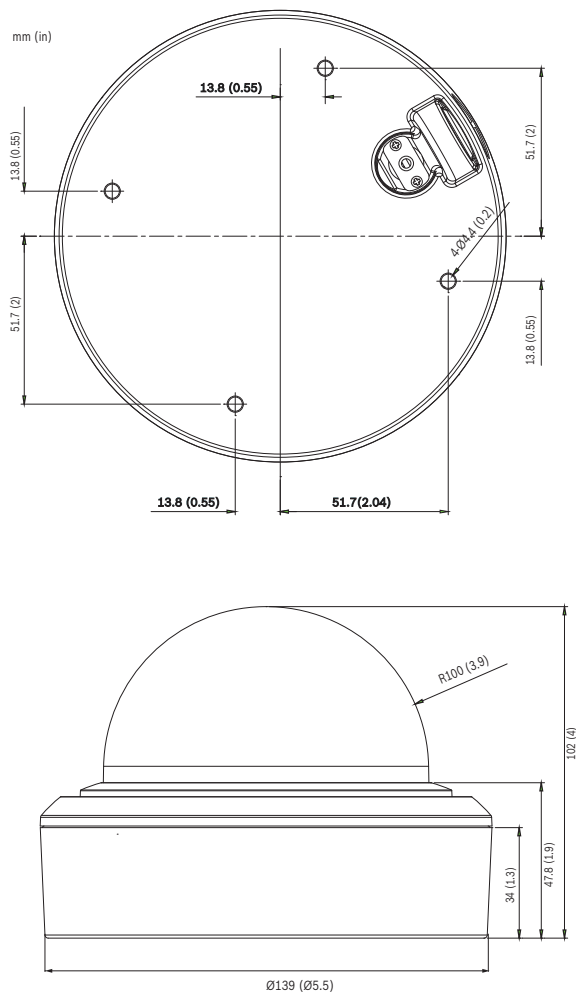
FCC Part 15:2013
EN61000-3-2:2014
EN61000-3-3:2013
EN55024:2010
EN50130-4:2011
EN55022:2010
EN60950-1:2006 + A11:2009 + A1:2010 + A12:2011 + A2:2013
UL 60950-1, 2nd Edition. 2014-10-14

	CAN/CSA-C22.2 No. 60950-1-07, 2nd Edition, 2014-10
	C-tick

Ingress protection	IP66
Impact protection	IK08

Region	Certification	
Europe	CE	Outdoor VDX-241

Installation/configuration notes



Technical specifications

Video

CCD Camera	1/3-inch High Sensitivity CCD
Effective pixels (HxV)	752x582 (PAL) 768x494 (NTSC)
Horizontal Resolution	700 TVL Sensor Resolution
Electronics Iris	1/50 to 1/120,000 s (PAL) 1/60 to 1/120,000 s (NTSC)
Manual shutter	1/50 (1/60), 1/100 (1/120), 1/250, 1/500, 1/700, 1/1K, 1/1.6k, 1/2.5K, 1/5K, 1/7K 1/10K, 1/30K, 1/60K, 1/120K
Output Signal	1 VPP composite video, 75 ohm
Output connection	BNC connector
S/N Ratio	Greater than 50 dB
Gamma	0.35, 0.45 (default), 0.6, 0.75

Lens	2.8 to 12 mm varifocal auto-iris with mechanical D/N filter
Sensitivity	0 lx (infrared on)
LEDs	Intelligent 18-LED infrared array; max. 15 m (50 ft.) IR distance
Wavelength	850 nm

Mechanical

Housing	Surface mount dome, vandal resistant
Gimbals	3D gimbal for easy installation
Construction	Robust aluminum
Finish	Off-white
Conduit Compatible	1/2-inch PT, top and side

Electrical

Power Consumption	6 W max.
Voltage	12 VDC or 24 VAC
Power Supply	Not included

Environmental

Operational Temp.	-10 °C to +50 °C (14 °F to +122 °F)
Storage Temp.	-20 °C to +60 °C (-4 °F to +140 °F)
Certified	IP66, IK08

Ordering information

VDI-241V03-1 Outdoor IR D/N Dome Camera, PAL
 Cost-effective analog outdoor dome camera. IP66; 12VDC/24VAC; varifocal 2.8 to 12 mm lens with auto iris; 700 TVL; mechanical day/night filter; infrared; PAL
 Order number **VDI-241V03-1**

VDI-241V03-2 Outdoor IR D/N Dome Camera, NTSC
 Cost-effective analog outdoor dome camera. IP66; 12VDC/24VAC; varifocal 2.8 to 12 mm lens with auto iris; 700 TVL; mechanical day/night filter; infrared; NTSC
 Order number **VDI-241V03-2**

Accessories

VDA-WMT-AODOME Outdoor Wall Mount
 Sturdy outdoor wall mount bracket for dome cameras (Ø166 mm)
 Order number **VDA-WMT-AODOME**

VDA-PMT-AODOME Outdoor Pipe Mount
 Sturdy outdoor pipe mount bracket for dome cameras (Ø166 mm)
 Order number **VDA-PMT-AODOME**

VDA-CMT-PTZDOME Corner Mount Adapter

Corner mount adapter for use with the appropriate wall mount to attach a camera onto an indoor or outdoor pole (mast)

Order number **VDA-CMT-PTZDOME**

LTC 9213/01 Pole Mount Adapter

Flexible pole mount adapter for camera mounts (use together with the appropriate wall mount bracket). Max. 9 kg (20 lb); 3 to 15 inch diameter pole; stainless steel straps

Order number **LTC 9213/01**

Represented by:

North America:

Bosch Security Systems, Inc.
130 Perinton Parkway
Fairport, New York, 14450, USA
Phone: +1 800 289 0096
Fax: +1 585 223 9180
security.sales@us.bosch.com
www.boschsecurity.us

Europe, Middle East, Africa:

Bosch Security Systems B.V.
P.O. Box 80002
5617 BA Eindhoven, The Netherlands
Phone: + 31 40 2577 284
Fax: +31 40 2577 330
emea.securitysystems@bosch.com
www.boschsecurity.com

Asia-Pacific:

Robert Bosch (SEA) Pte Ltd, Security Systems
11 Bishan Street 21
Singapore 573943
Phone: +65 6571 2808
Fax: +65 6571 2699
apr.securitysystems@bosch.com
www.boschsecurity.asia

China:

Bosch (Shanghai) Security Systems Ltd.
203 Building, No. 333 Fuquan Road
North IBP
Changning District, Shanghai
200335 China
Phone +86 21 22181111
Fax: +86 21 22182398
www.boschsecurity.com.cn

Latin America and Caribbean:

Robert Bosch Ltda Security Systems Division
Via Anhanguera, Km 98
CEP 13065-900
Campinas, Sao Paulo, Brazil
Phone: +55 19 2103 2860
Fax: +55 19 2103 2862
latam.boschsecurity@bosch.com
www.boschsecurity.com