

# Indoor Dome Camera

www.boschsecurity.com



**BOSCH**  
Invented for life



- ▶ Excellent resolution (700 TVL)
- ▶ Lens choice
- ▶ Clean images under variable light
- ▶ Day/Night performance with switchable filter
- ▶ Easy install

The VDC-251/261 Day/Night camera is a compact, stylish surveillance dome that offers excellent resolution in variable lighting conditions. The high performance 1/3-inch CCD camera is available with a 3.6 mm fixed lens or a 2.8 to 12 mm varifocal lens. The camera is an ideal solution for demanding scene conditions. The Day/Night feature ensures the highest image quality possible at any time. Depending on the available light, the camera automatically switches from color to monochrome.

The camera is easy to install and can be adjusted around 3 axes. Privacy zones and motion detection functions can be set up in the handy camera menu system.

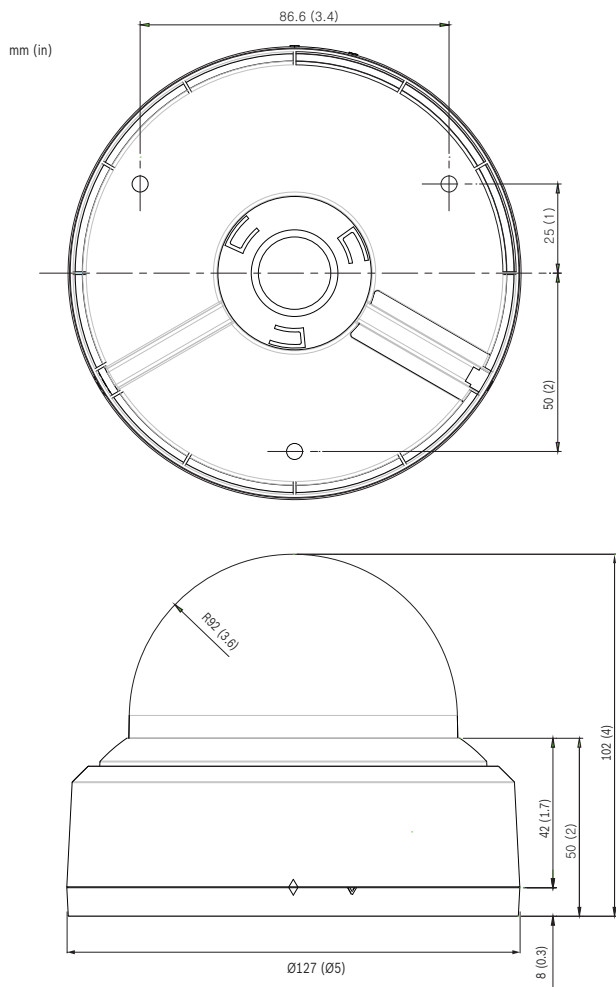
## Certifications and approvals

### Standards

	FCC Part 15:2013
	EN61000-3-2:2014
	EN61000-3-3:2013
	EN55024:2010
	EN50130-4:2011

	EN55022:2010
	EN60950-1:2006 + A11:2009 + A1:2010 + A12:2011 + A2:2013
Region	Certification
Europe	CE Indoor 251_261

## Installation/configuration notes



## Technical specifications

System	PAL or NTSC
Effective pixels (H x V)	752 x 582 (PAL) 768 x 494 (NTSC)
Image Sensor	1/3-inch High sensitivity CCD
Video Output	Composite: 1 Vpp, 75 Ohm
Sync. System	Internal sync., Line-lock
S/N Ratio (sharpness, AGC off)	50 dB min.
Horizontal resolution	700 TVL
Lens type (VDC-251)	Fixed f=3.6 mm
Lens type (VDC-261)	Varifocal f=2.8 to 12 mm
Minimum Illumination Varifocal lens (F1.4, 30IRE, AGC max.)	0.05 lx (color) 0.005 lx (ICR, B/W)
Minimum Illumination	0.15 lx (color)

Fixed lens (F2.0, 30IRE, AGC max.)	0.05 lx (ICR, B/W)
ESC	1/50 – 1/120,000 (PAL) 1/60 – 1/120,000 (NTSC)
Manual Shutter	1/50(60), 1/100(120), 1/250, 1/500, 1/700, 1/1k, 1/1.6K, 1/2.5K, 1/5K, 1/7K, 1/10K, 1/30K, 1/60K, 1/120K
DNR	Off, Low, Middle, High
White Balance	ATW, Manual, Push
SBLC	Off, Low, Middle, High
AGC	On, Off
Day/Night	Auto, Color, B/W, Ext.
Burst	On, Off
Motion detection	On, Off (4 programmable zones)
Privacy	On, Off (4 programmable zones)
Mirror	On (horizontal), Off
Sharpness	1 - 20
Gamma	0.35, 0.45, 0.6, 0.75
OSD language	English, Chinese
Lens type	DC iris / manual lens
Supply Voltage	24 VAC (±10%) 12 VDC (±10%)
Power Consumption	3.6 W max. / 0.3 A
Operating Temperature	-10 °C to +50 °C (14 °F to +122 °F)
Operating Humidity	30% to 80% RH
Storage Temperature	-20 °C to +60 °C (-4 °F to +140 °F)
Storage Humidity	20% to 90% RH

## Ordering information

**VDC-251F04-10 Dome Camera, 3.6mm lens, PAL**

Compact analog indoor dome camera with true day/night surveillance. 12VDC/24VAC; 3.6 mm fixed lens; 700 TVL; PAL

Order number **VDC-251F04-10**

**VDC-251F04-20 Dome Camera, 3.6mm lens, NTSC**

Compact analog indoor dome camera with true day/night surveillance. 12VDC/24VAC; 700 TVL; 3.6 mm fixed lens; NTSC

Order number **VDC-251F04-20**

**VDC-261V04-10 Dome Camera, 2.8-12 mm lens, PAL**

Compact analog indoor dome camera with true day/night surveillance. 12VDC/24VAC; 700 TVL; varifocal 2.8 to 12 mm lens; PAL

Order number **VDC-261V04-10**

**VDC-261-V04-20 Dome Camera, 2.8-12 mm lens, NTSC**

Compact analog indoor dome camera with true day/night surveillance. 12VDC/24VAC; 700 TVL; varifocal 2.8 to 12 mm lens; NTSC

Order number **VDC-261-V04-20**

**Accessories**

**VDA-WMT-AIDOME Indoor Wall Mount**

Indoor wall mount

Order number **VDA-WMT-AIDOME**

**VDA-PMT-AIDOME Indoor Pipe Mount**

Indoor pendant pipe mount for dome cameras (use together with the appropriate adapter bracket)

Order number **VDA-PMT-AIDOME**

**VDA-CMT-PTZDOME Corner Mount Adapter**

Corner mount adapter for use with the appropriate wall mount to attach a camera onto an indoor or outdoor pole (mast)

Order number **VDA-CMT-PTZDOME**

**LTC 9213/01 Pole Mount Adapter**

Flexible pole mount adapter for camera mounts (use together with the appropriate wall mount bracket). Max. 9 kg (20 lb); 3 to 15 inch diameter pole; stainless steel straps

Order number **LTC 9213/01**

**Represented by:**

**North America:**

Bosch Security Systems, Inc.  
130 Perinton Parkway  
Fairport, New York, 14450, USA  
Phone: +1 800 289 0096  
Fax: +1 585 223 9180  
security.sales@us.bosch.com  
www.boschsecurity.us

**Europe, Middle East, Africa:**

Bosch Security Systems B.V.  
P.O. Box 80002  
5617 BA Eindhoven, The Netherlands  
Phone: + 31 40 2577 284  
Fax: +31 40 2577 330  
emea.securitysystems@bosch.com  
www.boschsecurity.com

**Asia-Pacific:**

Robert Bosch (SEA) Pte Ltd, Security Systems  
11 Bishan Street 21  
Singapore 573943  
Phone: +65 6571 2808  
Fax: +65 6571 2699  
apr.securitysystems@bosch.com  
www.boschsecurity.asia

**China:**

Bosch (Shanghai) Security Systems Ltd.  
203 Building, No. 333 Fuquan Road  
North IBP  
Changning District, Shanghai  
200335 China  
Phone +86 21 22181111  
Fax: +86 21 22182398  
www.boschsecurity.com.cn

**Latin America and Caribbean:**

Robert Bosch Ltda Security Systems Division  
Via Anhanguera, Km 98  
CEP 13065-900  
Campinas, Sao Paulo, Brazil  
Phone: +55 19 2103 2860  
Fax: +55 19 2103 2862  
latam.boschsecurity@bosch.com  
www.boschsecurity.com