

EC5100P

Econ-line Unmanaged 4-port 10/100Base-TX (PoE) + 1-port 100Base-TX Ethernet Switch



Features

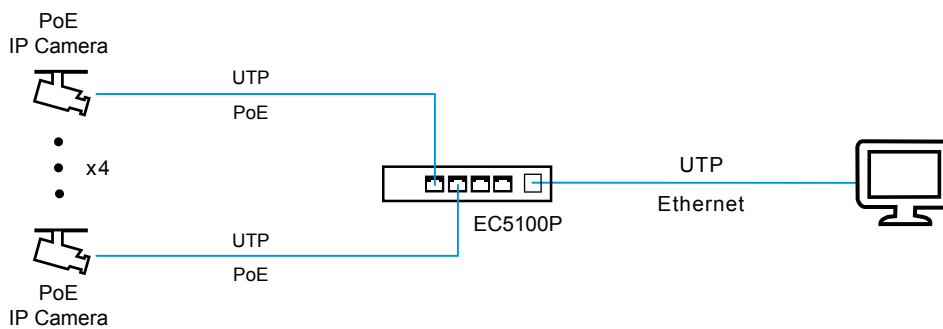
- ▶ Supports IEEE802.3af PoE (15.4W per port)
- ▶ Supports Auto-Negotiation and Auto MDI/MDI-X
- ▶ Supports Store-and-Forward Transmission
- ▶ Supports Power Saving Technology - power down unused ports and when a connected device in standby mode



Warranty

- ▶ 1-Year Warranty

Typical Application



Specifications

Ethernet

Standards	IEEE802.3 10Base-T IEEE802.3u 100Base-TX IEEE802.3x Flow Control IEEE802.3af Power over Ethernet
Processing Type	Store-and-Forward
Forward Filter Rate	14,880pps (10Mbps) 148,800pps (100Mbps)
Switch Fabric	1Gbps
Cabling	10Base-T: Cat5 or above 100Base-TX: Cat5 or above
Maximum Distance	Cat5 UTP up to 100m
Connector	5 x RJ45 (P1~P4: PoE)

Electrical and Mechanical

Input Power	48VDC, 1.25A (Max.), DC Socket
Power Consumption	8W Max. (Standby) 48W Max. (PoE in use)
LED Indicators	
Power	PWR (Power Status)
10/100TX (per port)	LINK/Activity, PoE Power Injected (P1-P4)

Specifications

PoE	
Standard	IEEE802.3af
Port	RJ45 Port 1~Port 4
Mode	Alternative A Mode
	Positive (VCC+): RJ45 Pin 1,2
	Negative (VCC-): RJ45 Pin 3,6
Max. Power per port	15.4W Per Port
Dimensions (W x D x H)	140 x 91 x 28 mm
Weight	0.3 Kg
Casing	Metal Case
Mounting options	Desktop

Environmental

Operating Temperature	0°C to 45°C (32°F to 113°F)
Storage Temperature	-20°C to 80°C (-4°F to 176°F)
Relative Humidity	Max. 90% non-condensing
MTBF	> 100,000 hrs

Regulatory Approvals

ISO9001
FCC
CE

Ordering Information

Available Model	Description
-----------------	-------------

EC5100P	Econ-line Unmanaged 4-port 10/100Base-TX (PoE) + 1-port 100Base-TX Ethernet Switch
----------------	--

Package Checklist

■ Unmanaged PoE Switch	x 1
■ 48VDC, 1.25A External Power Adapter with US, UK, EU, or AU type on request	x 1
■ Quick Installation Guide	x 1

