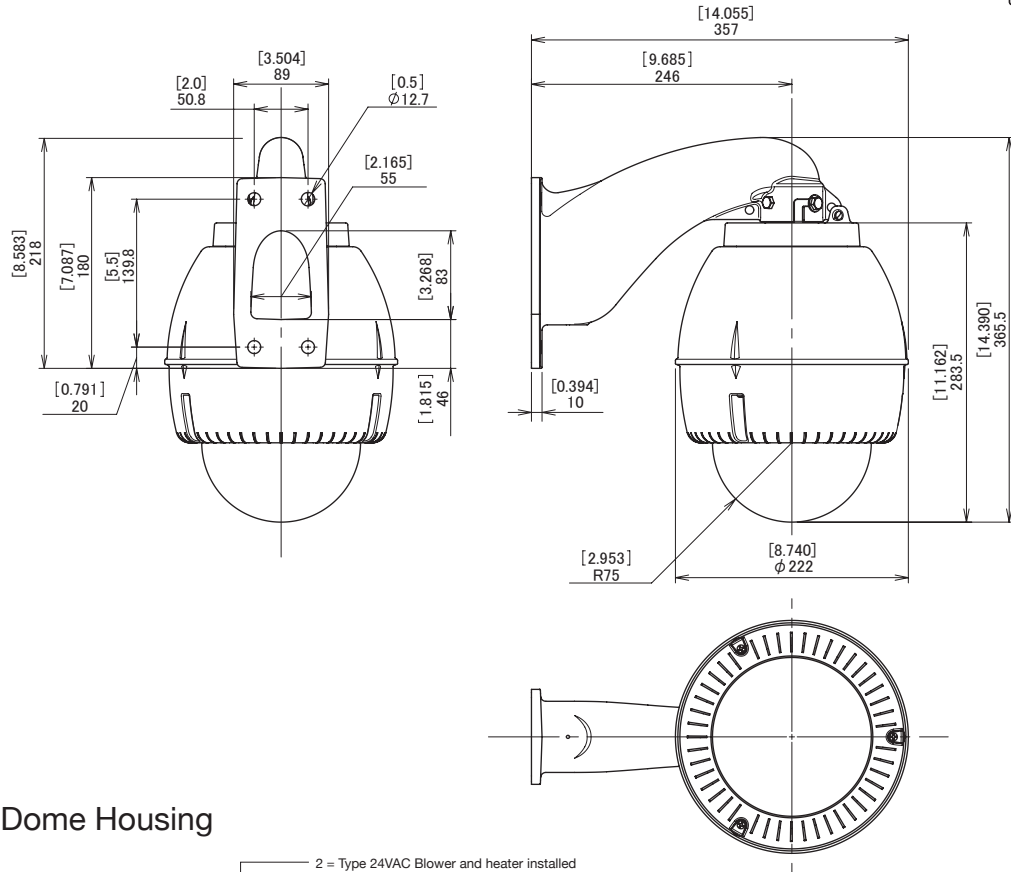


Unit: [inch]
mm



Outdoor Dome Housing

A-ODW5

6 digits registered model name(UL & PSE) | After 7 digits shows optional specifications

Capsule
C = Clear
T = Tinted

2 = Type 24VAC Blower and heater installed
12 = Type 12VDC Blower and heater installed
12(POE) = Type 12VDC Blower, heater and PoE Splitter installed in housing *1, *2
12(POE+M) = Type 12VDC Blower, heater and PoE Splitter installed in housing and Midspan are packed in product box. *1, *2

Housing Color
Nothing = Standard (Silver)
(OW) = Off-White
(DB) = Dark Brown

"Optional" Two-Coat system for Metal Parts(Bracket) for corrosion protection *3
Nothing = Standard One Coat by UV resistant polyester powder coat
-TC = "Optional" Two-Coat

Specifications

Operating Environment	Outdoor	
Operating Temperature	-20°C (-4°F) ~ +40°C (+104°F) under normal outdoor environment.	
IP Rate	IP54 (Vent Holes "Open") IP66 (Vent Holes "Closed" with provided Rubber)	
Max Wind Load	Products will not be destroyed by maximum 50m/sec (167 ft/sec) wind load. *Safety of 50m/sec (167 ft/sec) was confirmed by actual wind load test. *Safety of 60m/sec (200 ft/sec) was confirmed by our factory test data.	
Housing	Material = PC/ABS UL94 V-0 (Housing Top = Aluminum)	Standard Color : Silver Optional Color : <input type="checkbox"/> (OW) = Off-White (RAL9002 Similar) Optional Color : <input type="checkbox"/> (DB) = Dark Brown (Munsell 5YR2/1.5 Similar) *Vandal Resistant M4 Screws x 7 pcs. & Tool Set Model A-VSM4TL is optional.
Capsule	Material = PC UL 94 V-0 Light Loss : <input type="checkbox"/> (C) = Clear = Almost zero <input type="checkbox"/> (T) = Tinted = Approx. 60%	
Mounting Bracket	Wall Mount W type	Material = Aluminum Powder Coat Finish Standard Color : Black for Standard Silver Color Housing. Optional Color : <input type="checkbox"/> (OW) = Off-White (RAL9002 Similar) Optional Color : <input type="checkbox"/> (DB) = Dark Brown (Munsell 5YR2/1.5 Similar)
Weight	Approx. 3.9kgs (8.6 lbs)	
Recommended Screw	3/8" or M8~M10 Stainless Screws x 4 (Not included in product)	
Heater (Optional)	<input type="checkbox"/> (2) = 24VAC 25W <input type="checkbox"/> (12) = 12VDC 25W Standard (Optional 6W/12W) <input type="checkbox"/> (12 (POE)) <input type="checkbox"/> (12 (POE+M)) = 12VDC Input 25W Standard (Optional 6W/12W) Optional extreme cold area -20°C (-4°F) ~ 60°C (-76°F) Standard 24VAC/12VDC 25W + Additional 24VAC/12VDC 25W = Total 24VAC/12VDC 50W Auto by thermostat 4.4°C (40°F) = ON 16°C (60°F) = OFF	
Blower (Optional)	<input type="checkbox"/> (2) = 24VAC Input <input type="checkbox"/> (12) = 12VDC Input <input type="checkbox"/> (12 (POE)) <input type="checkbox"/> (12 (POE+M)) = 12VDC Input Manufacturer : Nidec Servo Corporation Model EUDC12D8 DC12V 0.04A 0.5W x 2 units are installed for both 24VAC/12VDC blower type. Auto by thermostat 35°C (95°F) = ON 27°C (80°F) = OFF	
Fuse	125V 5A(Size 5.2 x 20mm) for 24VAC Blower & Heater(Extra 1 pc. is provided.) No fuse for 12VDC Blower & Heater.	
Standard & Compliance	RoHS, UL (File #E313815), CE	

*1 Due to size and specification of camera splitter may not be installed in housing.

*2 As regards the specification of both Splitter and Midspan, you are requested to obtain our confirmation in advance before ordering.

*3 "Optional" Two-Coat system comprises 1coat = powder coating primer (Epoxy base) and Top coat = UV resistant (Polyester base) powder coating based on our standard.