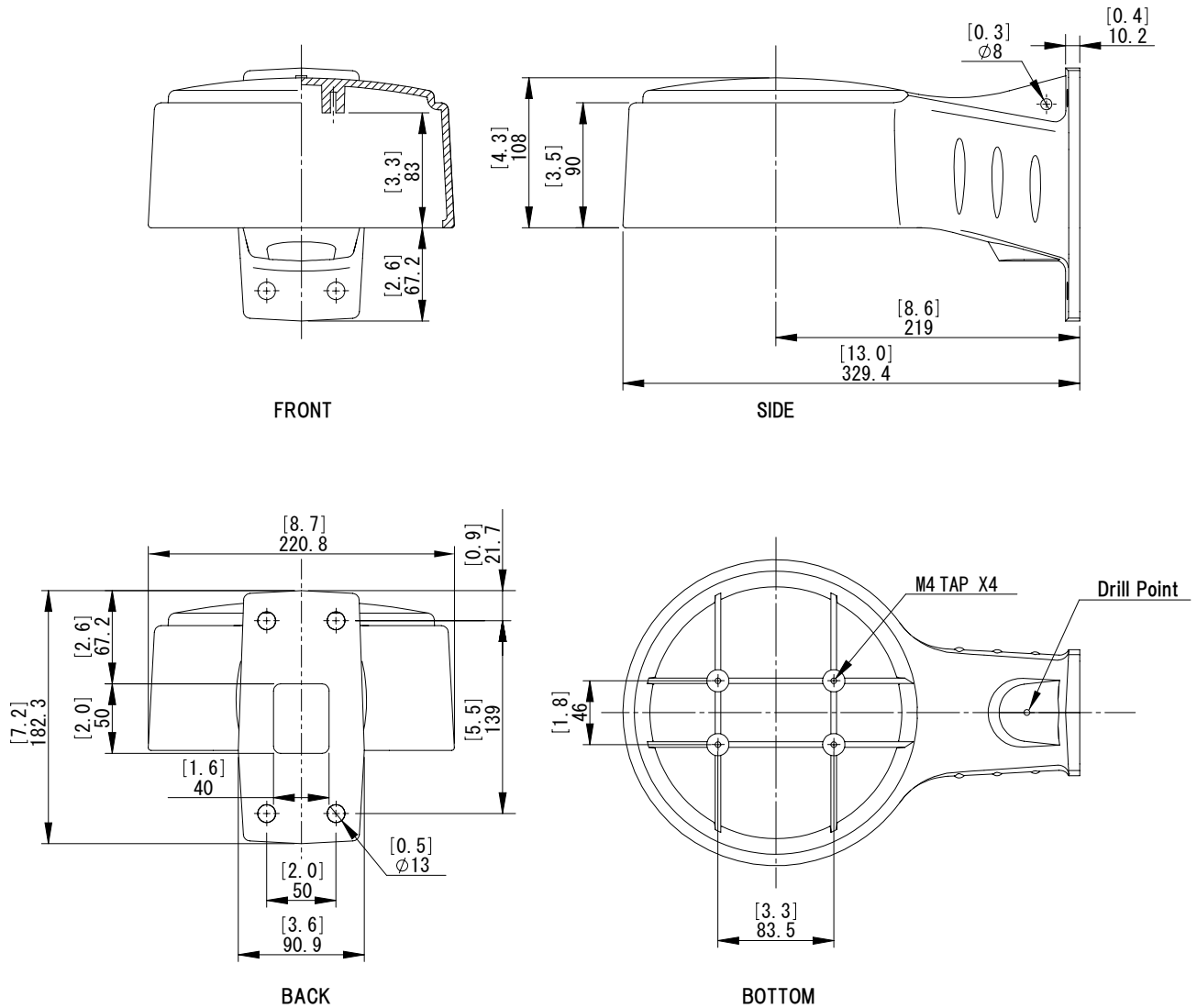


Unit: [ inch ]  
mm



## Outdoor-use Wall Mount Bracket

# A-SWD5ZWB

\* "Optional" Two-Coat system for Metal Parts(Bracket) for corrosion protection  
Nothing = Standard One Coat by UV resistant polyester powder coat  
-TC = "Optional" Two-Coat

## Specifications

For Housing Models : A-SWD5Z, A-SWD5V and A-SWD5VX

Material : Aluminum

Color : Off-White(RAL9002) Powder Coat Finish

Approx.Weight : 2kgs(4.4lbs)

Recommended Screw : 3/8"(M8, M10) x 4 pcs.(Not included in product)

Accessories : M4x12 screws x 4 pcs for mouting Housing.

Standard and Compliance : RoHS

\* "Optional" Two-Coat system comprises 1coat = powder coating primer(Epoxy base) and  
Top coat = UV resistant(Polyester base) powder coating based on our standard.

**ASC**  
ASC Corporation