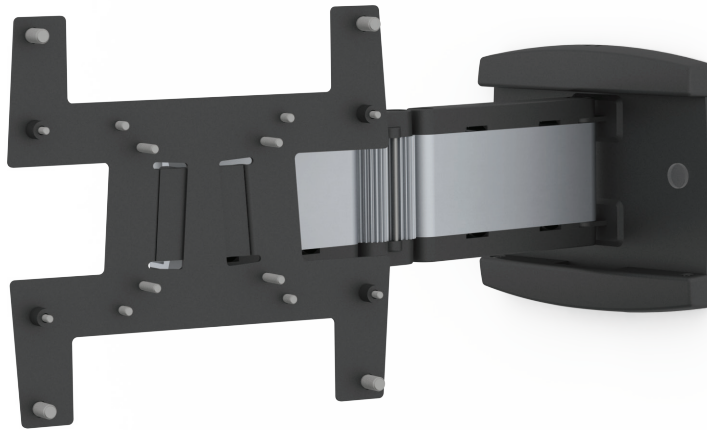


SMS ICON WL 3D



Different points of view?

The SMS Icon WL 3D is an elegant way to extend the use of your display, regardless of architectural limitations of the room. The 3D arm can be adjusted almost any way you want. The SMS Icon WL 3D is the smallest and lightest of our 3D arms. Even though we have designed a thin, flat wall bracket it is still very safe and reliable, and carries displays up to 12 kg. The display can be extended as far as 38 centimetres from the wall, or flat against it. Choose one of two finishes: Aluminium/Black or Aluminium/Anthracite Grey.

▲ INFO

Finish: Aluminium/Black or Aluminium/Anthracite Grey.

Max weight display: 12 kg

VESA hole pattern: 75 x 75 - 200 x 200 mm

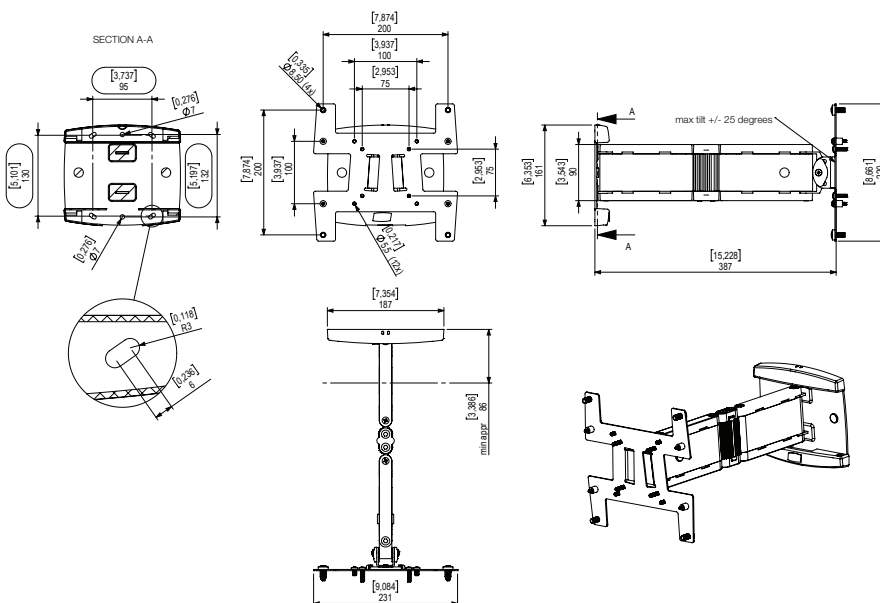
Tilt/Swivel: the display can be tilted +/- 25° and swiveled +/- 90° (depending on size of display).

Distance from wall: 86 mm (when collapsed), 387 mm (fully extended).



▲ TECHNICAL DRAWING (INCH/MM)

C181U003-1A / C181U003-2A ICON WL 3D



▲ SIMPLE ORDERING

ART. NO.

C181U003-1A Icon WL 3D Alu/Black

C181U003-2A Icon WL 3D Alu/Anthracite Grey