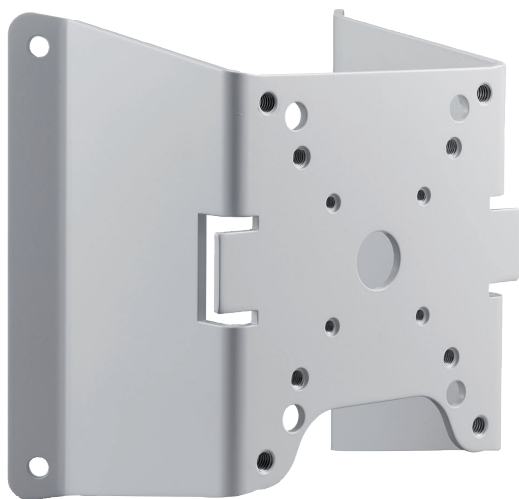


# NDA-U-CMT Corner mount adapter

www.boschsecurity.com



**BOSCH**  
Invented for life



- ▶ Allows installation of a camera to a corner of a wall
- ▶ Modular design for easy and fast installation of Bosch dome cameras (fixed and PTZ)
- ▶ Perfectly matched parts for easy selection and in-field installation
- ▶ Weather resistant finish to maintain the cosmetic appearance over the years

Bosch's **Modular Camera Mounts & Accessories** offer a modular range of camera mounts, mounting adapters, camera interface plates and surveillance cabinets. All items are easy to handle and simplify the installations of our cameras across a wide range of applications to suit all of your needs. The mechanical design is extremely robust and suitable for any environment, both indoor and outdoor. The accessories are designed with usability in mind. It's modern and sleek design is a perfect combination of form and function.

## Functions

### Corner mount adapter

Use a corner mount adapter to attach your camera to a corner. Once the adapter is attached to the corner of a wall, you can use the wall mount and surveillance cabinet or wall mount plate for safe weather proof installation.

### Universal accessory combinations

On this accessory you can mount:

- NDA-U-WMT Pendant wall mount
- NDA-U-WMP Wall mount plate
- NDA-U-PA0/1/2 Surveillance cabinet
- NDA-U-PSMB Pendant wall/ceiling mount SMB



**Certifications and approvals**

**Environmental**

Salt mist	IEC60068-2-52
Impact	IK10

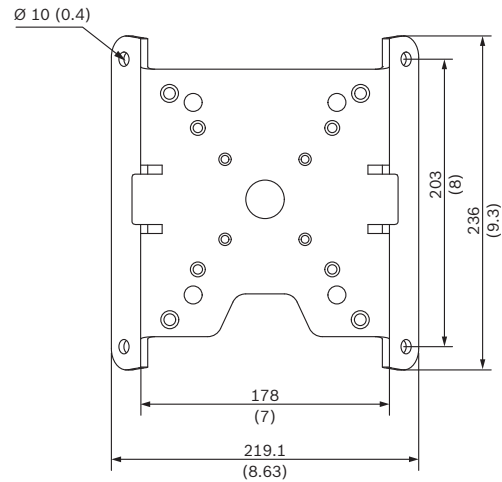
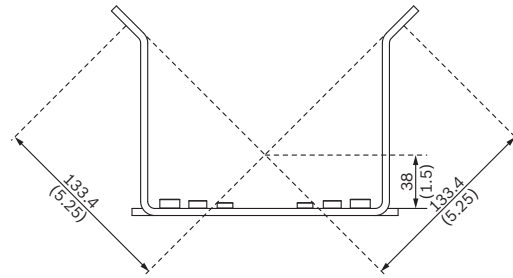
**Parts included**

Quantity	Component
1	Corner mount
4	M6 x 20 mm Hex screw
4	M6 spring washer
4	M6 washer
4	3/8 inch-16 x 1.75 inch Hex screw
4	3/8 inch washer
1	Quick Installation Guide

**Technical specifications**

**Mechanical**

Dimensions (W x H x D)	219 x 236 x 148 mm (8.6 x 9.3 x 5.8 in)
Weight	1192 g (2.63 lb)
Standard Color	White (RAL 9003)
Construction Material	Aluminum alloy
Mounting	To a corner of a wall



*NDA-U-CMT Corner mount adapter  
Dimensions in mm (inch)*

**Ordering information**

**NDA-U-CMT Corner mount adapter**  
Universal corner mount, white  
Order number **NDA-U-CMT**

**Accessories**

**NDA-U-PA0 Surveillance cabinet 24VAC**  
Power supply box, no transformer, IP66  
Order number **NDA-U-PA0**

**NDA-U-PA1 Surveillance cabinet 120VAC**  
Power supply box with a 120 VAC transformer, IP66  
Order number **NDA-U-PA1**

**NDA-U-PA2 Surveillance cabinet 230VAC**  
Power supply box with a 230 VAC transformer, IP66  
Order number **NDA-U-PA2**

**NDA-U-PSMB Pendant wall/ceiling mount SMB**  
Surface mount box (SMB) for wall mount or pipe mount.  
Order number **NDA-U-PSMB**

**NDA-U-WMP Wall mount plate**  
Back plate for universal wall mount, corner mount and pole mount, white, IP66  
Order number **NDA-U-WMP**

**NDA-U-WMT Pendant wall mount**  
Universal wall mount for dome cameras, white  
Order number **NDA-U-WMT**

**Represented by:**

**Europe, Middle East, Africa:**  
Bosch Security Systems B.V.  
P.O. Box 80002  
5600 JB Eindhoven, The Netherlands  
Phone: + 31 40 2577 284  
emea.securitysystems@bosch.com  
emea.boschsecurity.com

**Germany:**  
Bosch Sicherheitssysteme GmbH  
Robert-Bosch-Ring 5  
85630 Grasbrunn  
Germany  
www.boschsecurity.com

**North America:**  
Bosch Security Systems, Inc.  
130 Perinton Parkway  
Fairport, New York, 14450, USA  
Phone: +1 800 289 0096  
Fax: +1 585 223 9180  
onlinehelp@us.bosch.com  
www.boschsecurity.us

**Asia-Pacific:**  
Robert Bosch (SEA) Pte Ltd, Security Systems  
11 Bishan Street 21  
Singapore 573943  
Phone: +65 6571 2808  
Fax: +65 6571 2699  
apr.securitysystems@bosch.com  
www.boschsecurity.asia