

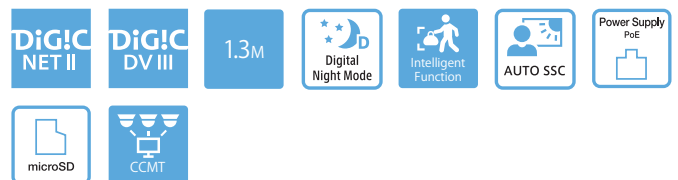
# VB-S805D Mk II

Smart, HD Fixed Minidome camera in an ultra-compact body.

The Fixed Minidome is a HD network security camera with ultra-compact lens technology. Ideal for indoor security in retail, education and business environments.



- HD at 30fps for clear, detailed images
- CMOS sensor delivers high performance in low light
- Wide angle F/1.6 Canon lens offers a 95,0° Angle of View
- Multi-streaming of MJPEG and H.264 video in HD or lower resolutions
- Direct recording / playback from microSD card (64GB)
- Auto Smart Shade Control (Auto-SSC) applies the optimum exposure for every environment
- Motion Adaptive Noise Reduction and Area-Specific Data Size Reduction (ADSR) help reduce data size while optimising image quality
- Built-in analytics functions for intelligent and efficient alarm detection
- Live monitoring and configuration on supported web browsers and mobile devices
- ONVIF® Profile S compliant
- Compact size: just 120mm in diameter and 54mm in height



**Canon**

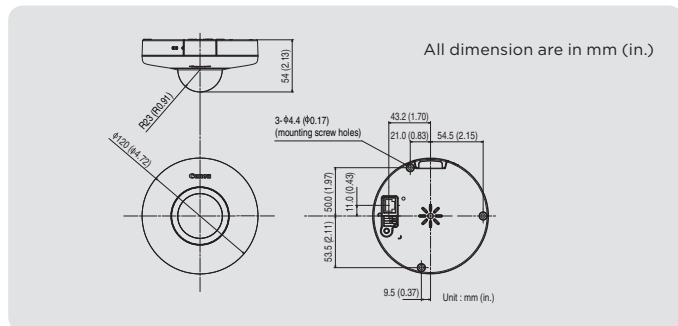
# VB-S805D Mk II

## Technical Specifications

CAMERA	
<b>Image Sensor</b>	1/3 type CMOS (primary colour filter)
<b>Number of Effective Pixels</b>	Approx. 1.3 million pixels
<b>Scanning Method</b>	Progressive
<b>Lens</b>	Fixed focal length lens (4x digital zoom)
<b>Focal Length</b>	2.7 mm
<b>F-number</b>	F1.6
<b>Viewing Angle</b>	For 16:9 aspect ratios: Horizontal: 96.0° Vertical: 60.5° For 4:3 aspect ratios: Horizontal: 77.0° Vertical: 60.5°
<b>Day / Night Switch</b>	Auto / Day Mode / Night Mode
<b>Min. Subject Illumination</b>	Day Mode (colour): 0.45 lux (F1.6, shutter speed 1/30 sec., SSC off, 50IRE) Night Mode (monochrome): 0.25 lux (F1.6, shutter speed 1/30 sec., SSC off, 50IRE)
<b>Shooting Distance (from front of lens)</b>	0.5 m (1.6 ft.) - infinity
<b>Shutter Speed</b>	1, 1/2, 1/4, 1/8, 1/15, 1/30, 1/50, 1/60, 1/100, 1/120, 1/250, 1/500, 1/1000, 1/2000, 1/4000, 1/8000, 1/10000, 1/16000 sec.
<b>Exposure</b>	Auto / Auto (Flickerless) / Auto (Flickerless2) / Auto (Shutter-priority AE) / Manual
<b>White Balance</b>	Auto/Manual Daylight Fluorescent/White Fluorescent/Warm Fluorescent/ Mercury Lamp/Sodium Lamp/Halogen Lamp Manual: One-shot WB/R Gain/B Gain
<b>Metering Mode</b>	Center-Weighted / Average / Spot
<b>Exposure Compensation</b>	9 levels
<b>Smart Shade Control</b>	Auto / Manual / Disable Auto: 3 levels Manual: 7 levels
<b>Haze Compensation</b>	Auto / Manual / Disable Auto: 3 levels Manual: 7 levels
<b>AGC Limit</b>	6 levels
<b>Motion-Adaptive NR (Noise Reduction)</b>	Available
<b>Pan Angle Range</b>	350° (±175°)
<b>Tilt Angle Range</b>	90° (ceiling-mounted position: -90° - 0°) - When the horizontal direction of the camera is 0°
<b>Rotation Angle Range</b>	180° (±90°)
SERVER	
<b>Video Compression Method</b>	JPEG, H.264
<b>Video Size</b>	JPEG, H.264: 1280 x 720, 640 x 360, 320 x 180 1280 x 960, 640 x 480, 320 x 240
<b>Video Quality</b>	JPEG, H.264: 10 levels
<b>Frame Rate</b>	JPEG: 0.1 - 30 fps H.264: 1/2/3/5/6/10/15/30 fps - Values represent streaming performance from the camera. - The frame rate may be reduced due to Viewer PC's specs, the number of clients accessing at the same time, network loads, video quality setting, type or movement of the subject or other reasons.
<b>Max. Frame Rate</b>	When streaming JPEG, H.264 (1920 x 1080): 30 fps When used in the following combinations: When streaming H.264(1) (1920 x 1080) and H.264(2) (all sizes) simultaneously: 15 fps When streaming H.264(1) (all sizes) and H.264(2) (1920 x 1080) simultaneously: 15 fps When streaming H.264(1) (1280 x 960) and H.264(2) (1280 x 960) simultaneously: 15 fps When streaming H.264(1) (1280 x 720) and H.264(2) (1280 x 720) simultaneously: 15 fps
<b>I-Frame Interval</b>	0.5/1/1.5/2/3/4/5 sec.
<b>Simultaneous Client Access</b>	Max. 30 Clients + 1 Admin Client - H.264: Max. 10 Clients

<b>Bit Rate Control</b>	Target Bit Rate: 64/128/256/384/512/768/1024/1536/2048/3072/4096/6144/8192/10240/12288/14336/16384 kbps
<b>ADSR: Area-specific Data Size Reduction</b>	Number of Specified Areas: Max. 8 areas Data Size Reduction Level: 3 levels
<b>Encrypted Communications</b>	SSL / TLS, IPsec (Auto Key Exchange / Manual)
<b>IEEE 802.1X</b>	EAP-MD5, EAP-TLS, EAP-TTLS, EAP-PEAP
<b>Protocol</b>	IPv4, IPv6, TCP/IP, UDP, HTTP, FTP, SNMPv1/v2c/v3 (MIB2), DHCP, DNS, AutoIP, mDNS, ARP, ICMP, POP3, NTP, SMTP, RTP/RTCP, RTSP, SSL/TLS, IPsec, ONVIF, WV-HTTP (Canon proprietary)
<b>ONVIF Profile</b>	Profile-S
<b>Audio Compression Method</b>	G.711 $\mu$ -law (64 kbps)
<b>Audio Communication Method</b>	Audio Reception Only
<b>Privacy Mask</b>	Number of registration: Max. 8 places, Number of mask colours: 1 (select from 9 colours)
<b>Preset</b>	Number of registers: Max. 20 positions (+Home Position) Number of Preset Tour Route: Max. 1
<b>Intelligent Function</b>	Video: Moving Object Detection, Abandoned Object Detection, Removed Object Detection, Camera Tampering Detection, Passing Detection, Intrusion Detection Detection Settings: Max. 15 Non-detection Area Settings: Available Audio: Volume Detection, Scream Detection
<b>Event Trigger Type</b>	External Device Input, Timer, Intelligent Function (Video), Intelligent Function (Volume)
<b>Image Upload</b>	FTP / HTTP / SMTP (e-mail)
<b>Event Notification</b>	HTTP / SMTP (e-mail)
<b>Camera Angle Setting</b>	Available
<b>Image Cropping Function</b>	Digital PTZ Cropping sizes: 640 x 360 / 512 x 288 / 384 x 216 / 256 x 144 / 128 x 72 640 x 480 / 512 x 384 / 384 x 288 / 256 x 192/128 x 96
<b>On-Screen Display</b>	Available
<b>Daylight Saving Time</b>	Available
APPLICATION	
<b>Viewer</b>	Camera Viewer Mobile Camera Viewer
<b>Included Software</b>	Camera Management Tool RM-Lite Recorded Video Utility On-Screen Display Assist Tool
<b>Language</b>	German/English/Spanish/French/Italian/Polish/Russian/ Turkish/Thai/Korean/Chinese (Simplified) /Japanese
INTERFACE	
<b>Network Terminal</b>	LAN x 1 (RJ45, 100Base-TX (auto / full-duplex / half-duplex))
<b>Audio Input Terminal (common for LINE IN &amp; MIC IN)</b>	$\Phi$ 3.5 mm ( $\Phi$ 0.14 in.) mini-jack connector (monaural) LINE IN (connect to an amplifier microphone) or MIC IN (connect to a microphone w/o amplifier) - Switch LINE IN/MIC IN in the Setting Page.
<b>External Device I/O Terminal</b>	Input x 1, Output x 1
<b>Memory Card</b>	microSD Memory Card, microSDHC Memory Card, microSDXC Memory Card Compatible. Frame Rate: Max. 1 fps (JPEG) Max. 30 fps (H.264)
OTHER	
<b>Operating Environment</b>	Temperature: -10°C - +50°C (+14°F - +122°F) Humidity: 5% - 85% (without condensation)
<b>Power Supply</b>	PoE: PoE power supply via LAN connector (IEEE802.3at Type1 compliant)
<b>Power Consumption</b>	Max. 4.1 W - Class 2 power sourcing equipment (requests 7.0 W)
<b>Dimensions</b>	(H x W x D) 54 x 32 x 114 mm (2.13 x 1.26 x 4.49 in.) - excluding projections
<b>Weight</b>	Approx. 180 g (6.4 oz.)
<b>International Standard</b>	EN55032 Class B, FCC part15 subpart B Class B, ICES-003 Class B, VCCI Class B, RCM AS/NZS EN55032 Class B, CNS13438 Class B, KN22 Class B, EN55024, KN24, EN50581 ----- IEC/UL/EN60950-1

## Dimensions



All data is based on Canon standard testing methods except where indicated.  
Subject to change without notice.  
™ and ®: All company and / or product names are trademarks and / or registered trademarks of their respective manufacturers in their markets and / or countries.

Smart, HD Fixed Minidome camera in an ultra-compact body.

# VB-S805D Mk II



The Fixed Minidome is a HD network security camera with ultra-compact lens technology. Ideal for indoor security in retail, education and business environments.

Sales Start Date: Q1, 2018

#### Product Details:

Product Name	Mercury Code	EAN Code
Network Camera VB-S805D Mk II	2554C001AA	4549292107005

#### Optional Accessories:

Product Name	Mercury Code	EAN Code
Pendant Mounting Kit (PC30-VB)	9919B001AA	4549292022575
Surface Mounting Spacer (SS30-VB)	9920B001AA	4549292022582
Junction Box Mounting Kit (PS30-VB)	9921B001AA	4549292022568
Plenum Mounting Kit (SR30-P-VB)	1065C001AA	4549292071566

#### Measurement / Logistic Information:

Product Name	Mercury code	Pack type	Pack description	Quantity per pack	Length (mm)	Width (mm)	Height (mm)	Net Weight (kg)	Gross Weight (kg)
Network Camera VB-S805D Mk II	2554C001AA	EA	Each	1	174	174	135	Approx. 0.2	Approx. 0.6
		CT	Carton	6	445	374	212	Approx. 1.4	Approx. 4.5
		EP	Euro Pallet	—	—	—	—	—	—

#### What's in the box?

- VB-S805D Mk II Main Unit
- Power Connector
- Instruction Guide
- Warranty Card
- Notice
- EAC-Supported Guide