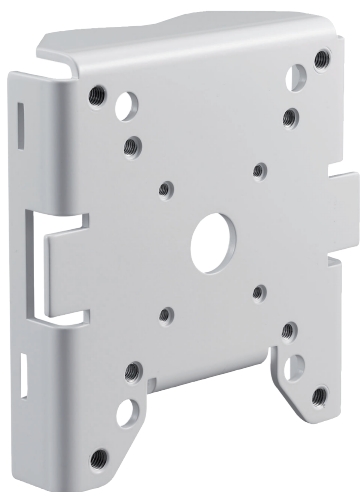


NDA-U-PMAL Pole mount adapter large

www.boschsecurity.com



BOSCH
Invented for life



- ▶ Allows installation of a camera to a pole
- ▶ Modular design for easy and fast installation of Bosch dome cameras (fixed and PTZ)
- ▶ Perfectly matched parts for easy selection and in-field installation
- ▶ Weather resistant finish to maintain the cosmetic appearance over the years

Bosch's **Modular Camera Mounts & Accessories** offer a modular range of camera mounts, mounting adapters, camera interface plates and surveillance cabinets. All items are easy to handle and simplify the installations of our cameras across a wide range of applications to suit all of your needs. The mechanical design is extremely robust and suitable for any environment, both indoor and outdoor. The accessories are designed with usability in mind. It's modern and sleek design is a perfect combination of form and function.

Functions

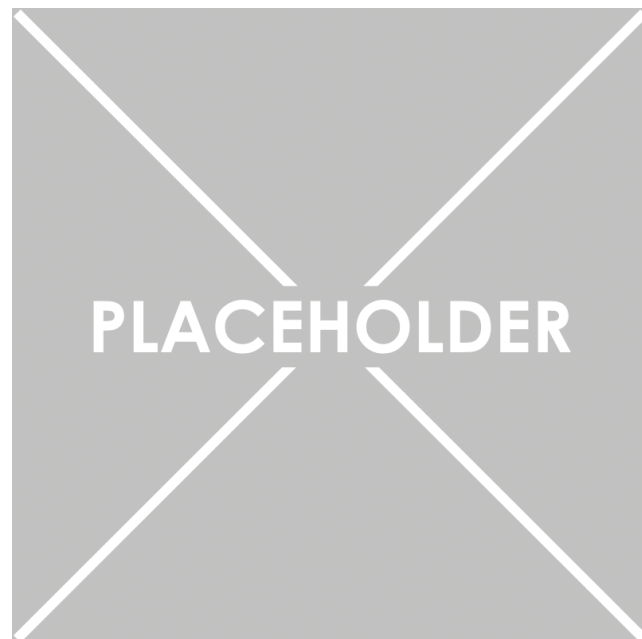
Pole mount adapter

Use a pole mount adapter to attach your camera to a pole or mast. Once the adapter is attached to the pole, you can use the wall mount and surveillance cabinet for safe weather proof installation.

Universal accessory combinations

On this accessory you can mount:

- NDA-U-WMT Pendant wall mount
- NDA-U-WMP Wall mount plate
- NDA-U-PA0/1/2 Surveillance cabinet
- NDA-U-PSMB Pendant wall/ceiling mount SMB



Certifications and approvals

Environmental

Salt mist	IEC60068-2-52
Vibration	NEMA TS2
Shock	IEC60068-2-27
Impact	IK10

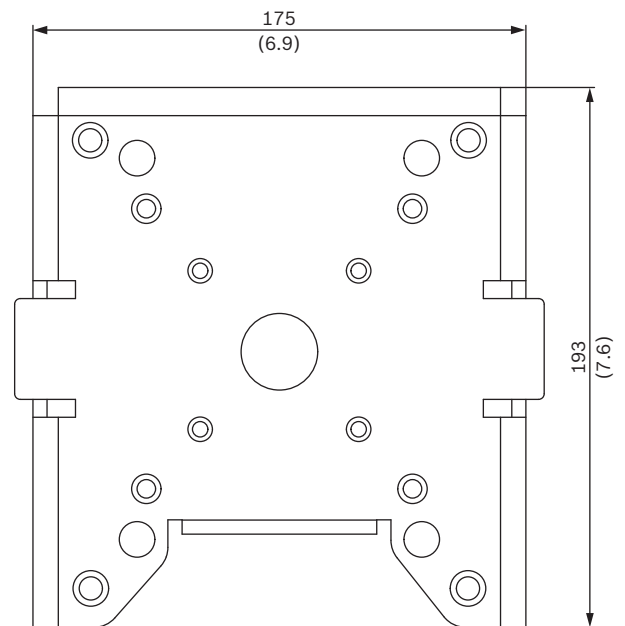
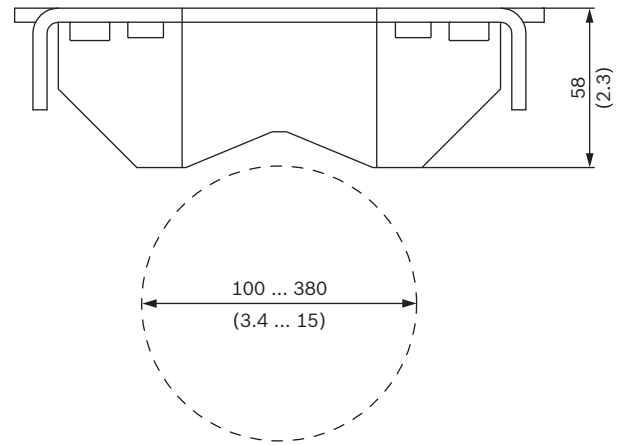
Parts included

Quantity	Component
1	Pole mount adapter large
4	3/8 inch-16 x 1.75 inch Hex screw
4	3/8 inch washer
4	M6 x 30 mm Hex screw
4	M6 washer
4	M6 spring washer
2	Strap, stainless, 5 feet long
2	Buckle
1	Quick Installation Guide

Technical specifications

Mechanical

Dimensions (W x H x D)	188 x 192 x 57 mm (7.4 x 7.6 x 2.2 in)
Weight	638 g (1.41 lb)
Standard Color	White (RAL 9003)
Construction Material	Aluminum alloy
Mounting	To a pole



Dimensions in mm (inch)

Ordering information

NDA-U-PMAL Pole mount adapter large

Universal pole mount adapter, white; large
Order number **NDA-U-PMAL**

Accessories

NDA-U-PA0 Surveillance cabinet 24VAC

Power supply box, no transformer, IP66
Order number **NDA-U-PA0**

NDA-U-PA1 Surveillance cabinet 120VAC

Power supply box with a 120 VAC transformer, IP66
Order number **NDA-U-PA1**

NDA-U-PA2 Surveillance cabinet 230VAC

Power supply box with a 230 VAC transformer, IP66
Order number **NDA-U-PA2**

NDA-U-PSMB Pendant wall/ceiling mount SMB

Surface mount box (SMB) for wall mount or pipe mount.

Order number **NDA-U-PSMB**

NDA-U-WMP Wall mount plate

Back plate for universal wall mount, corner mount and pole mount, white, IP66

Order number **NDA-U-WMP**

NDA-U-WMT Pendant wall mount

Universal wall mount for dome cameras, white

Order number **NDA-U-WMT**

Represented by:

Europe, Middle East, Africa:
Bosch Security Systems B.V.
P.O. Box 80002
5600 JB Eindhoven, The Netherlands
Phone: + 31 40 2577 284
emea.securitysystems@bosch.com
emea.boschsecurity.com

Germany:
Bosch Sicherheitssysteme GmbH
Robert-Bosch-Ring 5
85630 Grasbrunn
Germany
www.boschsecurity.com

North America:
Bosch Security Systems, Inc.
130 Perinton Parkway
Fairport, New York, 14450, USA
Phone: +1 800 289 0096
Fax: +1 585 223 9180
onlinehelp@us.bosch.com
www.boschsecurity.us

Asia-Pacific:
Robert Bosch (SEA) Pte Ltd, Security Systems
11 Bishan Street 21
Singapore 573943
Phone: +65 6571 2808
Fax: +65 6571 2699
apr.securitysystems@bosch.com
www.boschsecurity.asia