

# QNB-6000

2M Network Camera



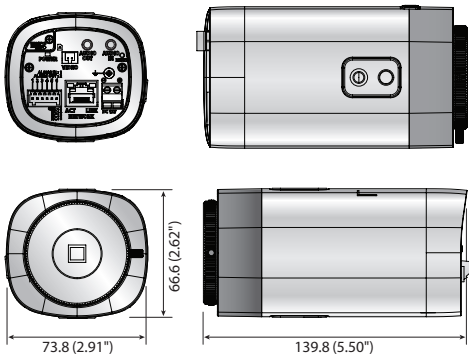
\* Lens not included

## Key Features

- 0.095Lux (Color), 0.01Lux (B/W)
- H.265, H.264, MJPEG dual codec, Multiple streaming
- Max. 30fps@2MP
- Day & Night (ICR), WDR (120dB)
- Motion detection, Tampering, Defocus detection
- Micro SD/SDHC/SDXC memory slot (Max. 128GB)
- Hallway view, WiseStream support
- PoE, Bi-directional audio support

## Dimensions

Unit : mm (inch)



## QNB-6000

<b>VIDEO</b>	
Imaging Device	1/2.9" 2.19M CMOS
Total Pixels	2,000(H) x 1,121(V)
Effective Pixels	1,984(H) x 1,105(V)
Scanning System	Progressive Scan
Min. Illumination	Color : 0.095Lux, B/W : 0.01Lux
Video Output	CVBS : 1.0Vpp / 75Ω composite, 714 x 480(N), 702 x 576(P), for installation DIP connector type
<b>LENS</b>	
Focus Control	Manual
Lens Type	Manual / DC Auto Iris
Mount Type	C / CS
<b>OPERATIONAL</b>	
Camera Title	Off / On (Displayed up to 20 characters) - English / Numeric / Special / Chinese characters - Multi-line (Max. 5), Color (Gray / Green / Red / Blue / Black / White), Transparency, Auto scale by resolution
Day & Night	Auto (ICR)
Backlight Compensation	Off / BLC / WDR
Wide Dynamic Range	120dB
Digital Noise Reduction	SSDR (Off / On)
Motion Detection	Off / On (4ea, polygonal)
Privacy Masking	Off / On (6ea, polygonal)
Gain Control	Off / Low / Middle / High
White Balance	ATW / AWC / Manual / Indoor / Outdoor
LDC (Lens Distortion Correction)	Off / On (5 Levels with min / max)
Electronic Shutter Speed	Minimum / Maximum / Anti flicker
Flip / Mirror	Off / On, Hallway View : 90°/270°
Intelligent video analytics	Motion detection (with metadata), Tampering, Defocus detection
Alarm I/O	Input 1ea / Output 1ea
Alarm Triggers	Motion detection, Tampering, SD card error, NAS error, Defocus detection, Alarm input
Alarm Events	File upload via FTP and E-Mail, Notification Via E-mail, Local storage recording at Event, External output
Pixel Counter	Support (plug-in viewer only)
<b>NETWORK</b>	
Ethernet	RJ-45 (10/100 BASE-T)
Video Compression Format	H.265 / H.264, MJPEG
Resolution	1920 x 1080, 1280 x 1024, 1280 x 960, 1280 x 720, 1024 x 768, 800 x 600, 720 x 576, 720 x 480, 640 x 480, 320 x 240
Max. Framerate	H.265 / H.264 : Max. 30fps at 2M all resolutions, MJPEG : Max. 15fps at all resolutions
Smart Codec	WiseStream
Video Quality Adjustment	H.265 / H.264 : MJPEG : Target bitrate level control, MJPEG : Quality level control
Bitrate Control Method	H.265 / H.264 : CBR or VBR, MJPEG : VBR
Streaming Capability	Multiple streaming (Up to 3 profiles)
Audio In	Line in, Max output level : 1Vrms Supply voltage : 2.5V DC (4mA), Input impedance : approx. 2K Ohm
Audio Out	Line out, Max output level : 1 Vrms
Audio Compression Format	G.711 u-law / G.726 selectable, G.726 (ADPCM) 8KHz, G.711 8KHz, G.726 : 16Kbps, 24Kbps, 32Kbps, 40Kbps
Audio Communication	Bi-directional (2-Way)
IP	IPv4, IPv6
Protocol	TCP/IP, UDP/IP, RTP(UDP), RTP(TCP), RTCP, RTSP, NTP, HTTP, HTTPS, SSL/TLS, DHCP, PPPoE, FTP, SMTP, ICMP, IGMP, SNMPv1/v2c/v3(MIB-2), ARP, DNS, DDNS, QoS, UPnP, Bonjour
Security	HTTPS (SSL) Login authentication, Digest login authentication IP address filtering, User access log, 802.1X authentication
Streaming Method	Unicast / Multicast
Max. User Access	6 Users at unicast mode
Edge Storage	Micro SD/SDHC/SDXC (Max. 128GB) - Motion images recorded in the SD memory card can be downloaded. - Manual recording at local PC NAS (Network Attached Storage)
Application Programming Interface	ONVIF profile S/G, SUNAPI (HTTP API)
Webpage Language	English, French, German, Spanish, Italian, Chinese, Russian, Japanese, Swedish, Portuguese, Turkish, Polish, Czech, Dutch, Hungary, Greek
Web Viewer	Supported OS : Windows 7, 8.1, 10, Mac OS X 10.9, 10.10, 10.11 Plug-in Free WebViewer - Supported browser : Google Chrome 47, MS Edge 20 Plug-in WebViewer - Supported browser : MS Explore 11, Mozilla Firefox 43, Apple Safari 9 * Mac OS X only
Central Management Software	SmartViewer, SSM
<b>ENVIRONMENTAL</b>	
Operating Temperature / Humidity	-10°C ~ +55°C (+14°F ~ +131°F) / Less than 90% RH
Storage Temperature / Humidity	-30°C ~ +60°C (-22°F ~ +140°F) / Less than 90% RH
<b>ELECTRICAL</b>	
Input Voltage / Current	12V DC, PoE (IEEE802.3af, Class3)
Power Consumption	Max. 5.7W (PoE), Max. 4.5W (12V DC)
<b>MECHANICAL</b>	
Color / Material	Ivory / Plastic
Dimensions (WxHxD)	73.8 x 66.6 x 139.8mm (2.91" x 2.62" x 5.50")
Weight	298g (0.66 lb)

\* Data recorded on an SD memory card may be lost or damaged by data access during power-off, mechanical shock, memory card detachment, or other operations. Data loss or damage can also occur when a memory card reaches end of life, which varies according to operational conditions. No guarantee is given against damage (including passive damage).

\* The latest product information / specification can be found at [hanwha-security.com](http://hanwha-security.com)

\* Design and specifications are subject to change without notice.

\* Wisenet is the proprietary brand of **Hanwha Techwin**, formerly known as Samsung Techwin.