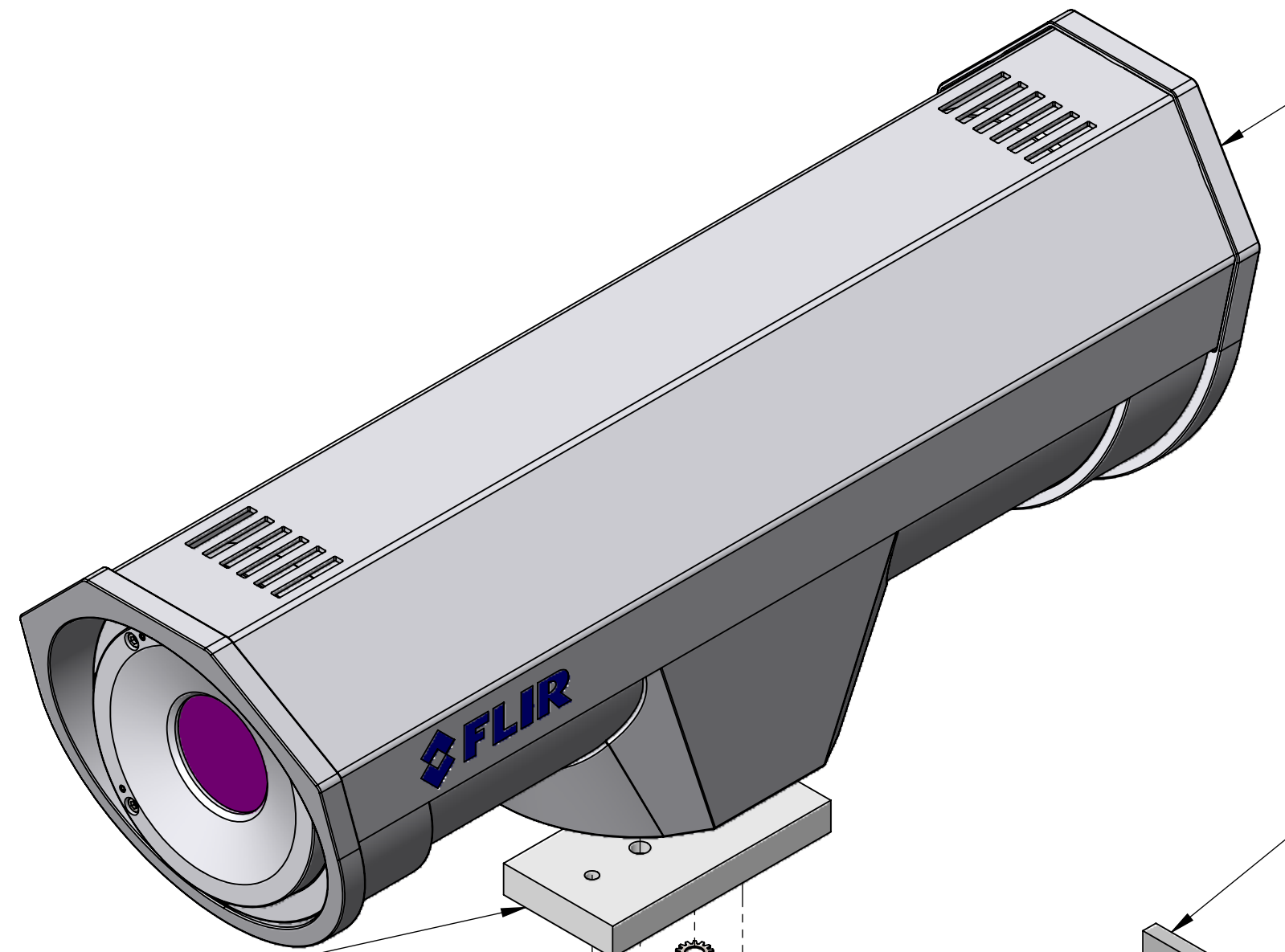
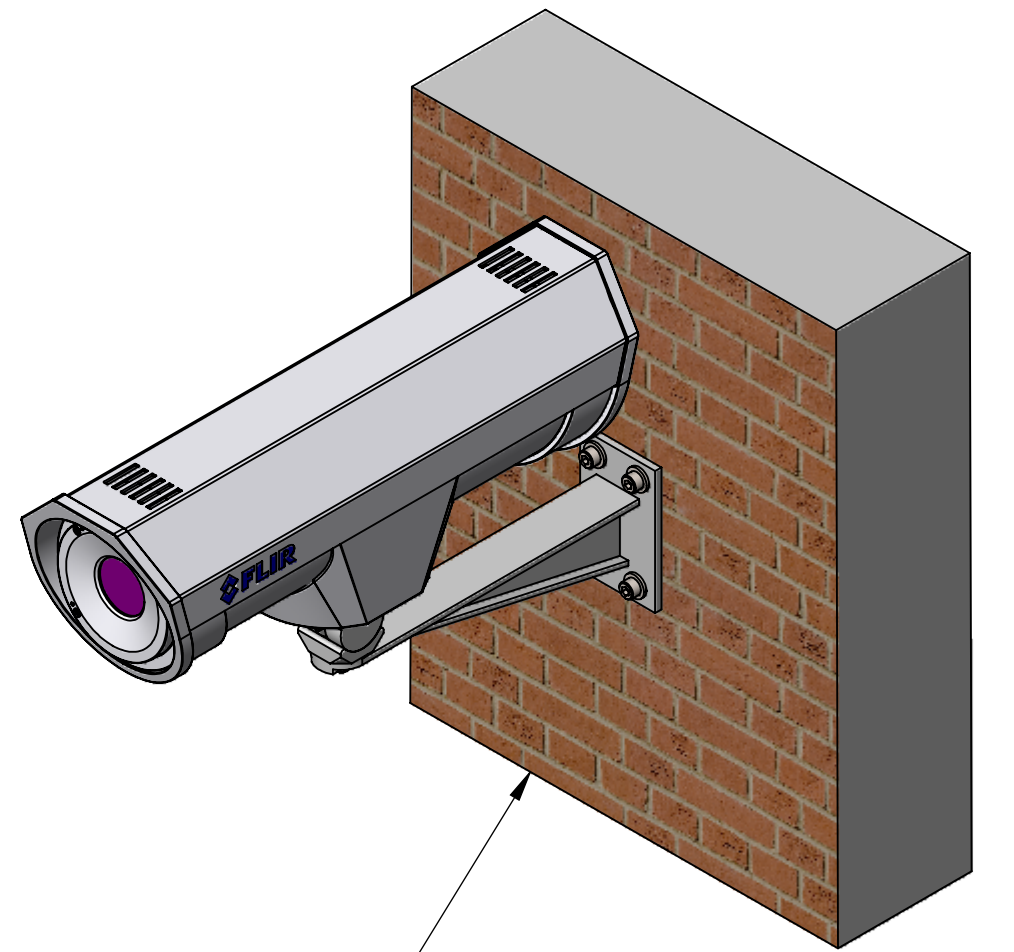
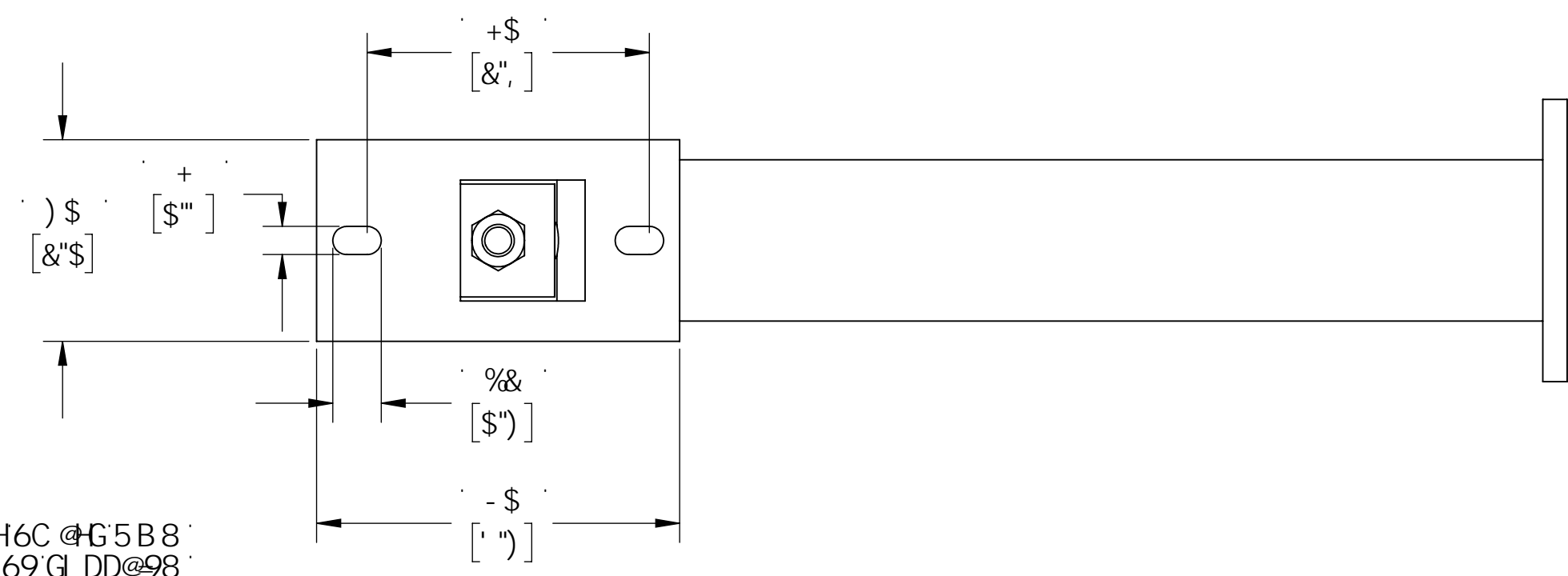


8



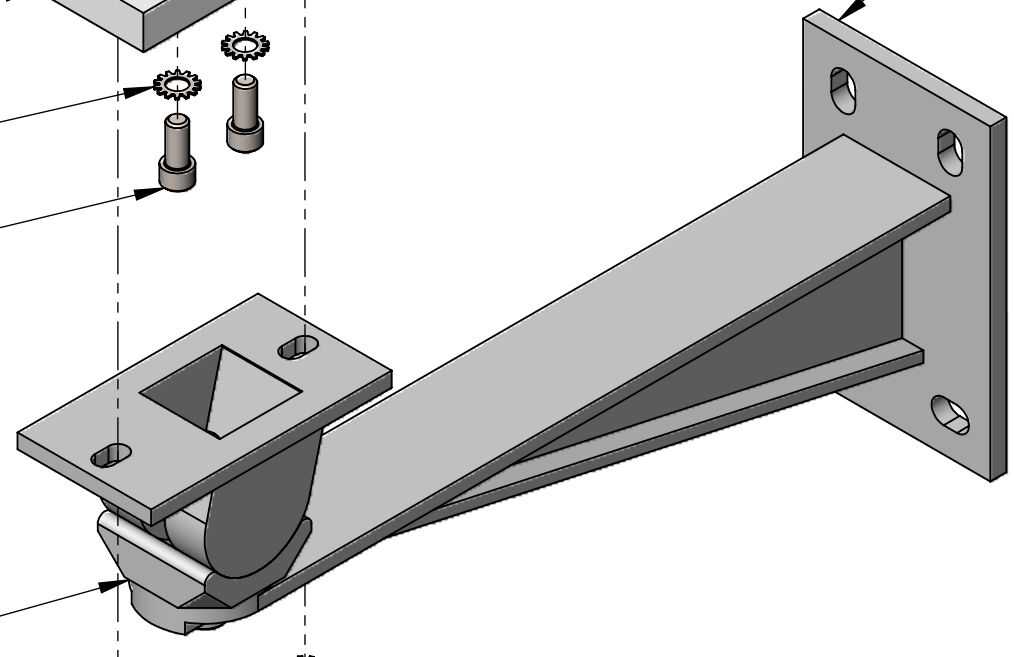
: !G9F-9GDFC 8I 7 H  
F9: 9F 9B 7 9 C B @M



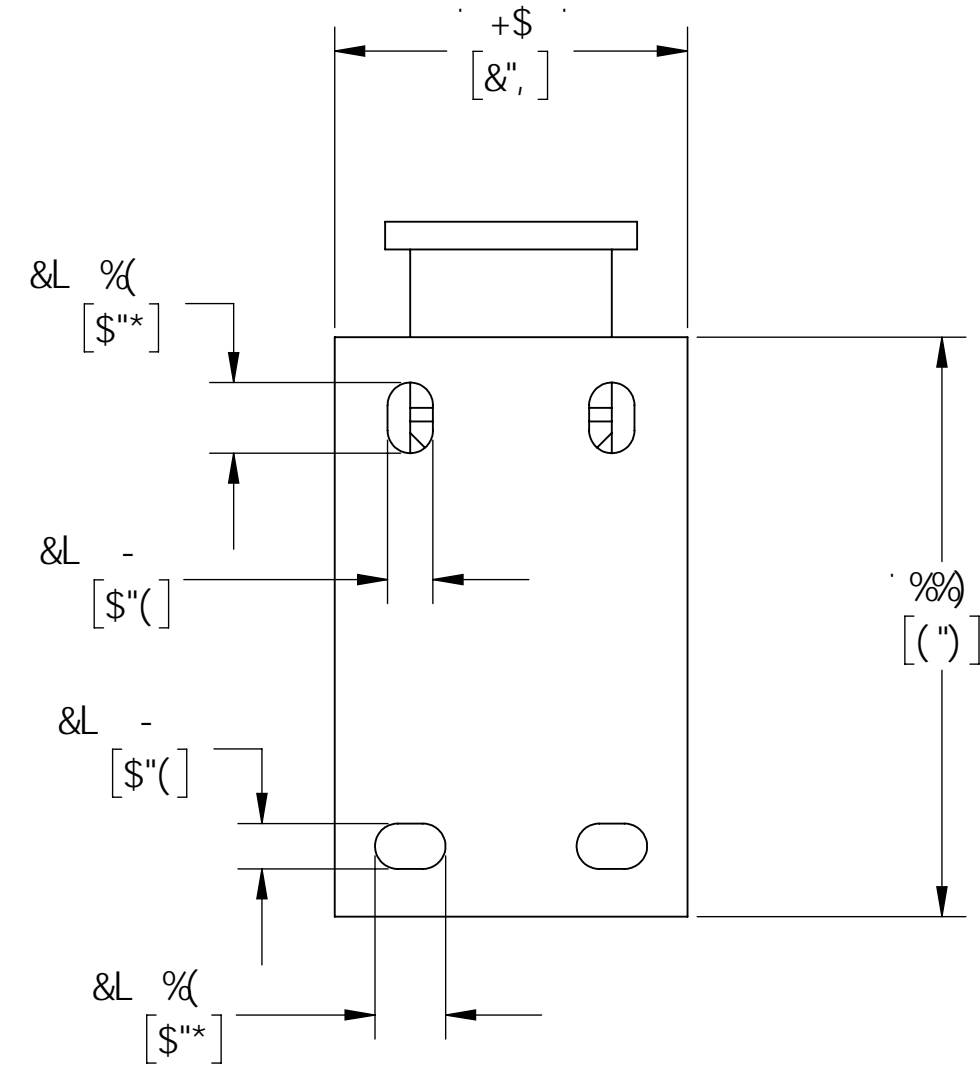
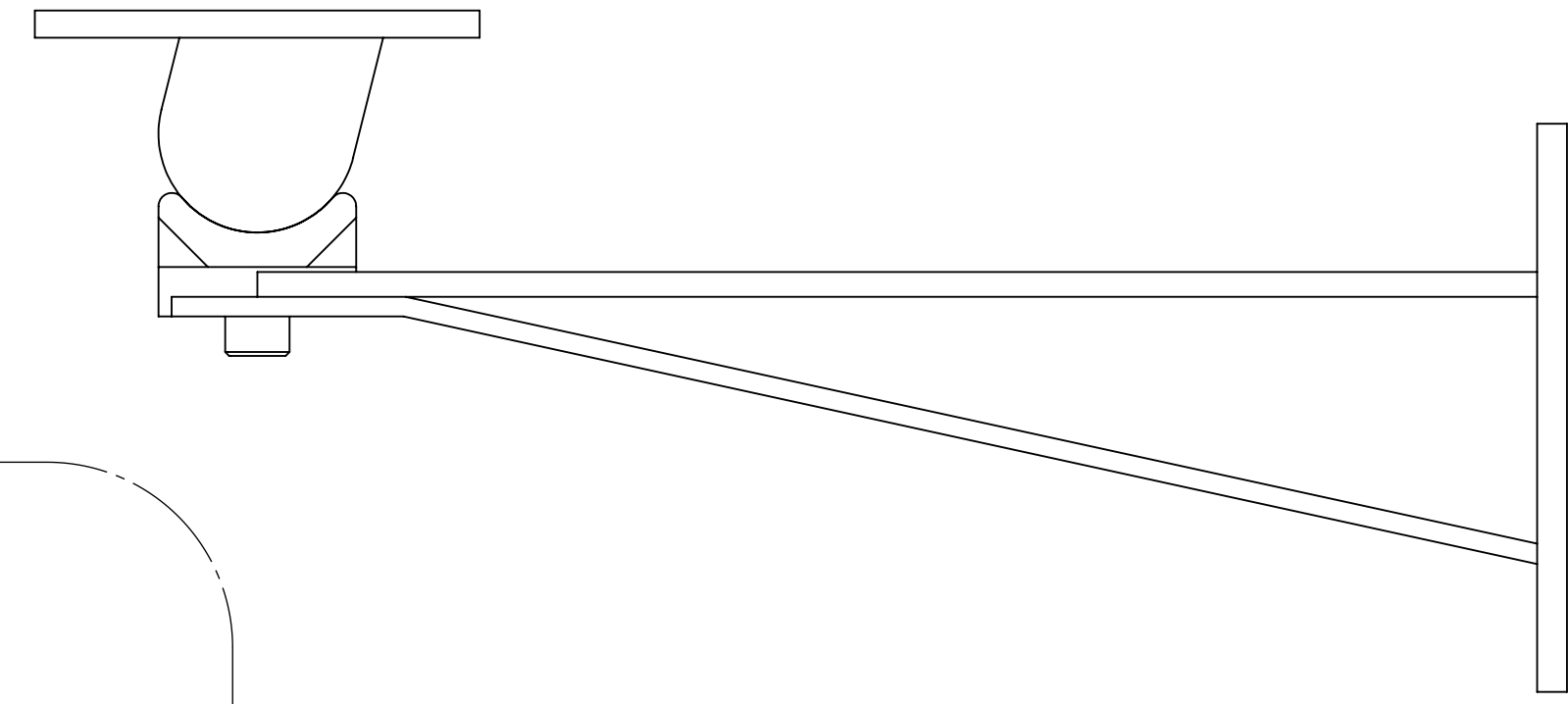
GFI 7 H F9A 5H9F-5@J 5F-9G  
K #k :BGH5@5HC B

7

- & %
- ) &
- \* &

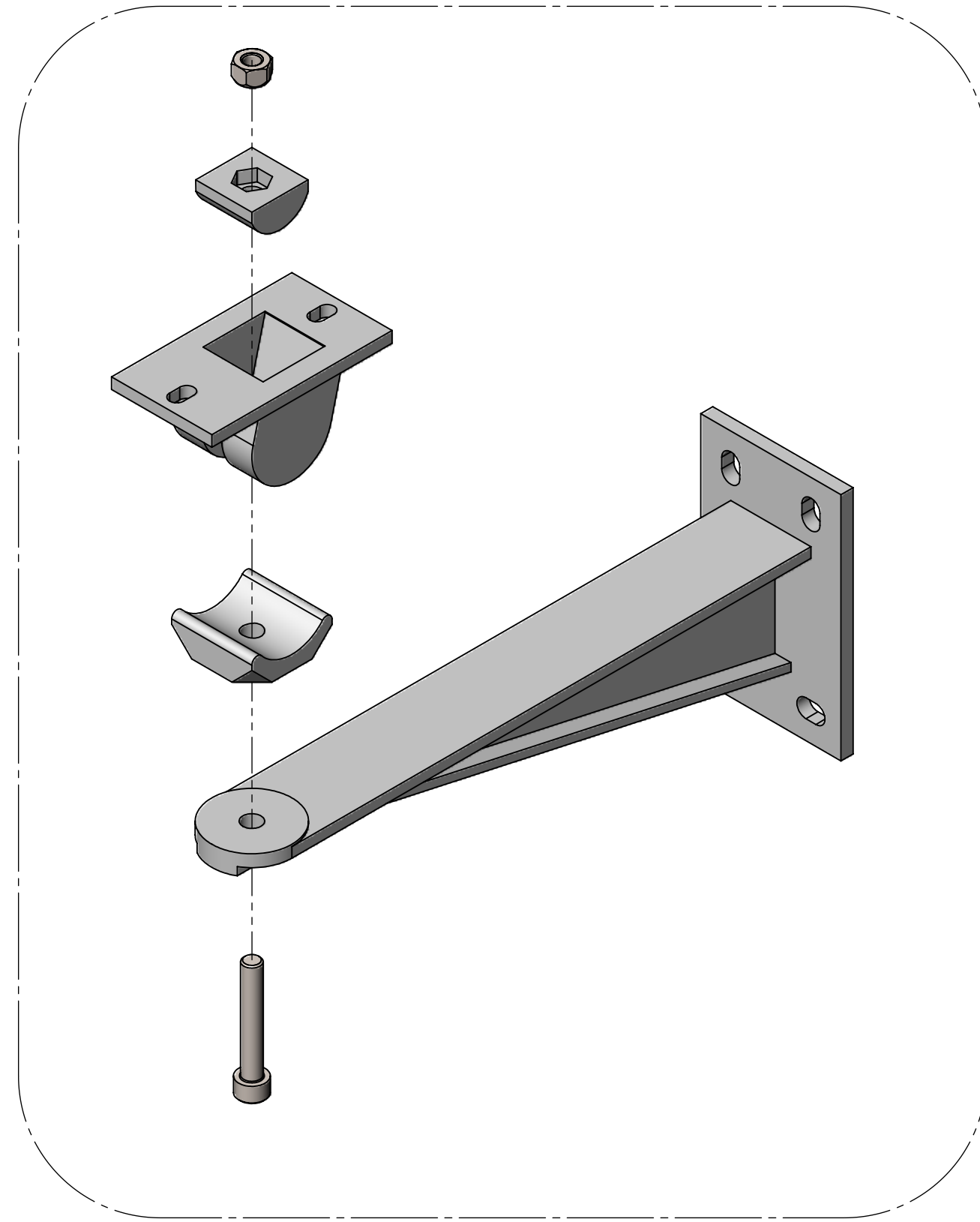


5H57 <A 9BH6C @G5B8  
K 5G< 9FGHC 69G DD@98  
6M71 G-C A 9F QLO



6

- % %
- ' &
- ( &



&		G7 F9K zG<7 Gz%#( 1&\$1 ") * & ) ""@	*
&		K Ug.Yfz9I HfBU""HcH z%#( 1&\$	)
&		G7 F9K zG<7 GZA *1 %a a @	(
&		K Ug.Yfz9I HfBU""HcH zA *	'
%	&*%&, -&\$\$	5XUdHfDi W_L! : !GYfYg	&
%	( & ) * - \$	K U""A ci bh6fUW_Yh! : !GYfYg	%
E HM	D5FHBI A 69F	8 9G7 F-DHC B	#9A

5

K U""A ci bh5ggm! : !GYfYg  
fDB ) \$\$!%&'!\$\$  
-BGH5@5HC B

5@@<5F8K 5F9G<CK B'-B7@ 898K #k :6cA #9A Bc""%  
f( & ) \* - \$ K 5@A CI BH6F57?9H! : !G9F-9G

K U""A ci bh5 gg m  
: !GYfYg

METRIC

DFCDF-9H5 FM! : @F'GMGH9 A Gz-B7 "

VP@OUOWT @PVA@UPVUUSO@AUAS@A@OPBU@UOY@OX@S@P@P@UT @P@OU@P@O@P@V@  
OU@WT @P@VA@OU@V@OU@U@A@O@W@S@AU@U@O@V@U@P@V@U@S@O@AU@U@O@Y@U@U@V@A@P@O@Y@U@U@A  
@BT @P@V@U@O@P@A@O@W@S@P@A@O@U@U@P@A@U@V@U@Y@A@U@A@S@Y @A@U@U@P@O@O@E  
W@U@O@U@Y@T @P@V@U@O@U@T @O@O@W@P@U@U@Z@V@P@A@U@V@U@O@W@O@A@U@U@A@U@O@Y@U@U@V@A@U@U@P@O@O@U@A  
@U@O@P@A@O@U@U@P@A@U@A@U@U@P@O@U@V@P@O@U@Y @O@A@U@U@P@O@O@E

FLIR	SIZE D	CAGE 064Y2	PIECE PART )\$\$!%&'!\$\$	REV 5
SCALE %)		PRINTED: )#&-#&\$\$%	SHEET + OF %	

SOLIDWORKS MODEL: 500-1123-00 Wall Mount Assy - F-Series  
MODEL REVISION: 5

DWG NO. )\$\$!%&'!\$\$ SH 7 REV 5

5