

ET8122PpH-S-DR

Hardened Unmanaged 8-port 10/100Base-TX (PoE+) + 2-port 10/100/1000Base-TX/SFP Combo Ethernet Switch



Features

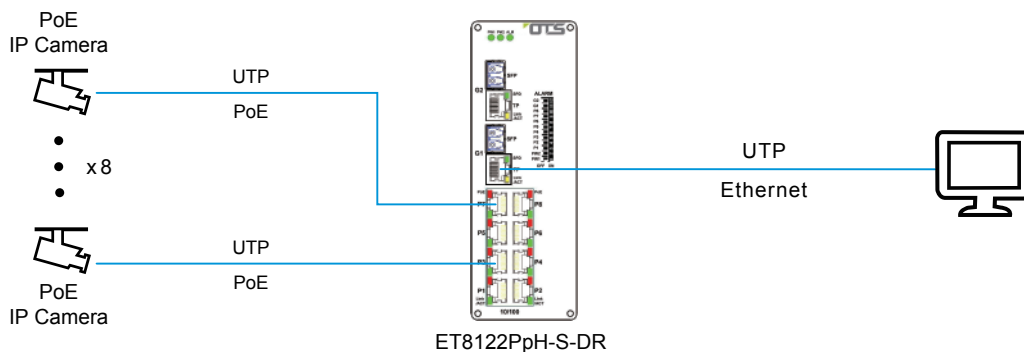
- ▶ 8 10/100Base-TX + 2 10/100/1000Base-TX/SFP Combo with PoE+
- ▶ Support IEEE802.3at PoE+ (30W per port)
- ▶ RJ45 Port Supports 10/100Mbps-Full/Half-duplex, Auto-negotiation, Auto MDI/MDIX
- ▶ Combo RJ45 Port Supports 10/100/1000Mbps-Full/Half-duplex, Auto-negotiation, Auto MDI/MDIX
- ▶ Supports external SFP
- ▶ Supports 802.3x Flow control
- ▶ Support 8K MAC addresses
- ▶ 1M bits frame buffer memory
- ▶ Supports Relay output for Power and Port failure
- ▶ Redundant Power Inputs
- ▶ Supports DIN-Rail and Wall-mount installation
- ▶ Environmentally hardened
-40°C to 75°C (-40°F to 167°F) operating temperature



Warranty

- ▶ 5-Year Warranty

Typical Application



Specifications

Ethernet

Standards	IEEE802.3 10Base-T IEEE802.3u 100Base-TX IEEE802.3ab 1000Base-T IEEE802.3z 1000Base-X IEEE802.3af/at Power over Ethernet
Processing Type	Store-and-Forward
Switch Fabric	5.6 Gbps
Forward Filter Rate	14,880pps (10Mbps) 148,800pps (100Mbps) 1,488,000pps (1000Mbps)
Packet Buffer Memory	1 Mbit
Max Packet Length	1522 Bytes
Address Table Size	8K MAC Addresses
Connector	10 x RJ45
Optical Port	2 x SFP 1000Base-FX

Electrical and Mechanical

Input Power	48~57VDC, Redundant Power Input (6-pin Terminal Block)
-------------	---

Specifications

Power Consumption	Max. 253W
LED Indicators	
Power	Power Status
Ethernet (per port)	Link/Activity, Speed
SFP (per port)	Link, Activity
Dimensions (W x D x H)	59 x 120.5 x 165 mm
Weight	0.9 Kg
Casing	Aluminum Case
Mounting options	DIN Rail / Wall Mount

Environmental

Operating Temperature	-40°C to 75°C (-40°F to 167°F)
Storage Temperature	-40°C to 85°C (-40°F to 185°F)
Relative Humidity	5% to 95% non-condensing
MTBF	> 200,000 hrs

Regulatory Approvals

ISO9001, CE, FCC, RoHS

EMI

EN55022:2010+AC: 2011, Class A

EN 61000-3-2: 2006+A1: 2009+A2: 2009

EN 61000-3-3: 2013

EN55024:2010

EMS

IEC 61000-4-2: 2008 (ESD)

IEC 61000-4-3: 2010 (RS)

IEC 61000-4-4: 2012 (EFT)

IEC 61000-4-5: 2014 (Surge)

IEC 61000-4-6: 2013 (CS)

IEC 61000-4-8: 2009 (PFMF)

Ordering Information

Available Model	Description
-----------------	-------------

ET8122PpH-S-DR	Hardened Unmanaged 8-port 10/100Base-TX (PoE+) + 2-port 10/100/1000Base-TX/SFP Combo Ethernet Switch
-----------------------	--

Optional Accessories (to be purchased separately)

SFP (S)=SFP Option. Please select your SFP on our SFP Modules page at the back of the catalogue or our website www.ot-systems.com for details.

Power supply Please refer to the power supply information at the back of the catalogue, our website www.ot-systems.com, or consult OTS sales at sales@ot-systems.com for your power system design properly.

Package Checklist

■ Unmanaged PoE Switch	x 1
■ Wall Mount plates	x 1
■ Din Rail Clip	x 1
■ Quick Installation Guide	x 1



OT Systems Ltd., January 2016

Due to continuous improvement, all product specifications are subject to change without further notice.