

ET2281 Series

Hardened / Industrial Unmanaged 8-port 100Base-FX SFP + 2-port 10/100/1000Base-TX/SFP Combo Optical Ethernet Switch



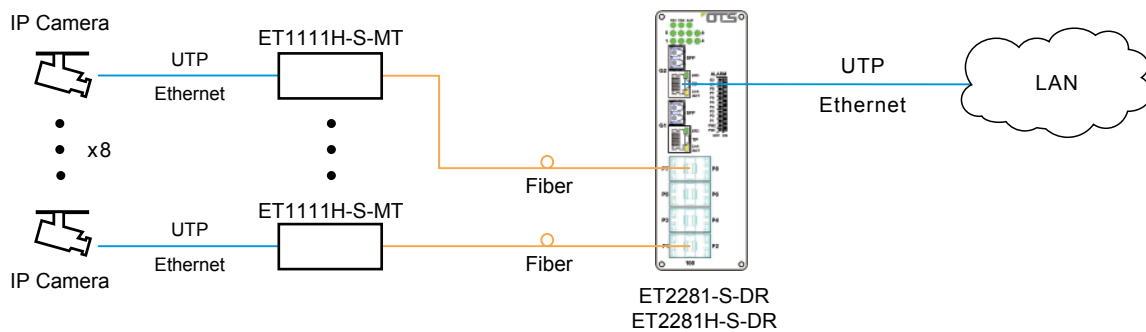
Features

- ▶ 8 100Base-FX SFP + 2 10/100/1000Base-TX/SFP Combo
- ▶ Combo RJ45 Port Supports 10/100/1000Mbps Full/Half-duplex, Auto-negotiation, Auto MDI/MDI-X
- ▶ Supports external SFP
- ▶ Supports 802.3x Flow control
- ▶ Supports 8K MAC address
- ▶ 1M bits frame buffer memory
- ▶ Supports Relay output for Power and Port failure
- ▶ Redundant Power Inputs
- ▶ Supports DIN-Rail and Wall-mount installation
- ▶ Environmentally Hardened
-40°C to 75°C (-40°F to 167°F) operating temperature

Warranty

- ▶ 5-Year Warranty

Typical Application



Specifications

Ethernet

| | |
|----------------------|--------------------------|
| Standards | IEEE802.3 10Base-T |
| | IEEE802.3u 100Base-TX/FX |
| | IEEE802.3ab 1000Base-T |
| | IEEE802.3z 1000Base-X |
| Processing Type | Store-and-forward |
| Switch Fabric | 5.6 Gbps |
| Forward Filter Rate | 14,880pps (10Mbps) |
| | 148,800pps (100Mbps) |
| | 1,488,000pps (1000Mbps) |
| Packet Buffer Memory | 1M bit |
| Max. Packet Length | 1522 Bytes |
| Address Table Size | 8K MAC Addresses |
| Connector | 2 x RJ45 |
| Optical Port | 10 x SFP |

Electrical and Mechanical

| | |
|-------------------|--|
| Input Power | 12~48 VDC, Redundant Power (6-pin Terminal Block) |
| Power Consumption | Max. 7W (System no-load) |
| | Max. 13W (System Full-load) |

Specifications

| | |
|------------------------|---------------------------------------|
| LED Indicators | |
| Power | Power Status |
| Ethernet (Per Port) | LINK/Activity, Speed |
| SFP (Per Port) | LINK/Activity |
| Dimensions (W x D x H) | 59 × 120.5 × 165 mm |
| Weight | 0.9 Kg |
| Casing | Aluminum case |
| Mounting Options | Din Rail, Wall Mount bracket included |

Environmental

| | |
|--------------------------|--|
| Operation Temperature | |
| ET2281-S-DR (Industrial) | -10°C to 60°C (14°F to 140°F) |
| ET2281H-S-DR (Hardened) | -40°C to 75°C (-40°F to 167°F) (cold startup at -40°C) |
| Storage Temperature | -40°C to 85°C (-40°F to 185°F) |
| Relative Humidity | 5% to 95% non-condensing |
| MTBF | > 300,000 hrs |

Regulatory Approvals

ISO9001, CE, FCC, RoHS
 EMI
 EN55022:2010+AC: 2011, Class A
 EN 61000-3-2: 2006+A1: 2009+A2: 2009
 EN 61000-3-3: 2013
 EN55024:2010
 EMS
 IEC 61000-4-2: 2008 (ESD)
 IEC 61000-4-3: 2010 (RS)
 IEC 61000-4-4: 2012 (EFT)
 IEC 61000-4-5: 2014 (Surge)
 IEC 61000-4-6: 2013 (CS)
 IEC 61000-4-8: 2009 (PFMF)

Ordering Information

| Available Model | Description |
|---------------------|--|
| ET2281-S-DR | Industrial Unmanaged 8-port 100Base-FX SFP + 2-port 10/100/1000Base-TX/SFP Combo Optical Ethernet Switch |
| ET2281H-S-DR | Hardened Unmanaged 8-port 100Base-FX SFP + 2-port 10/100/1000Base-TX/SFP Combo Optical Ethernet Switch |

Optional Accessories (to be purchased separately)

| | |
|---------------------|---|
| SFP | (S)=SFP Option. Please select your SFP on our SFP Modules page at the back of the catalogue or our website www.ot-systems.com for details. |
| Power supply | Please refer to the power supply information at the back of the catalogue, our website www.ot-systems.com , or consult OTS sales at sales@ot-systems.com for your power system design properly. |

Package Checklist

| | |
|----------------------------|-----|
| ■ Unmanaged Network Switch | x 1 |
| ■ Wall Mount Plates | x 1 |
| ■ Din Rail Clip | x 1 |
| ■ Quick Installation Guide | x 1 |



OT Systems Ltd., Oct 2015

Due to continuous improvement, all product specifications are subject to change without further notice.