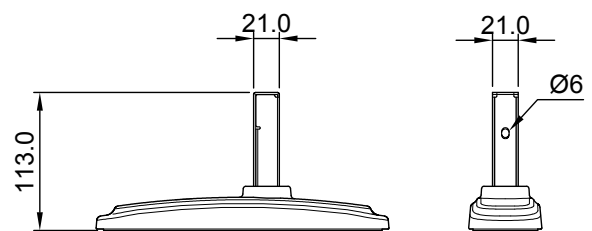
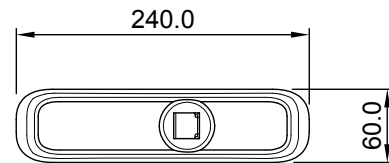
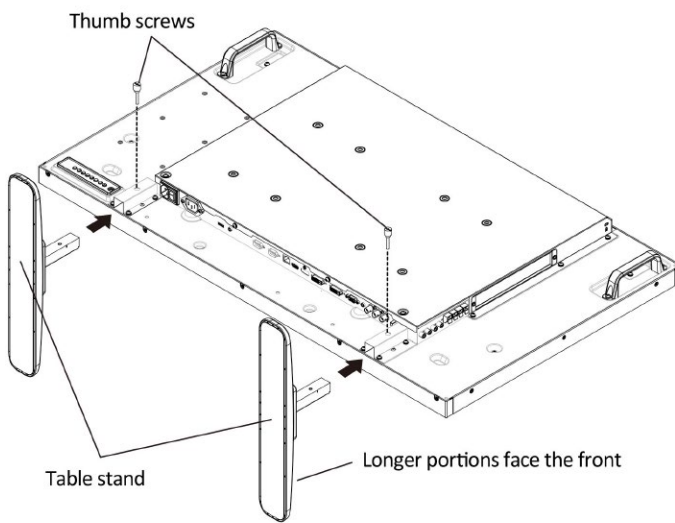


# STD-09

Stand for the AG Neovo Large Format Displays



## Specifications

Exterior	Material Colour	Metal & Plastic Black
Dimensions	Product (W x H x D)/ Per Piece Packaging (W x H x D)/ Per Set	240.0 x 113.0 x 60.0 mm (9.4" x 4.4" x 2.4") 290.0 x 90.0 x 93.0 mm (11.4" x 3.5" x 3.7")
Weight	Net Weight Gross Weight	1.3 kg (2.8 lb) 1.5 kg (3.3 lb)
Stand Package		Stand (x 2), Thumb screw M4 x L25 (x 2)
Compatible Models		RX-32E, HX-32E