

# TNV-7010RC

3M H.265 NW Corner Mount Camera

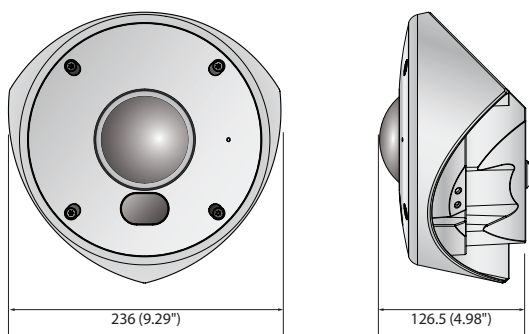


## Key Features

- Max. 3Megapixel (2048 x 1536) resolution
- Max. 30fps @ all resolutions (H.265/H.264/MJPEG)
- 0.3 lux @ F2.0 (Color), 0 lux @ F2.0 (B/W)
- Built-in 2.8mm fixed lens
- H.265, H.264, MJPEG codec support, Multiple streaming
- Day & Night, WDR (120dB)
- Video & audio analytics, Shock detection
- microSD/SDHC/SDXC memory slot (Max. 256GB)
- Hallway view, WiseStream II support
- PoE, DC 12V, IK10+

## Dimensions

Unit : mm (inch)



TNV-7010RC	
<b>VIDEO</b>	
Imaging Device	1/2.8" 3.2M CMOS
Total Pixels	2065(H) x 1565(V)
Effective Pixels	2065(H) x 1553(V)
Scanning System	Progressive Scan
Min. Illumination	Color : 0.3 lux (F2.0, 1/30sec) / B/W : 0 lux (F2.0, 1/30sec)
S/N Ratio	50dB
Video Out	CVBS : 1.0 Vp-p / 75Ω composite, 720 x 480(N), 720 x 576(P), for installation
<b>LENS</b>	
Focal Length (Zoom Ratio)	2.8mm Fixed
Max. Aperture Ratio	F2.0
Angular Field of View	H: 102°, V:75°, D: 129°
Min. Object Distance	0.4m
Focus Control	Manual
Lens Type	Fixed
Mount Type	Board-in type
<b>PAN / TILT / ROTATE</b>	
Pan / Tilt / Rotate range	0° / ±15° / 0°
<b>OPERATIONAL</b>	
IR Viewable Length	10m (32.8ft) with 940nm IR LED
Camera Title	Off / On (Displayed up to 85 characters) - W/W : English / Numeric / Special characters - China : English / Numeric / Special / Chinese characters - Common : Multi-line (Max. 5), Color (Grey / Green / Red / Blue / Black / White), Transparency, Auto scale by resolution
Day & Night	Auto (ICR) / Color / B/W / External / Schedule
Backlight Compensation	Off / BLC / HLC (Masking/Dimming), WDR
Wide Dynamic Range	120dB
Contrast Enhancement	SSDR (Off / On)
Digital Noise Reduction	SSNR5 (2D+3D noise filter) (Off / On)
Digital Image Stabilization	Off / On
Defog	Auto / Manual / Off
Motion Detection	Off / On (8ea, 8point polygonal zones), Handover
Privacy Masking	Off / On (32ea, polygonal zones) - Color : Grey / Green / Red / Blue / Black / White - Mosaic
Gain Control	Off / Low / Middle / High
White Balance	ATW / AWC / Manual / Indoor / Outdoor (Included Mercury & Sodium)
Contrast	Level adjustment
LDC	Off / On (5 levels with Min./Max.)
Electronic Shutter Speed	Minimum / Maximum / Anti flicker (2 ~ 1/12,000sec)
Digital PTZ	24X, Digital PTZ (Preset, Group)
Flip / Mirror	On / Off, Hallway view : 90°/270°
Video & Audio Analytics	Tampering, Loitering, Directional detection, Defocus detection, Fog detection, Virtual line, Enter/Exit, Appear/Disappear, Audio detection, Face detection, Motion detection, Digital auto tracking, Sound classification, Shock detection
Alarm I/O	Input 1ea / Output 1ea
Alarm Triggers	Alarm input, Motion detection, Video & Audio analytics, Network disconnect
Alarm Events	File upload via FTP & E-Mail, Notification via E-Mail, Local storage (SD/SDHC/SDXC) or NAS recording at event triggers, External output, DPTZ preset
Audio In	Selectable (Mic in/Line In), Built-in MIC
Audio out	Supply voltage: 2.5VDC (4mA), Input impedance: approx. 2K Ohm
Pixel Counter	Line out, Max output level: 1 Vrms
Support	Support
<b>NETWORK</b>	
Ethernet	RJ-45 (10/100BASE-T)
Video Compression Format	H.265 / H.264 (MPEG-4 Part 10/AVC) : Main / Baseline / High , Motion JPEG
Resolution	2048x1536, 1920x1080, 1600x1200, 1280x1024, 1280x960, 1280x720, 1024x768, 800x600, 800x448, 720x576, 720x480, 640x480, 640x360, 320x240
Max. Framerate	H.265/H.264/MJPEG : Max. 30fps at all resolutions
Smart Codec	Manual mode (Area-based : 5ea)
WiseStream II	Support
Video Quality Adjustment	H.265/H.264/MJPEG : Target Bitrate Level Control
Bitrate Control Method	H.265/H.264 : CBR or VBR / MJPEG : VBR
Streaming Capability	Multiple streaming (Up to 10 profiles) G.711 u-law / G.726 / AAC-LC Selectable G.726 (ADPCM) 8KHz, G.711 8KHz G.726 : 16Kbps, 24Kbps, 32Kbps, 40Kbps AAC-LC : 48Kbps at 8/16/32/48KHz
Audio Compression Format	Bi-directional (2-way)
Audio Communication	IPV4, IPV6
IP	TCP/IP, UDP/IP, RTP(UDP), RTP(TCP), RTCP, RTSP, NTP, HTTP, HTTPS, SSL/TLS, DHCP, PPPoE, FTP, SMTP, ICMP, IGMP, SNMPv1/v2c/v3(MIB-2), ARP, DNS, DDNS, QoS, PIM-SM, UPnP, Bonjour
Protocol	HTTPS (SSL) login authentication, Digest login authentication, IP address filtering, User access log, 802.1X Authentication (EAP-TLS, EAP-LEAP)
Security	Unicast / Multicast
Streaming Method	20 users at unicast mode
Max. User Access	microSD/SDHC/SDXC 1 slot (up to 256 GB) - Motion Images recorded in the SD/SDHC/SDXC memory card can be downloaded. NAS (Network Attached Storage) Local PC for instant recording
Edge Storage	ONVIF Profile S/G, SUNAPI (HTTP API), Open Platform
Application Programming Interface	English, Korean, Chinese, French, Italian, Spanish, German, Japanese, Russian, Swedish, Portuguese, Czech, Polish, Turkish, Dutch, Hungarian, Greek
Webpage Language	Supported OS : Windows 7, 8.1, 10, Mac OS X 10.10, 10.11, 10.12 Recommended Browser : Google Chrome Supported Browser : IE11, MS Edge, Mozilla Firefox (Windows 64bit only), Apple Safari 10 (Mac OS X only)
Web Viewer	SmartViewer, SSM
Central Management Software	SmartViewer, SSM
<b>ENVIRONMENTAL</b>	
Operating Temperature / Humidity	-10°C ~ +55°C (+14°F ~ +131°F) / Less than 90% RH
Storage Temperature / Humidity	-50°C ~ +60°C (-58°F ~ +140°F) / Less than 90% RH
Ingress Protection	IP66, IP6K9K
Vandal Resistance	IK10+ (50J)
<b>ELECTRICAL</b>	
Input Voltage / Current	DC 12V, PoE (IEEE802.3af, Class3)
Power Consumption	Max. 11W (DC 12V), Max. 12W (PoE)
<b>MECHANICAL</b>	
Color / Material	White / Aluminum
Dimension (WxHxD)	236 x 236 x 126.5mm (9.29" x 9.29" x 4.98")
Weight	2.2kg (4.85lb)

\* The latest product information / specification can be found at [hanwha-security.com](http://hanwha-security.com)  
\* Design and specifications are subject to change without notice.  
\* Wisenet is the proprietary brand of Hanwha Techwin.