

NDA-8000-PLEN Plenum-rated in-ceiling mount kit

www.boschsecurity.com



BOSCH
Invented for life



- ▶ Corrosion-resistant finish
- ▶ Easy installation

Certifications and approvals

Environmental

Fire test UL 2043

Parts included

Quantity	Component
1	Mount kit
4	M6 x 12 mm T25 screw
1	Quick Installation Guide

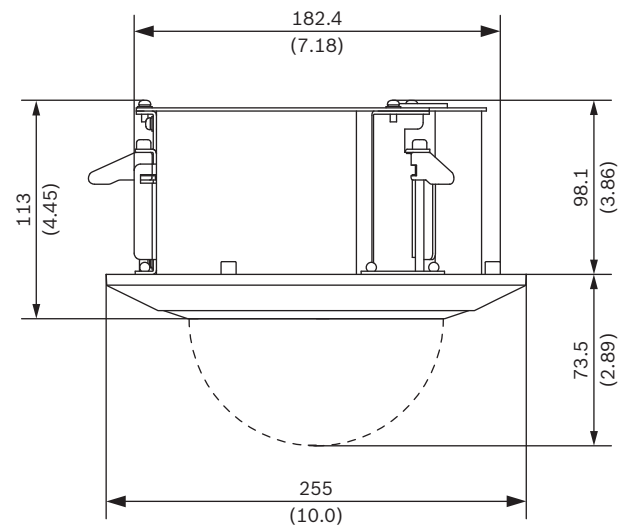
Technical specifications

Mechanical

Dimensions	∅ 230 mm (9.05 in) ceiling hole cutting size Depth: 98.1 mm (3.86 in)
Weight	1520 g (3.35 lb)
Standard Color	White (RAL 9003) (Decoration plate)

Mechanical

Construction Material	Steel; Polycarbonate (Decoration plate)
Mounting	In-ceiling



Dimensions in mm (inch)

Ordering information

NDA-8000-PLEN Plenum-rated in-ceiling mount kit

Plenum-rated in-ceiling mount kit for FLEXIDOME IP 8000i.

Order number **NDA-8000-PLEN**

Represented by:

Europe, Middle East, Africa:
Bosch Security Systems B.V.
P.O. Box 80002
5600 JB Eindhoven, The Netherlands
Phone: + 31 40 2577 284
emea.securitysystems@bosch.com
emea.boschsecurity.com

Germany:
Bosch Sicherheitssysteme GmbH
Robert-Bosch-Ring 5
85630 Grasbrunn
Germany
www.boschsecurity.com

North America:
Bosch Security Systems, Inc.
130 Perinton Parkway
Fairport, New York, 14450, USA
Phone: +1 800 289 0096
Fax: +1 585 223 9180
onlinehelp@us.bosch.com
www.boschsecurity.us

Asia-Pacific:
Robert Bosch (SEA) Pte Ltd, Security Systems
11 Bishan Street 21
Singapore 573943
Phone: +65 6571 2808
Fax: +65 6571 2699
apr.securitysystems@bosch.com
www.boschsecurity.asia